

4

3

2

1

THIS DRAWING IS UNPUBLISHED.

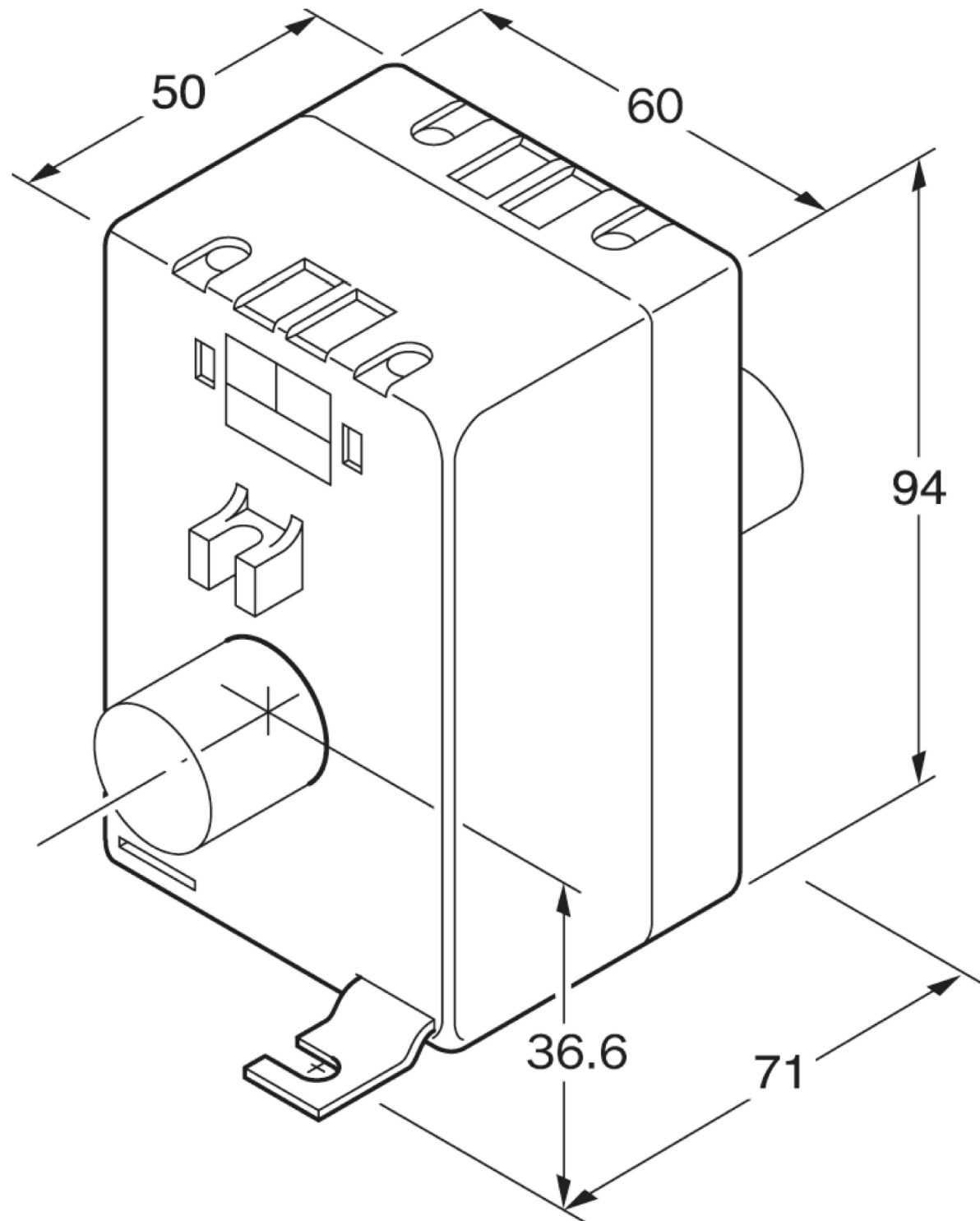
RELEASED FOR PUBLICATION

REVISIONS

© COPYRIGHT - TE Connectivity Ltd.

ALL RIGHTS RESERVED.

P	LTR	DESCRIPTION	DATE	DWN	APVD
	1	NEW LAYOUT	17FEB2020	SG	NJ



THIS DRAWING IS A CONTROLLED DOCUMENT.		DWN SANDEEP G 17FEB2020			
DIMENSIONS: mm		CHK NIGEL JOHNSON 17FEB2020			
		APVD NIGEL JOHNSON 17FEB2020	NAME M65F - EBONY CURRENT TRANSFORMERS		
TOLERANCES UNLESS OTHERWISE SPECIFIED:		PRODUCT SPEC	-		
0 PLC ± -		APPLICATION SPEC	-		
1 PLC ± -		WEIGHT	-		
2 PLC ± -		SIZE	A3	CAGE CODE	00779
3 PLC ± -		DRAWING NO	G=CI-3L45501		RESTRICTED TO
4 PLC ± -		SCALE	NTS		-
ANGLES ± -		SHEET	1 of 1		REV
FINISH		CUSTOMER DRAWING			1