

4

3

2

1

THIS DRAWING IS UNPUBLISHED.

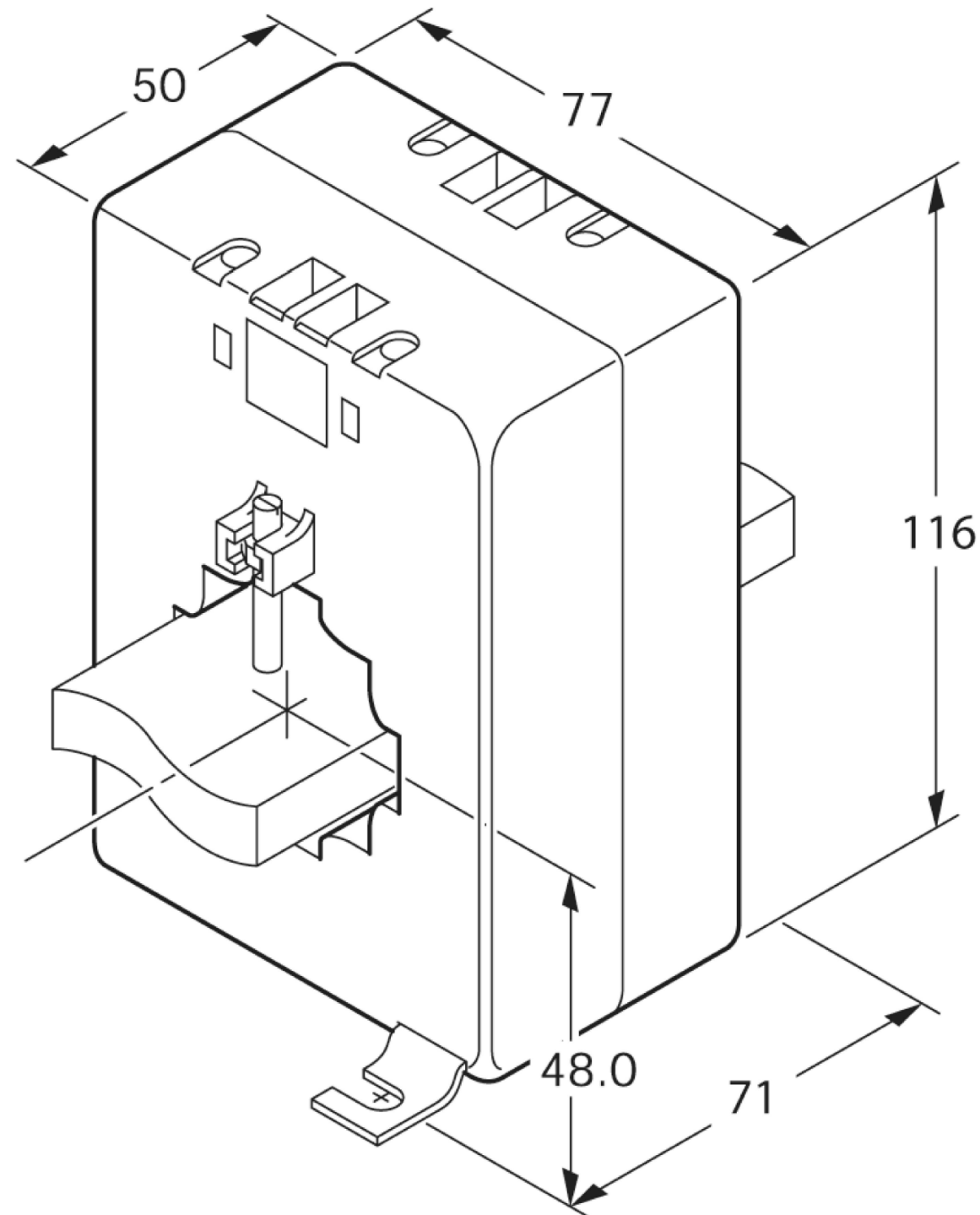
RELEASED FOR PUBLICATION

REVISIONS

© COPYRIGHT - TE Connectivity Ltd.

ALL RIGHTS RESERVED.

P	LTR	DESCRIPTION	DATE	DWN	APVD
	1	NEW LAYOUT	17FEB2020	SG	NJ



THIS DRAWING IS A CONTROLLED DOCUMENT.		DWN	SANDEEP G		17FEB2020
DIMENSIONS:		CHK	NIGEL JOHNSON		17FEB2020
mm	TOLERANCES UNLESS OTHERWISE SPECIFIED:	APVD	NIGEL JOHNSON		17FEB2020
	0 PLC	± -	NAME		
	1 PLC	± -	MA5G - EBONY CURRENT TRANSFORMERS		
	2 PLC	± -	-		
	3 PLC	± -	-		
	4 PLC	± -	-		
	ANGLES	± -	SIZE	CAGE CODE	DRAWING NO
MATERIAL	FINISH	WEIGHT	A3	00779	CI-3L45601
			CUSTOMER DRAWING		RESTRICTED TO
			SCALE	SHEET	REV
			NTS	1 of 1	1

