

THIS DRAWING IS UNPUBLISHED.

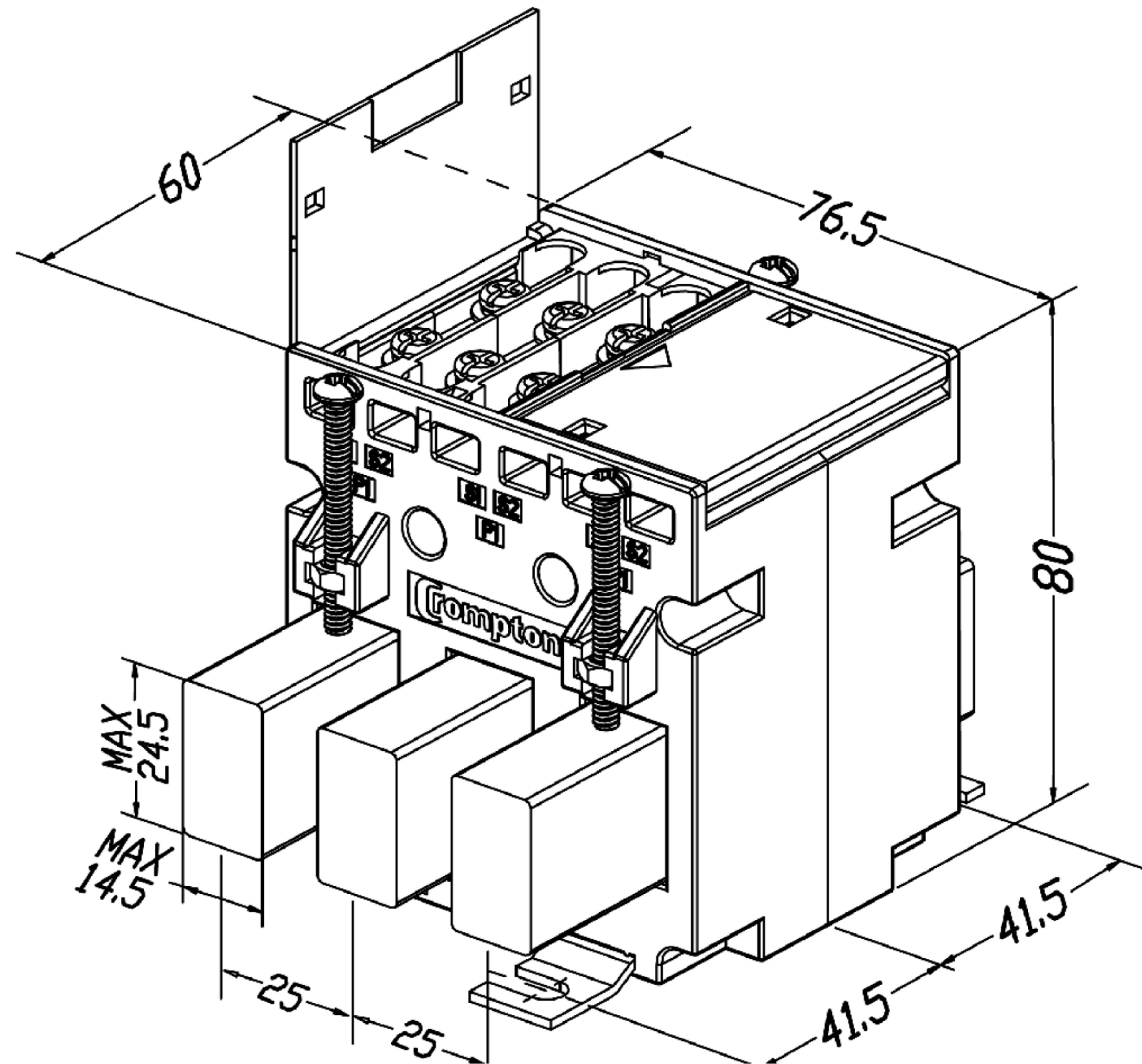
RELEASED FOR PUBLICATION

REVISIONS

© COPYRIGHT - TE Connectivity Ltd.

ALL RIGHTS RESERVED.

P	LTR	DESCRIPTION	DATE	DWN	APVD
1		NEW LAYOUT	17FEB2020	SG	NJ



THIS DRAWING IS A CONTROLLED DOCUMENT.		DWN	SANDEEP G		17FEB2020
DIMENSIONS:		CHK	NIGEL JOHNSON		17FEB2020
mm	TOLERANCES UNLESS OTHERWISE SPECIFIED:	APVD	NIGEL JOHNSON		17FEB2020
	0 PLC	± -	NAME		
	1 PLC	± -	M3N1-25		
	2 PLC	± -	3 IN 1		
	3 PLC	± -	CURRENT TRANSFORMER		
	4 PLC	± -	SIZE		
ANGLES	± -	CAGE CODE			
MATERIAL	FINISH	DRAWING NO			RESTRICTED TO
-	-	A3 00779			-
CUSTOMER DRAWING		SCALE		SHEET	REV
		NTS		1 OF 1	1

