

4

3

2

1

THIS DRAWING IS UNPUBLISHED.

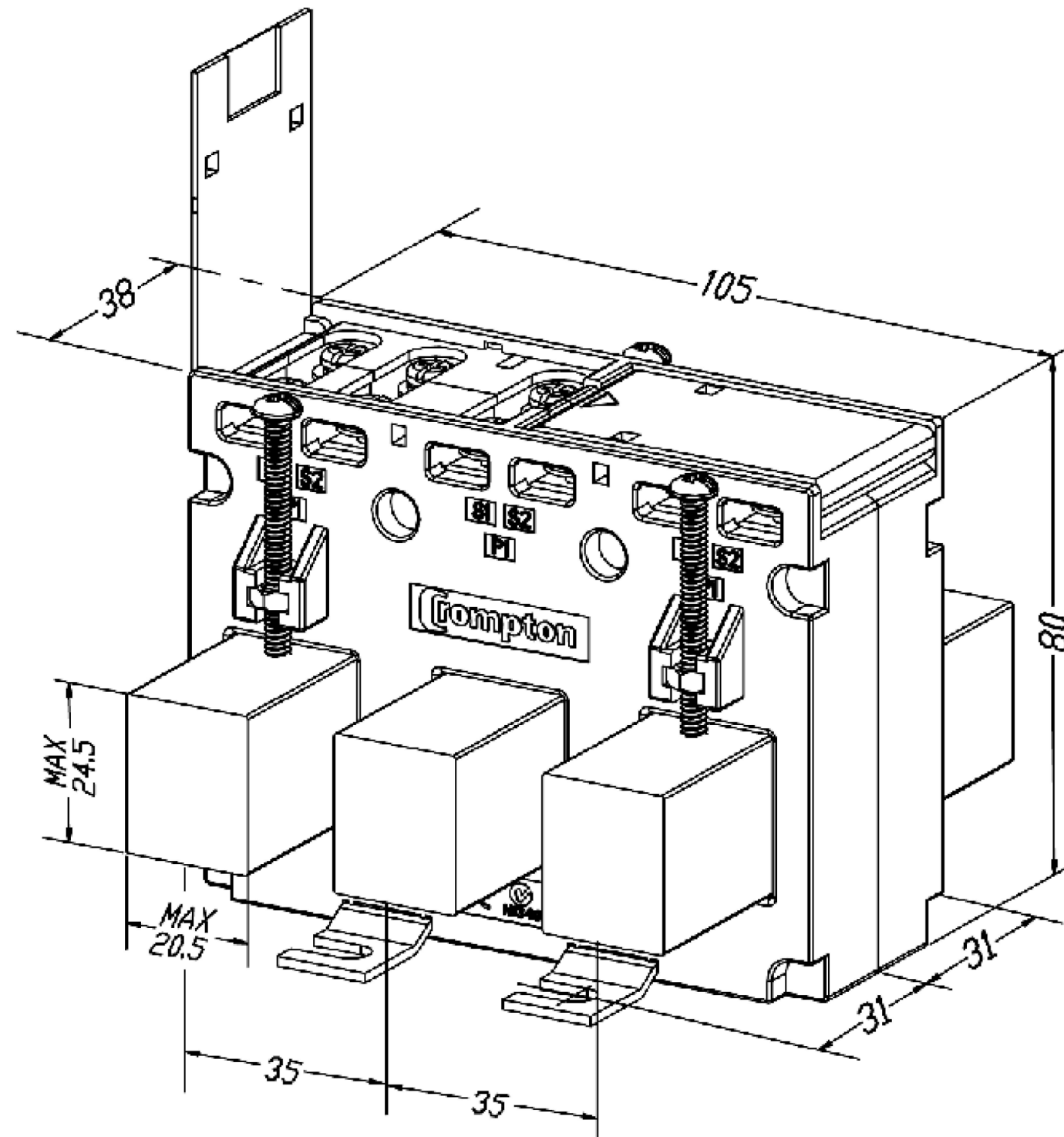
RELEASED FOR PUBLICATION

REVISIONS

© COPYRIGHT - TE Connectivity Ltd.

ALL RIGHTS RESERVED.

P	LTR	DESCRIPTION	DATE	DWN	APVD
1		NEW LAYOUT	17FEB2020	SG	NJ



THIS DRAWING IS A CONTROLLED DOCUMENT.		DWN	SANDEEP G		17FEB2020	
DIMENSIONS:		CHK	NIGEL JOHNSON		17FEB2020	
mm	TOLERANCES UNLESS OTHERWISE SPECIFIED:	APVD	NIGEL JOHNSON		17FEB2020	
	0 PLC	± -	NAME			
	1 PLC	± -	M3N1-35			
	2 PLC	± -	CURRENT TRANSFORMERS			
	3 PLC	± -	SIZE	CAGE CODE	DRAWING NO	RESTRICTED TO
	4 PLC	± -	A3	00779	CI-3L45801	-
ANGLES	± -	CUSTOMER DRAWING				
MATERIAL	FINISH	WEIGHT	SCALE		SHEET	
-	-	-	NTS		1 OF 1	
					REV	
					1	

