

THIS DRAWING IS UNPUBLISHED.

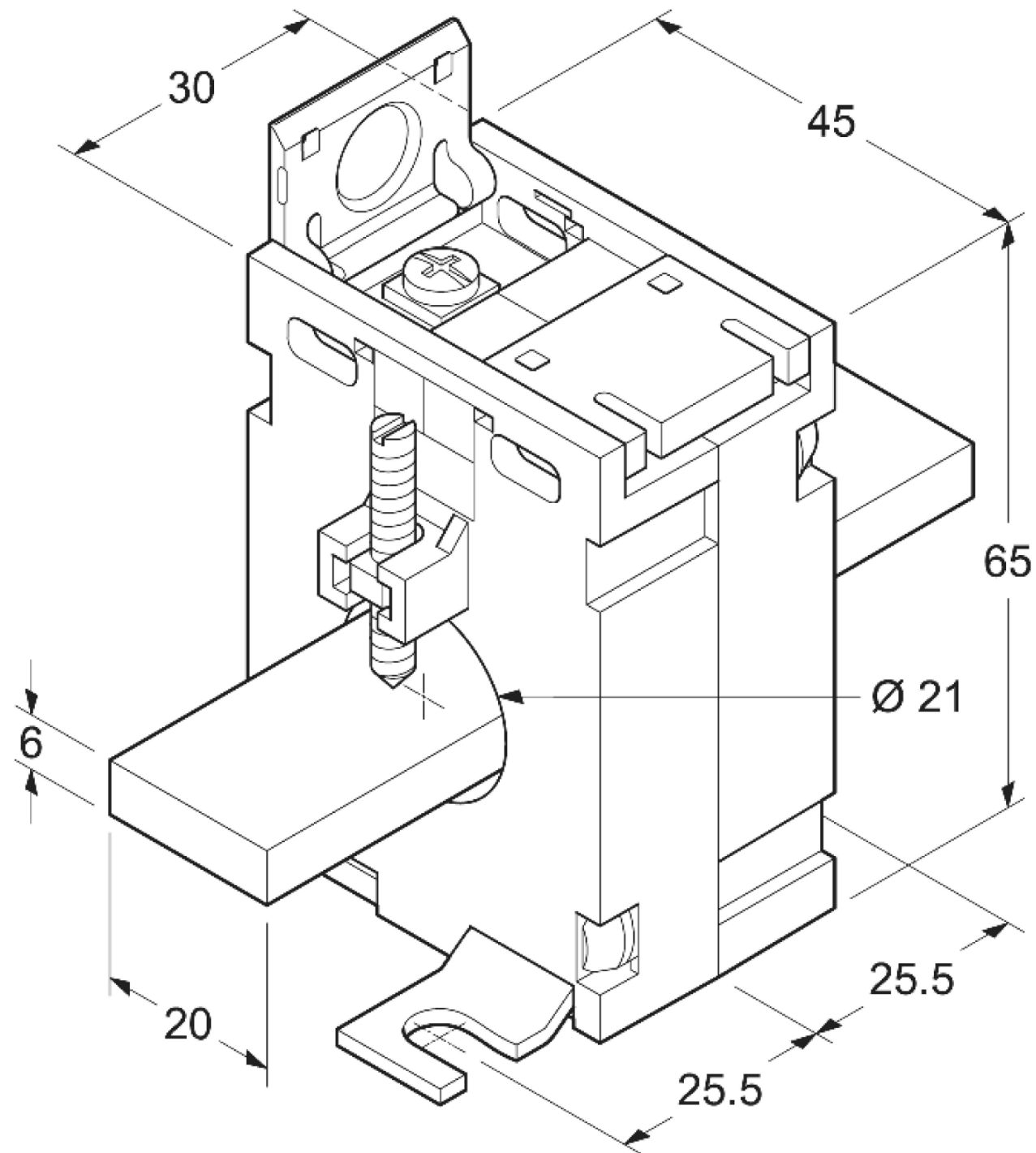
RELEASED FOR PUBLICATION

REVISIONS

© COPYRIGHT - TE Connectivity Ltd.

ALL RIGHTS RESERVED.

P	LTR	DESCRIPTION	DATE	DWN	APVD
1		NEW LAYOUT	18FEB2020	SG	NJ



THIS DRAWING IS A CONTROLLED DOCUMENT.		DWN	SANDEEP G		18FEB2020
DIMENSIONS:		CHK	NIGEL JOHNSON		18FEB2020
mm	TOLERANCES UNLESS OTHERWISE SPECIFIED:	APVD	NIGEL JOHNSON		18FEB2020
0 PLC	± -	PRODUCT SPEC		NAME	
1 PLC	± -	APPLICATION SPEC		M53Q - EBONY CURRENT TRANSFORMER	
2 PLC	± -	WEIGHT		-	
3 PLC	± -	CUSTOMER DRAWING		-	
4 PLC	± -	SCALE		NTS	
ANGLES	± -	SHEET		1 of 1	
MATERIAL	FINISH	SIZE		A3	
-	-	CAGE CODE		00779	
		DRAWING NO		G-CI-3L46001	
		RESTRICTED TO		-	
		REV		1	

