

4

3

2

1

THIS DRAWING IS UNPUBLISHED.

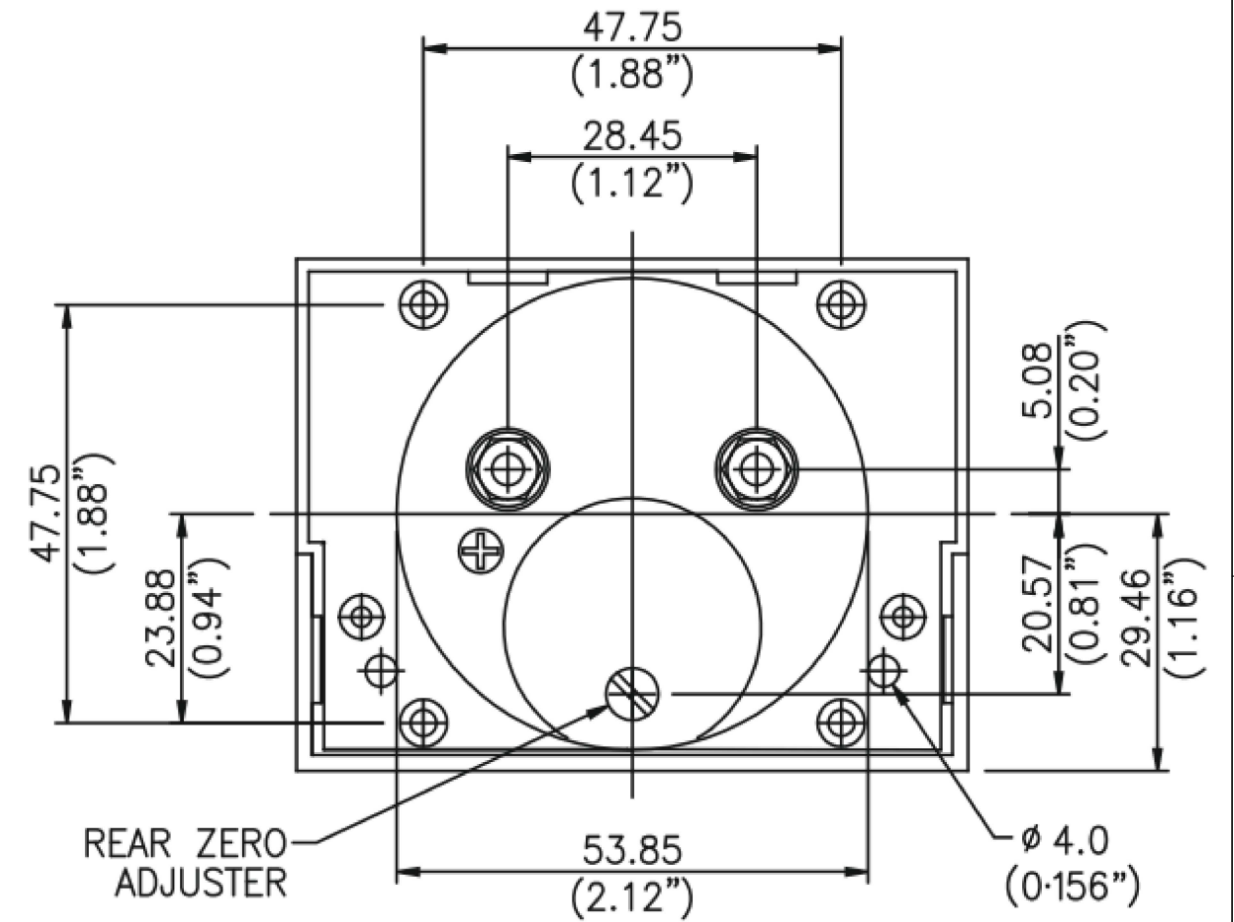
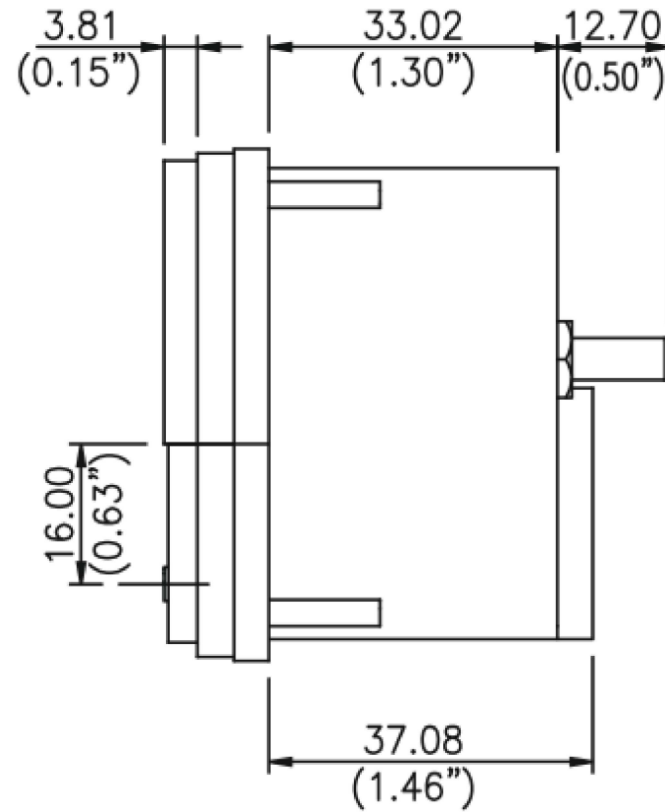
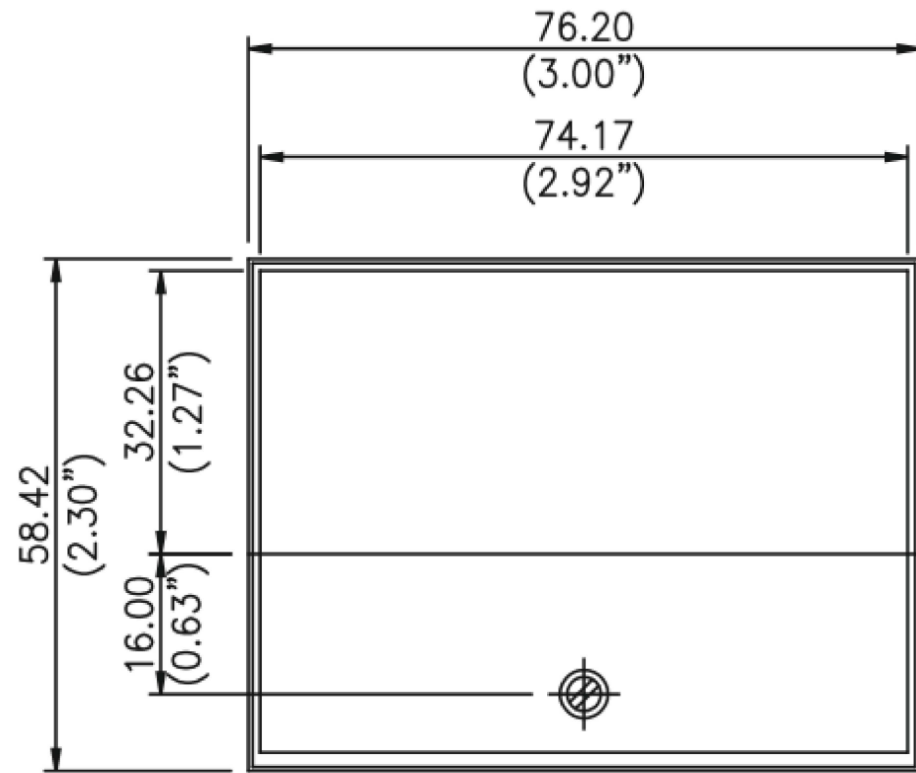
RELEASED FOR PUBLICATION

© COPYRIGHT - TE Connectivity Ltd.

ALL RIGHTS RESERVED.

REVISIONS

P	LTR	DESCRIPTION	DATE	DWN	APVD
1		NEW LAYOUT	18FEB2020	SG	NJ



THIS DRAWING IS A CONTROLLED DOCUMENT.

DWN SANDEEP G 18FEB2020

CHK NIGEL JOHNSON 18FEB2020

APVD NIGEL JOHNSON 18FEB2020

PRODUCT SPEC

APPLICATION SPEC

WEIGHT

CUSTOMER DRAWING



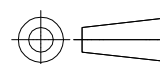
NAME 362 CHALLENGER ANALOGUE PANEL METERS

SIZE CAGE CODE DRAWING NO RESTRICTED TO

A3 00779 C=CI-3L47001

SCALE NTS SHEET 1 OF 1 REV 1

DIMENSIONS: mm



TOLERANCES UNLESS OTHERWISE SPECIFIED:

- 0 PLC ± -
- 1 PLC ± -
- 2 PLC ± -
- 3 PLC ± -
- 4 PLC ± -
- ANGLES ± -

MATERIAL

FINISH