

4

3

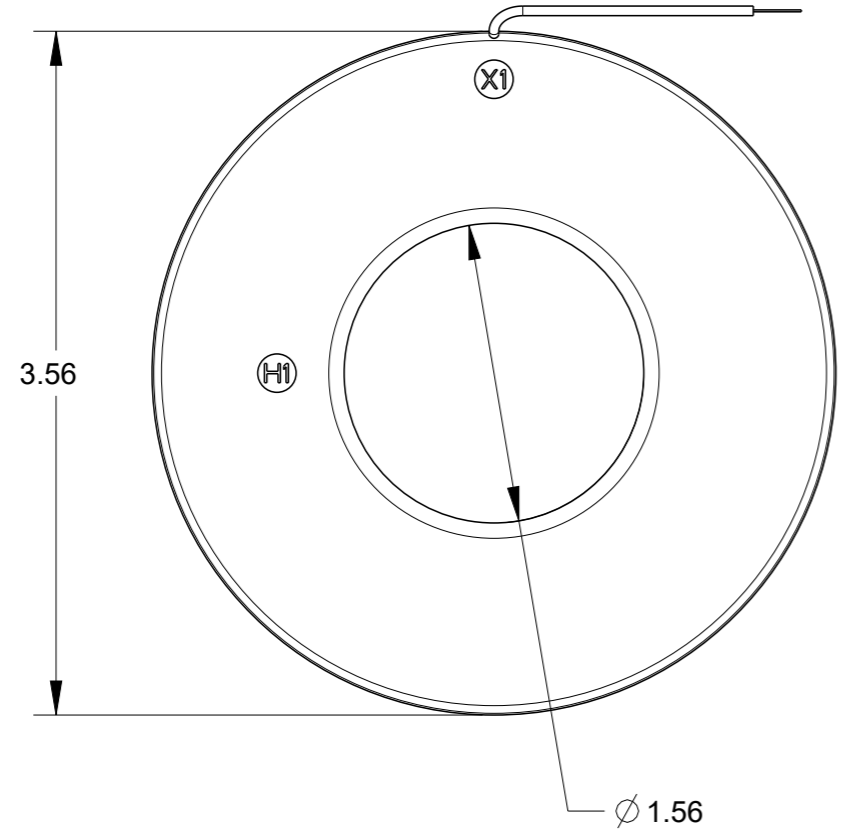
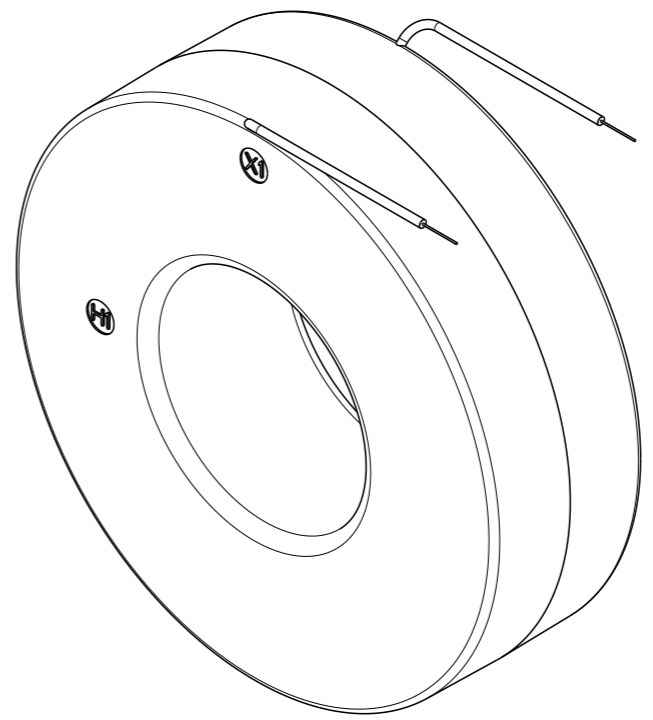
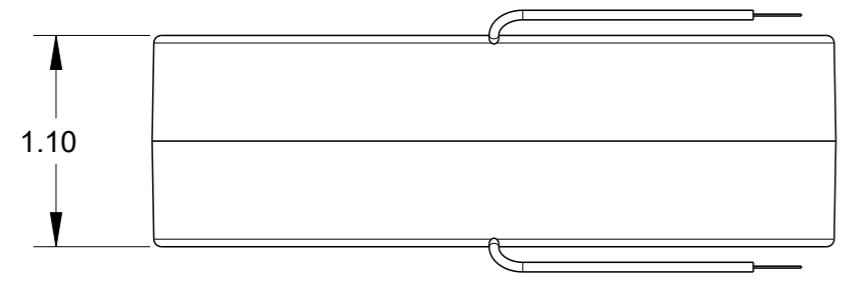
2

1

© 2020 TE Connectivity. All Rights Reserved.

REVISIONS

P	LTR	DESCRIPTION	DATE	DWN	APVD
1		NEW LAYOUT	09JUN2020	SB	NJ



THIS DRAWING IS A CONTROLLED DOCUMENT.

DWN 09JUN2020
SHRICHARANA B
CHK 09JUN2020
NIGEL JOHNSON
APVD 09JUN2020
NIGEL JOHNSON



DIMENSIONS:	TOLERANCES UNLESS OTHERWISE SPECIFIED:
in	
	0 PLC ±-
	1 PLC ±-
	2 PLC ±-
	3 PLC ±-
	4 PLC ±-
	ANGLES ±

NAME
**ANSI CT - MODEL 5RL
DIMENSIONAL DRAWING**

MATERIAL
TBD

PRODUCT SPEC
-

APPLICATION SPEC
-

WEIGHT
-

SIZE	CAGE CODE	DRAWING NO	RESTRICTED TO
A3	00779	C=CI-3L51801	-

CUSTOMER DRAWING SCALE 1:1 SHEET 1 OF 1 REV 1