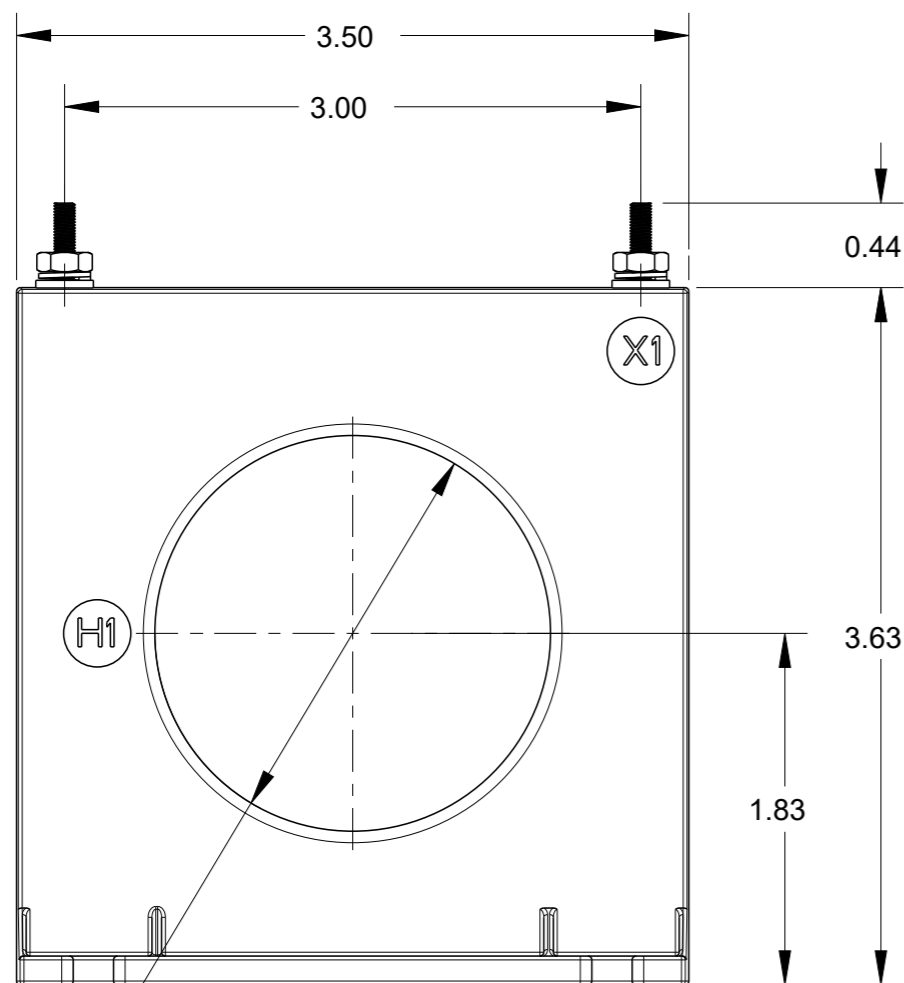
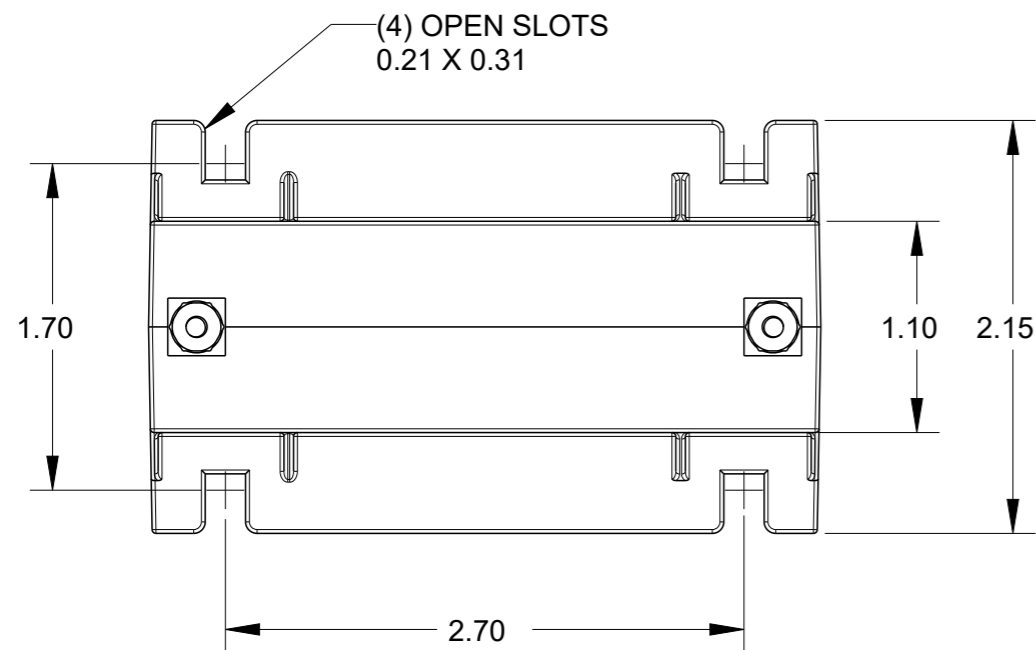
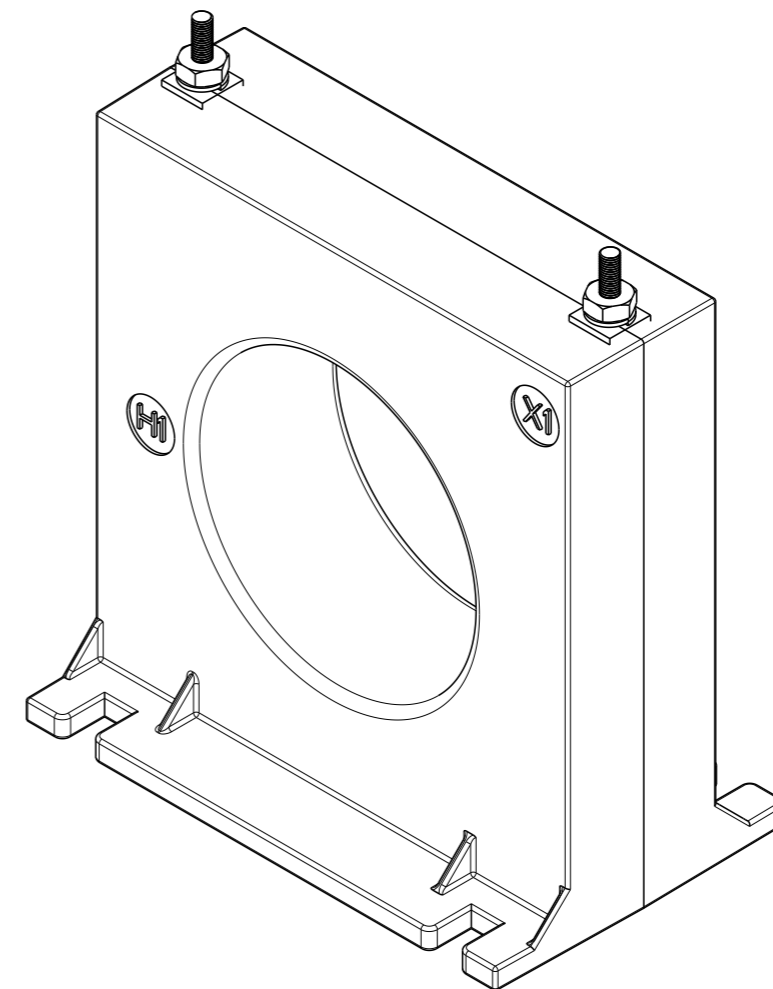


P	LTR	DESCRIPTION	DATE	DWN	APVD
1		NEW LAYOUT	29JUN2020	SB	NJ



2.06 DIA.



THIS DRAWING IS A CONTROLLED DOCUMENT.

DIMENSIONS:	TOLERANCES UNLESS OTHERWISE SPECIFIED:
in	0 PLC ±-
	1 PLC ±-
	2 PLC ±-
	3 PLC ±-
	4 PLC ±-
	ANGLES ±
MATERIAL	FINISH
TBD	-

DWN	29JUN2020
SHRICHARANA B	
CHK	29JUN2020
NIGEL JOHNSON	
APVD	29JUN2020
NIGEL JOHNSON	
PRODUCT SPEC	-
APPLICATION SPEC	-
WEIGHT	-
CUSTOMER DRAWING	

TE Connectivity		NAME ANSI CT - MODEL 56SFT DIMENSIONAL DRAWING		
		SIZE	CAGE CODE	DRAWING NO
A3		00779	C=CI-3L52101	-
SCALE		1:1	SHEET	1 OF 1
			REV	1