

4

3

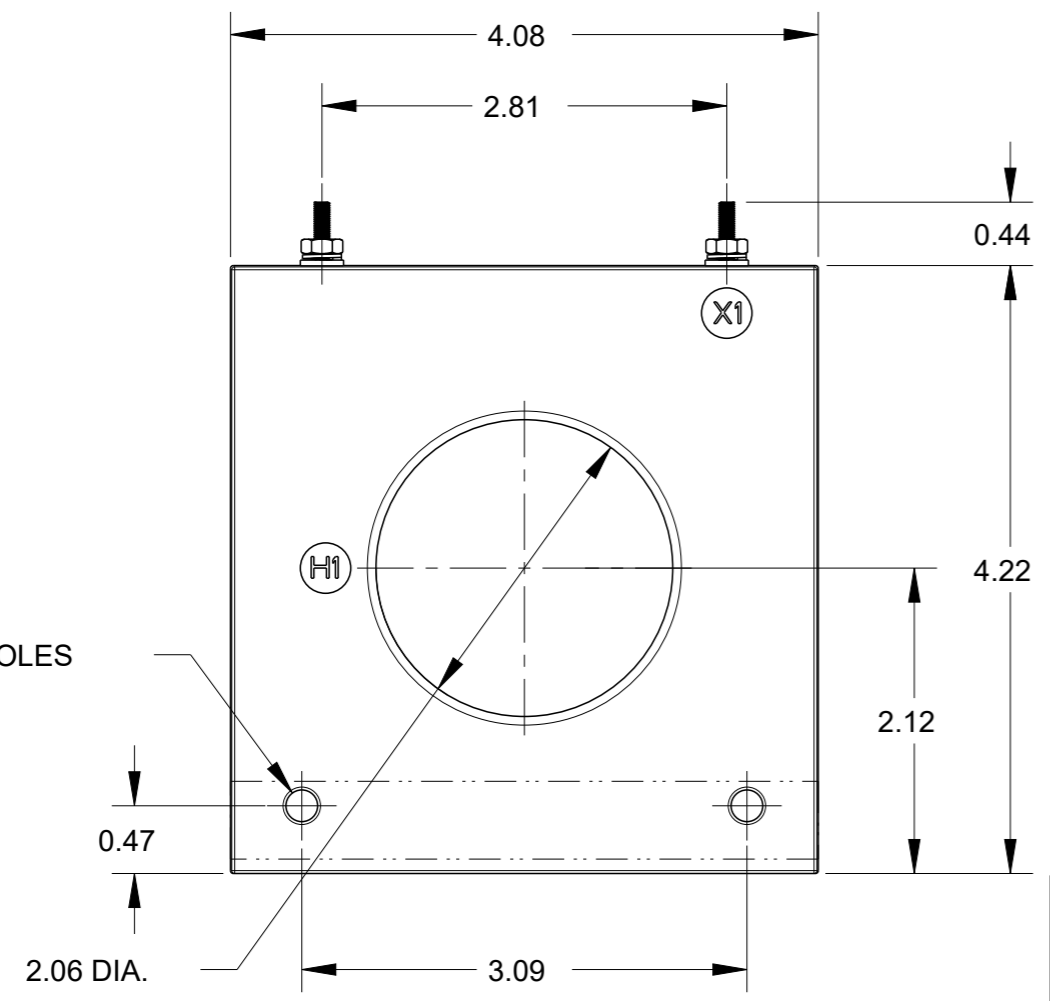
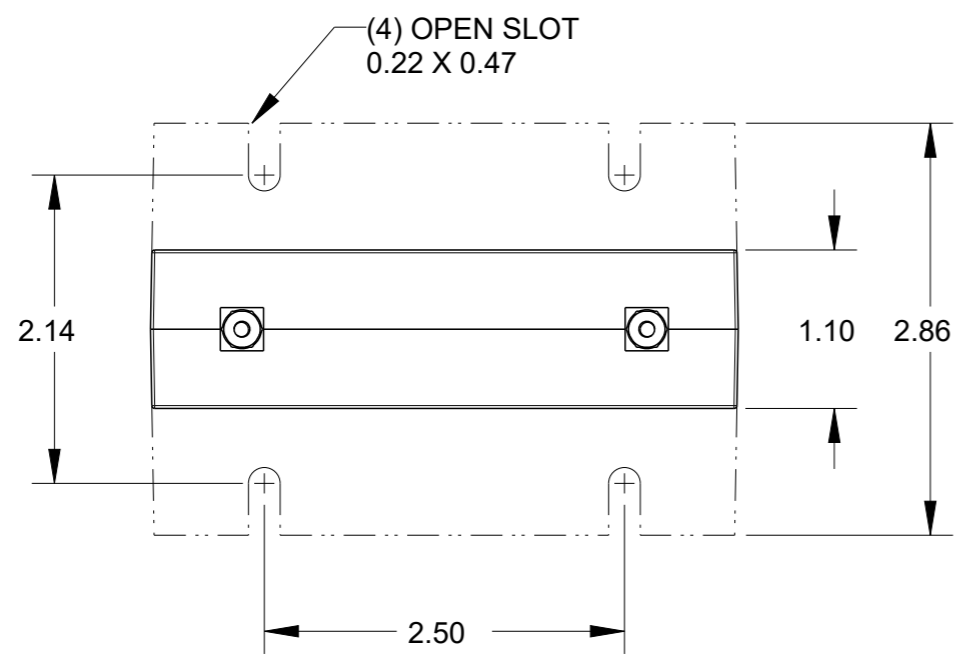
2

1

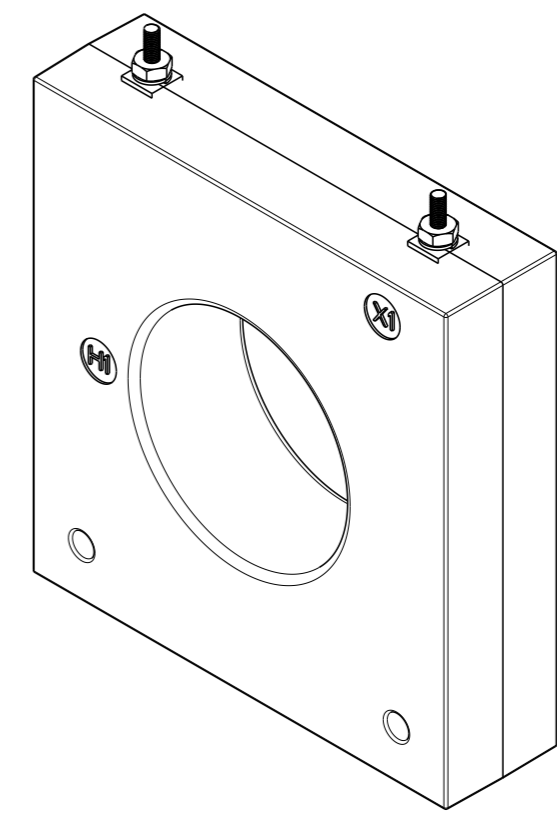
© 2020 TE Connectivity. All Rights Reserved.

REVISIONS

P	LTR	DESCRIPTION	DATE	DWN	APVD
1		NEW LAYOUT	09JUN2020	SB	NJ



(2) 0.22 DIA. HOLES



THIS DRAWING IS A CONTROLLED DOCUMENT.

DIMENSIONS:	TOLERANCES UNLESS OTHERWISE SPECIFIED:
in	
	0 PLC ±-
	1 PLC ±-
	2 PLC ±-
	3 PLC ±-
	4 PLC ±-
	ANGLES ±
MATERIAL TBD	FINISH -

DWN	08JUN2020
SHRICHARANA B	
CHK	08JUN2020
NIGEL JOHNSON	
APVD	08JUN2020
NIGEL JOHNSON	
PRODUCT SPEC	-
APPLICATION SPEC	-
WEIGHT	-
CUSTOMER DRAWING	

		NAME		RESTRICTED TO
		ANSI CT - MODEL 6SHT DIMENSIONAL DRAWING		
SIZE	CAGE CODE	DRAWING NO		
A3	00779	C=CI-3L52301		
SCALE		SHEET	OF	REV
3:4		1	1	1