

4

3

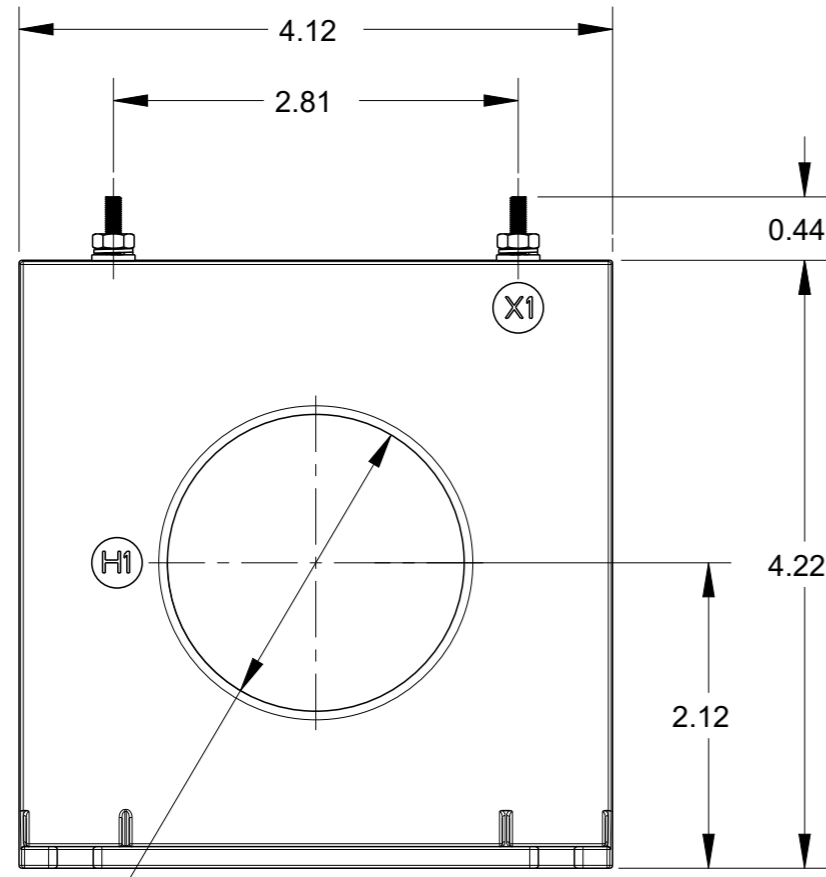
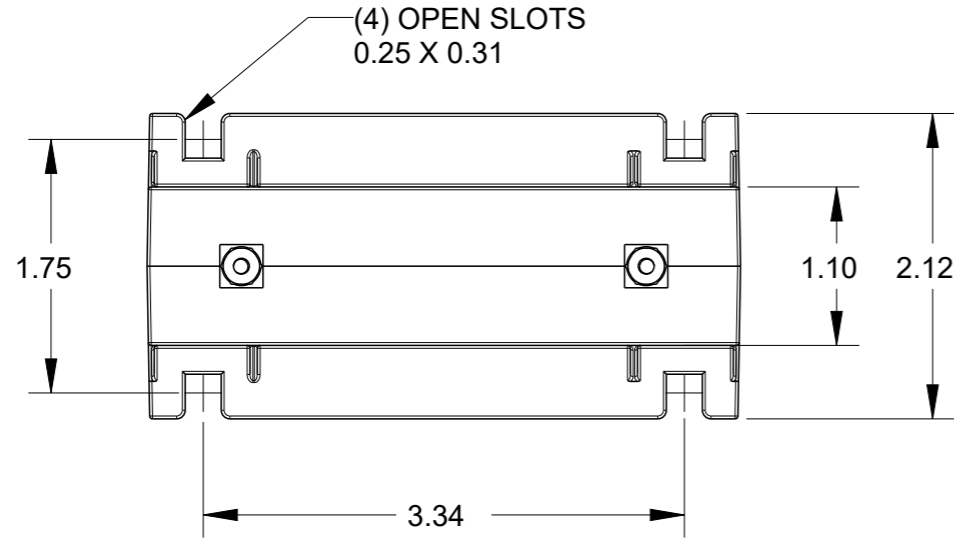
2

1

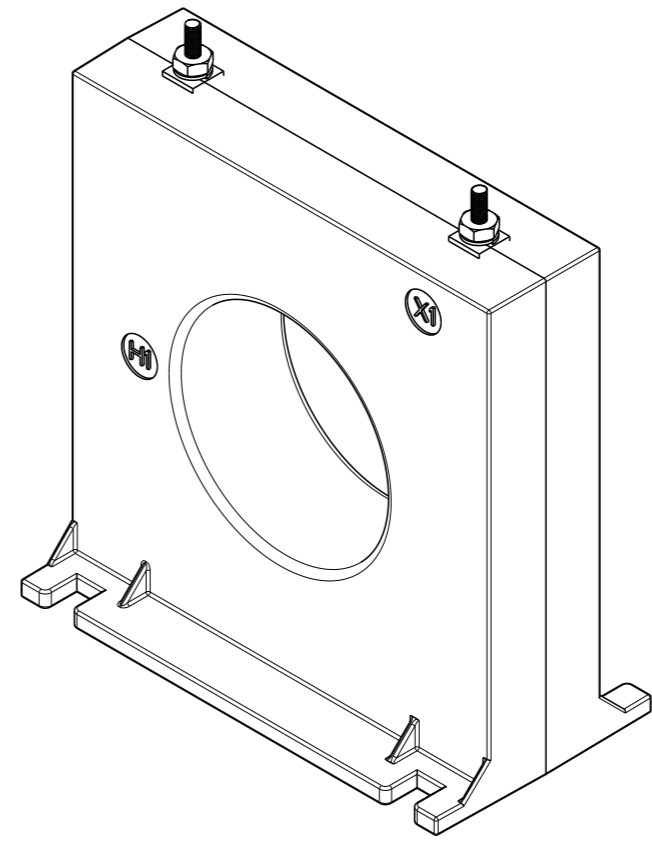
© 2020 TE Connectivity. All Rights Reserved.

REVISIONS

P	LTR	DESCRIPTION	DATE	DWN	APVD
1		NEW LAYOUT	09JUN2020	SB	NJ



2.06 DIA.



THIS DRAWING IS A CONTROLLED DOCUMENT.

DIMENSIONS:	TOLERANCES UNLESS OTHERWISE SPECIFIED:
in	0 PLC ±-
	1 PLC ±-
	2 PLC ±-
	3 PLC ±-
	4 PLC ±-
	ANGLES ±

MATERIAL TBD

DWN	08JUN2020
CHK	SHRICHARANA B
APVD	08JUN2020
	NIGEL JOHNSON
PRODUCT SPEC	
APPLICATION SPEC	
WEIGHT	-
CUSTOMER DRAWING	



NAME		ANSI CT - MODEL 6SFT DIMENSIONAL DRAWING		
SIZE	CAGE CODE	DRAWING NO	RESTRICTED TO	
A3	00779	C=CI-3L52401	-	
SCALE		SHEET	OF	REV
3:4		1	1	1