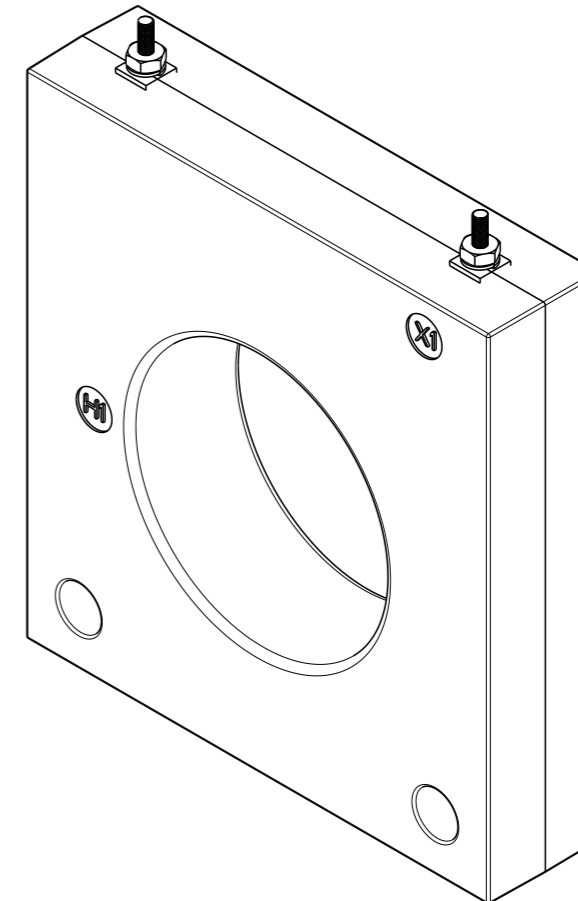
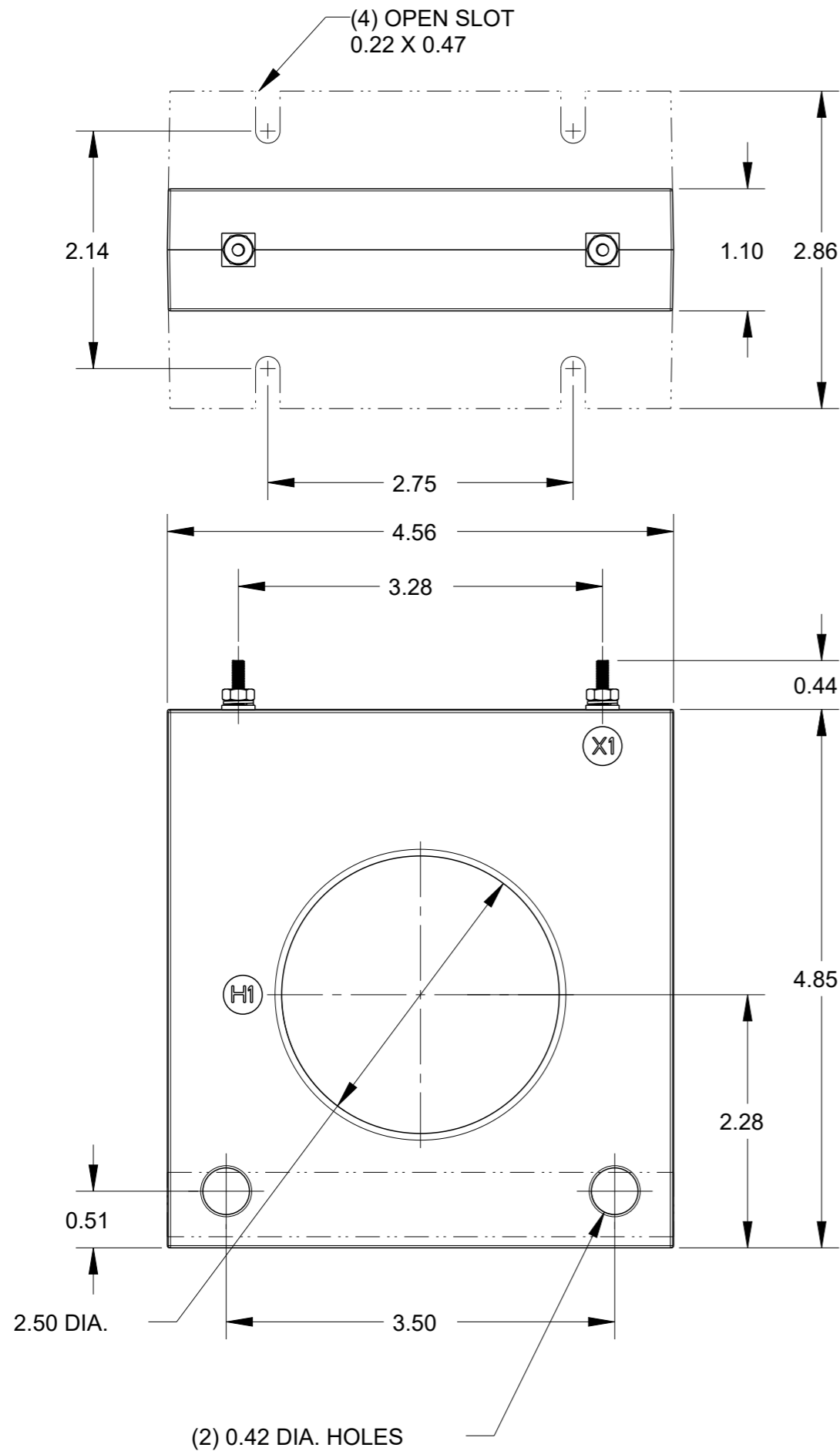


P	LTR	DESCRIPTION	DATE	DWN	APVD
1		NEW LAYOUT	09JUN2020	SB	NJ



THIS DRAWING IS A CONTROLLED DOCUMENT.

DIMENSIONS:		TOLERANCES UNLESS OTHERWISE SPECIFIED:	
in		0 PLC	±-
		1 PLC	±-
		2 PLC	±-
		3 PLC	±-
		4 PLC	±-
MATERIAL		ANGLES	±-
TBD		FINISH	-

DWN	08JUN2020
SHRICHARANA B	
CHK	08JUN2020
NIGEL JOHNSON	
APVD	08JUN2020
NIGEL JOHNSON	
PRODUCT SPEC	-
APPLICATION SPEC	-
WEIGHT	-
CUSTOMER DRAWING	

		NAME		RESTRICTED TO
		ANSI CT - MODEL 7SHT DIMENSIONAL DRAWING		
SIZE	CAGE CODE	DRAWING NO		
A3	00779	C=CI-3L52601		
SCALE		SHEET	OF	REV
3:4		1	1	1