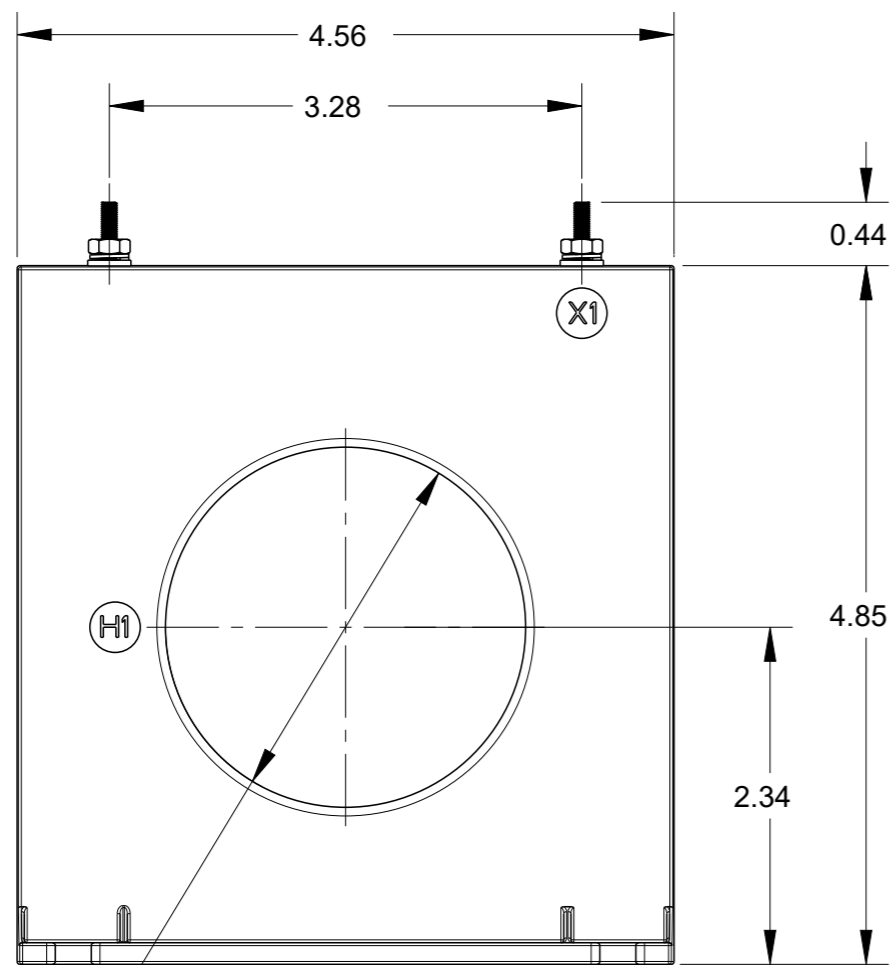
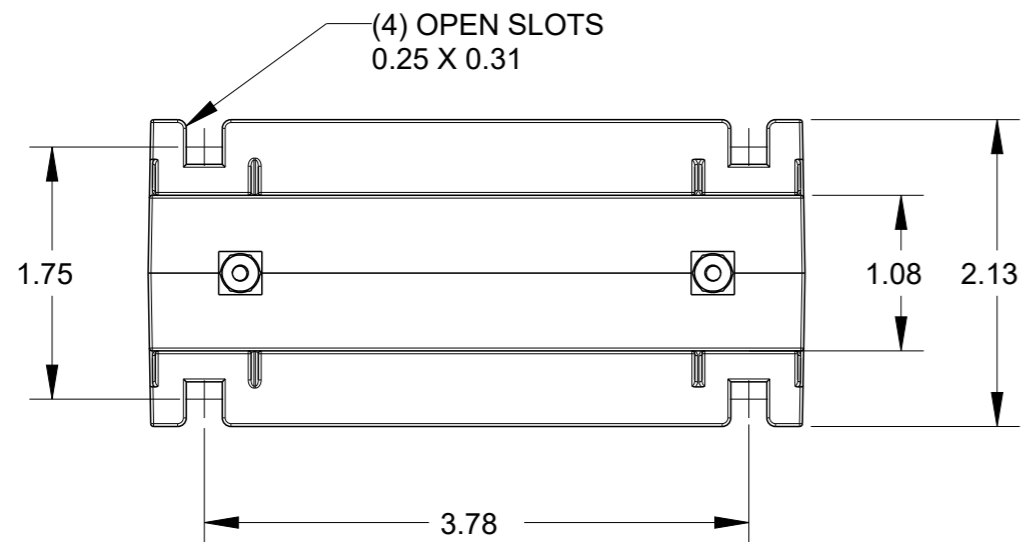
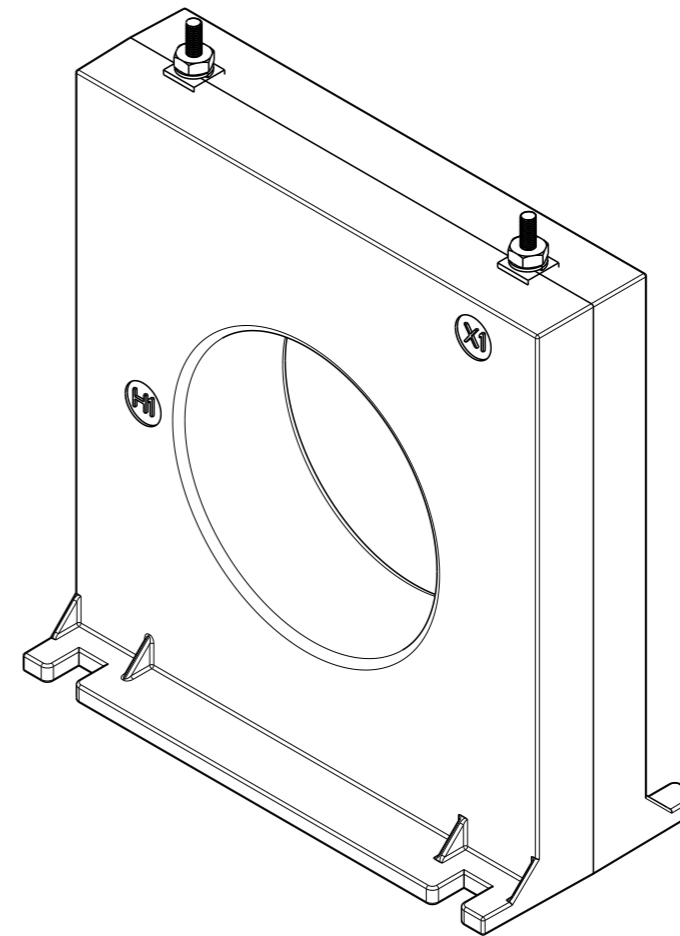


P	LTR	DESCRIPTION	DATE	DWN	APVD
1		NEW LAYOUT	09JUN2020	SB	NJ



2.50 DIA.



THIS DRAWING IS A CONTROLLED DOCUMENT.

DIMENSIONS:	TOLERANCES UNLESS OTHERWISE SPECIFIED:	
in	0 PLC	±-
	1 PLC	±-
	2 PLC	±-
	3 PLC	±-
	4 PLC	±-
	ANGLES	±
MATERIAL	FINISH	
TBD	-	

DWN	08JUN2020
CHK	SHRICHARANA B
APVD	08JUN2020
APVD	NIGEL JOHNSON
PRODUCT SPEC	NIGEL JOHNSON
APPLICATION SPEC	-
WEIGHT	-
CUSTOMER DRAWING	

		NAME		RESTRICTED TO
		ANSI CT - MODEL 7SFT DIMENSIONAL DRAWING		
SIZE	CAGE CODE	DRAWING NO	-	
A3	00779	C=CI-3L52701	-	
SCALE		SHEET	OF	REV
3:4		1	1	1