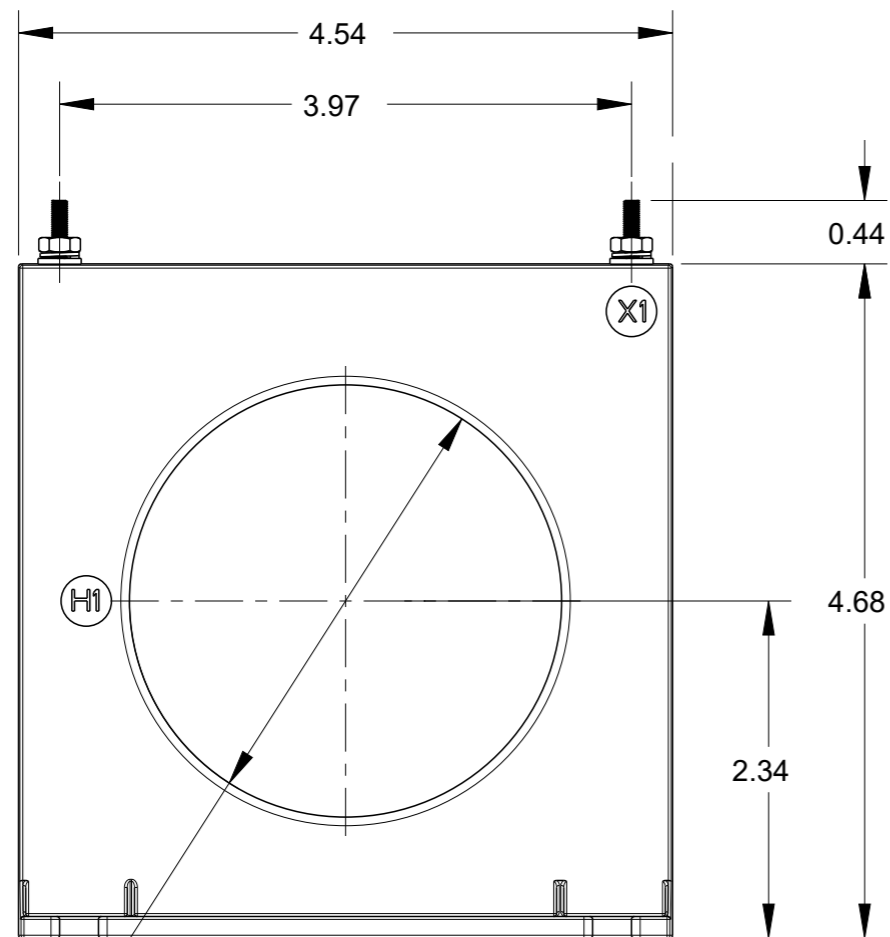
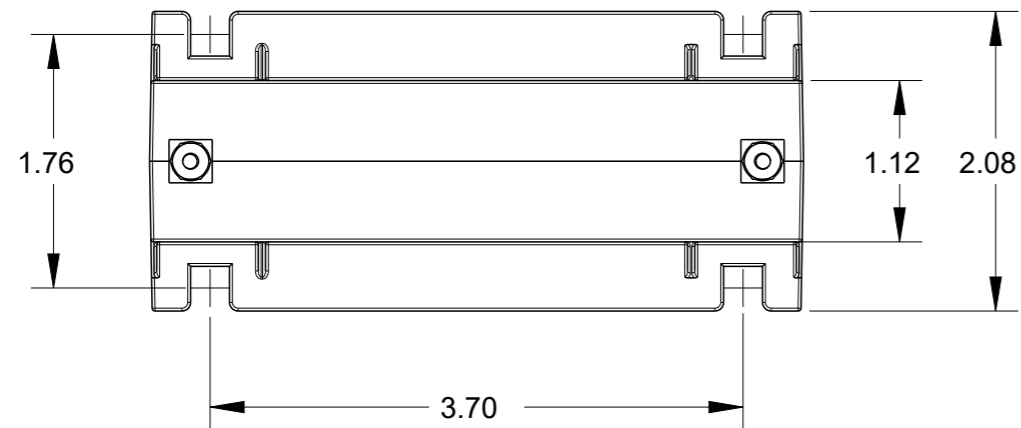
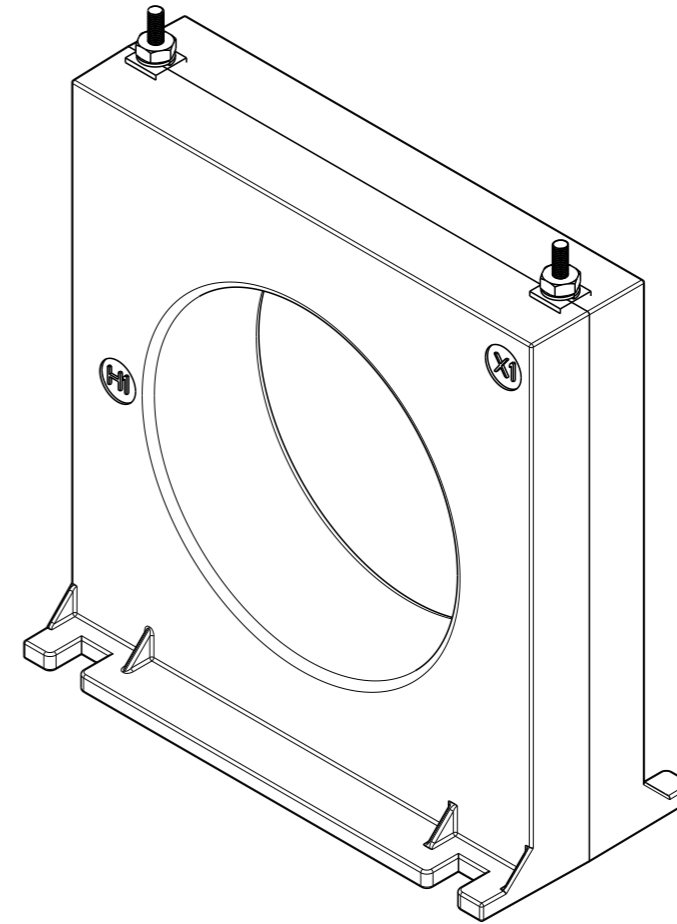


P	LTR	DESCRIPTION	DATE	DWN	APVD
1		NEW LAYOUT	09JUN2020	SB	NJ



Ø 3.00



THIS DRAWING IS A CONTROLLED DOCUMENT.

DIMENSIONS:	TOLERANCES UNLESS OTHERWISE SPECIFIED:
in	
	0 PLC ±-
	1 PLC ±-
	2 PLC ±-
	3 PLC ±-
	4 PLC ±-
	ANGLES ±
MATERIAL TBD	FINISH -

DWN	08JUN2020
CHK	SHRICHARANA B
APVD	08JUN2020
APVD	NIGEL JOHNSON
PRODUCT SPEC	NIGEL JOHNSON
APPLICATION SPEC	-
WEIGHT	-
CUSTOMER DRAWING	



ANSI CT - MODEL 76SFT
DIMENSIONAL DRAWING

NAME	SIZE	CAGE CODE	DRAWING NO	RESTRICTED TO
ANSI CT - MODEL 76SFT DIMENSIONAL DRAWING	A3	00779	C=CI-3L53001	-
SCALE			SHEET	REV
3:4			1 OF 1	1