

4

3

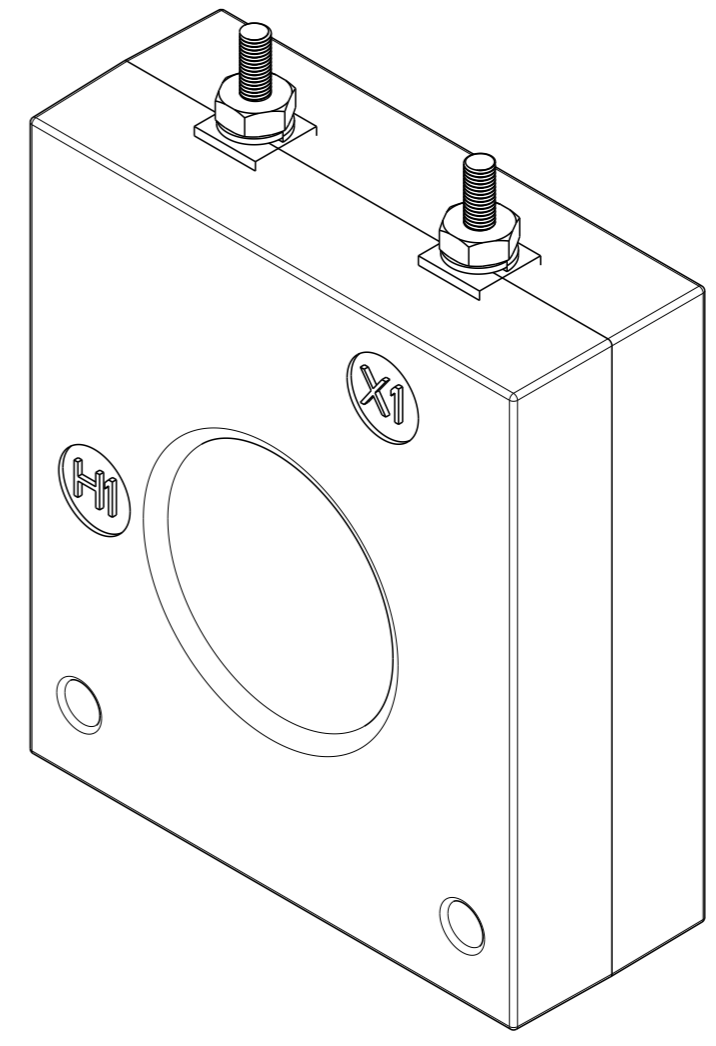
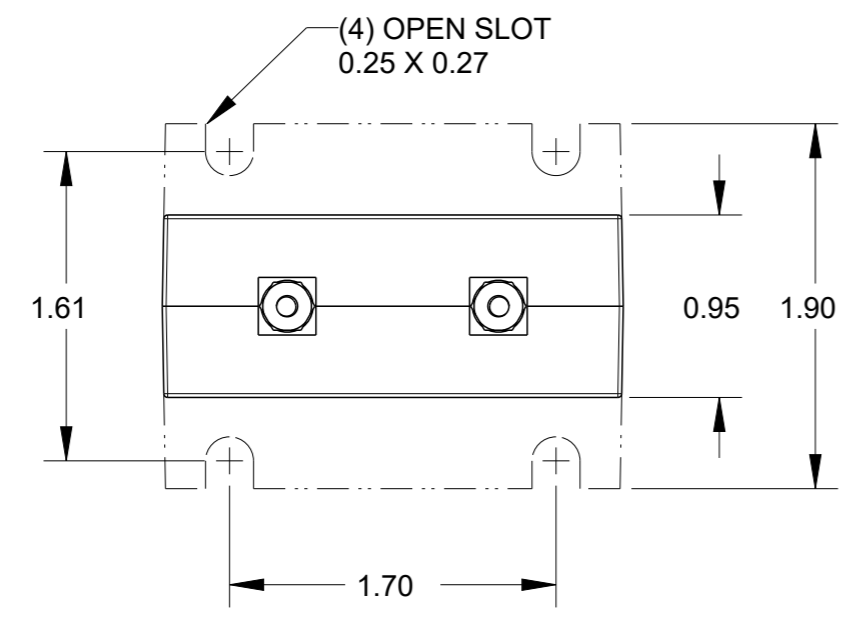
2

1

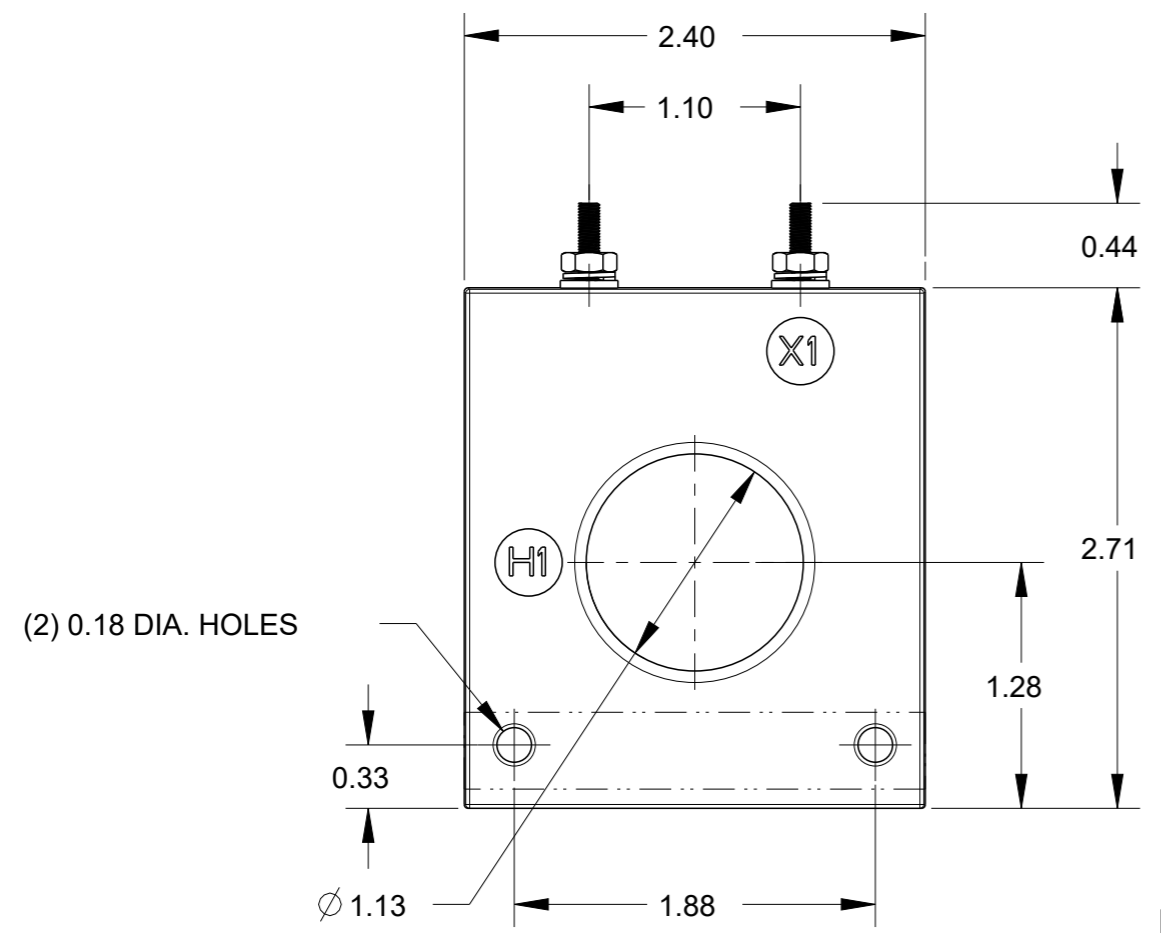
© 2020 TE Connectivity. All Rights Reserved.

REVISIONS

P	LTR	DESCRIPTION	DATE	DWN	APVD
1		NEW LAYOUT	09JUN2020	SB	NJ



SCALE 3:2



THIS DRAWING IS A CONTROLLED DOCUMENT.		DWN 08JUN2020 SHRICHARANA B				
		CHK 08JUN2020 NIGEL JOHNSON				
		APVD 08JUN2020 NIGEL JOHNSON				
		NAME ANSI CT - MODEL 2SHT DIMENSIONAL DRAWING				
DIMENSIONS:	TOLERANCES UNLESS OTHERWISE SPECIFIED:	PRODUCT SPEC	SIZE	CAGE CODE	DRAWING NO	RESTRICTED TO
in	0 PLC ±-	-	A3	00779	C=CI-3L51201	-
	1 PLC ±-	APPLICATION SPEC				
	2 PLC ±-	-				
	3 PLC ±-	WEIGHT				
	4 PLC ±-	CUSTOMER DRAWING	SCALE	SHEET	OF	REV
	ANGLES ±-		1:1	1	1	1
MATERIAL	FINISH					
TBD	-					