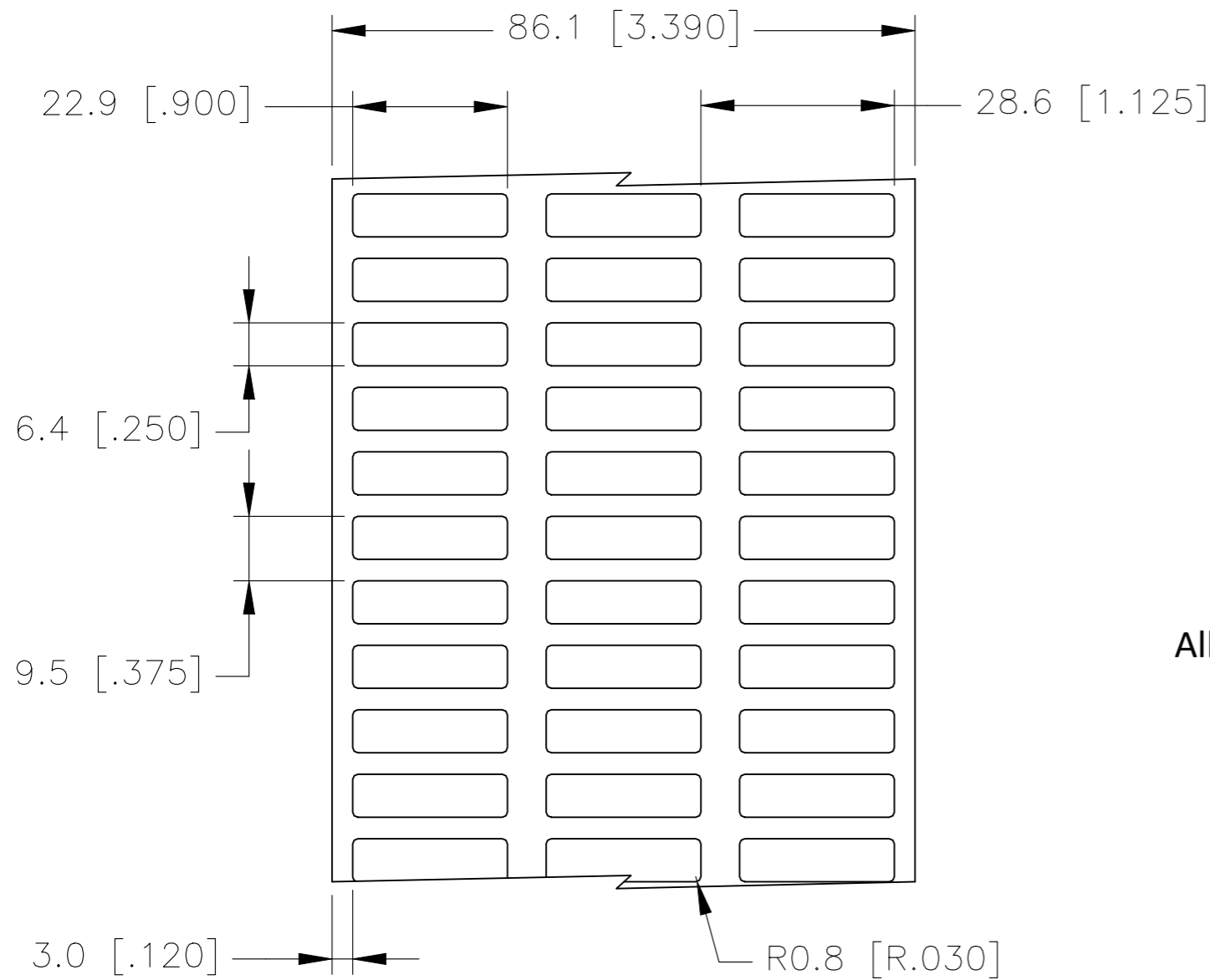
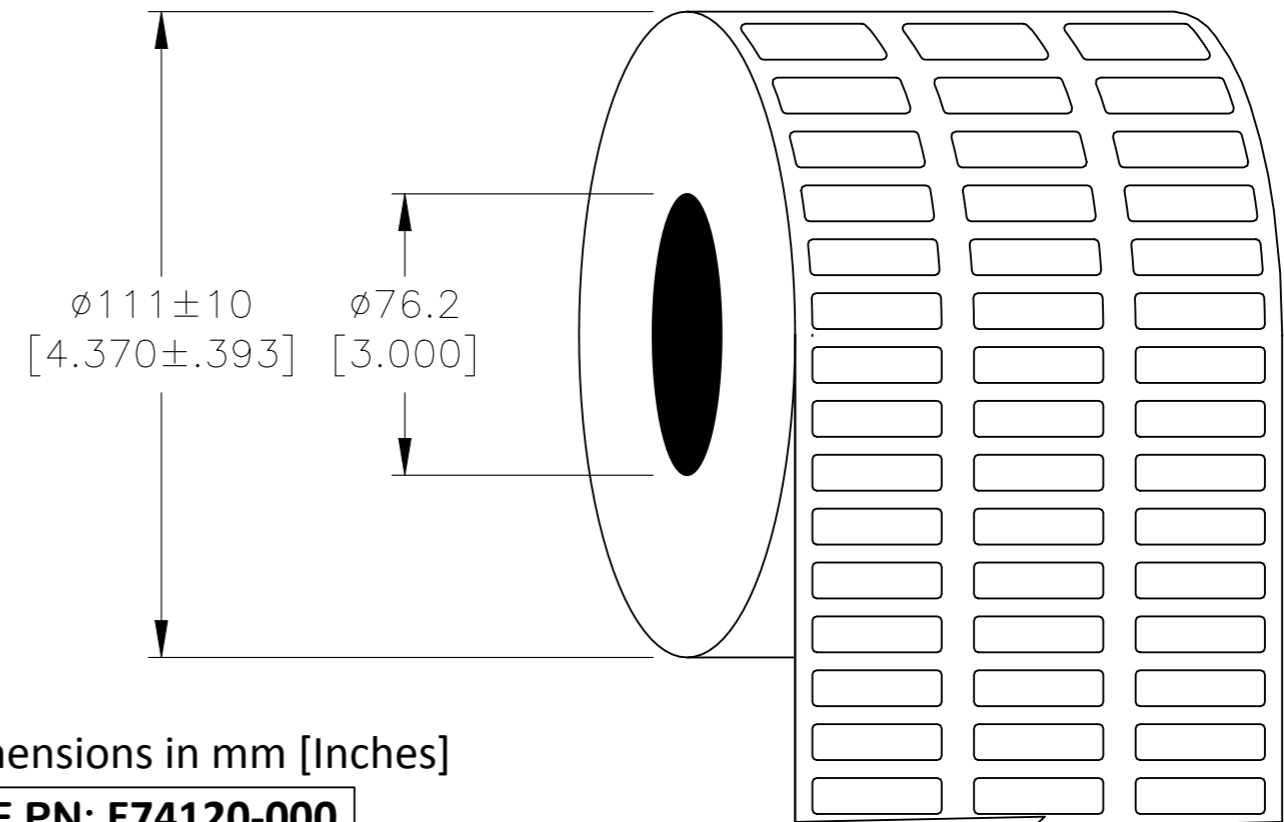


P	LTR	DESCRIPTION	DATE	DWN	APVD
	B	ECR-21-001705	15FEB2021	GK	MN

LABEL AND LINER DESIGN



PRESENTATION



All dimensions in mm [Inches]

TE PN: E74120-000

**OUTSIDE WOUND
LABEL ACROSS: 3
PER ROLL QTY: 10000**

MATERIAL	CLEAR POLYESTER
ADHESIVE TYPE	PERMANENT ACRYLIC
LINER	GLASSINE PAPER

TOLERANCES mm [INCH]	
LABEL HEIGHT:	±0.3 [.012]
LABEL WIDTH:	±0.3 [.012]
WEB WIDTH:	±0.8 [.031]
VERTICAL REPEAT:	±0.8 [.031]*
HORIZONTAL REPEAT:	±0.8 [.031]*
PRINT POSITIONING:	±0.8 [.031]*
LEFT MARGIN:	±0.4 [.016]
QUANTITY:	-0 % +2 %
*NON ACCUMULATING	

THIS DRAWING IS A CONTROLLED DOCUMENT.	
DIMENSIONS: mm [INCHES]	TOLERANCES UNLESS OTHERWISE SPECIFIED:
	0 PLC ± -
	1 PLC ± -
	2 PLC ± -
	3 PLC ± -
	4 PLC ± -
ANGLES ± -	FINISH -
MATERIAL SEE TABLE	

DWN	15FEB2021
GOPALAKRISHNA HV	
CHK	15FEB2021
MIKE NUTTALL	
APVD	15FEB2021
MIKE NUTTALL	
PRODUCT SPEC	
TTDS-083	
APPLICATION SPEC	
WEIGHT	0.012g

TE Connectivity		NAME		CP-229064-10-X
		SIZE		A3
CAGE CODE		C2290	DRAWING NO	
RESTRICTED TO		G-CP-229064-10-X		
CUSTOMER DRAWING		SCALE	NTS	SHEET 1 OF 1
				REV B