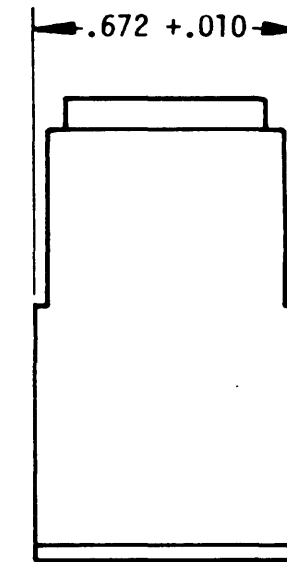
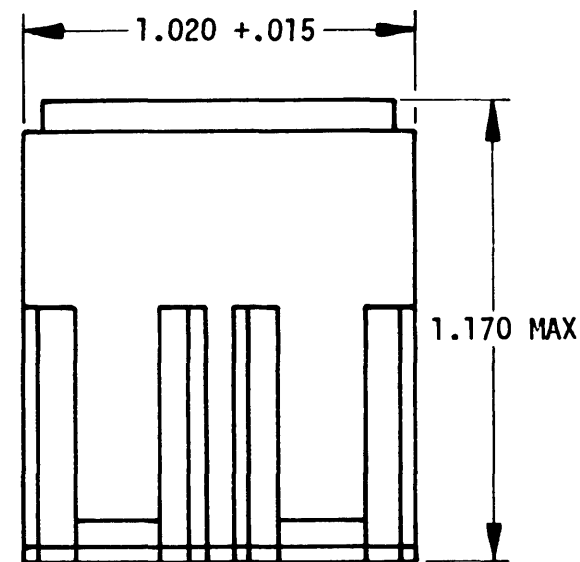
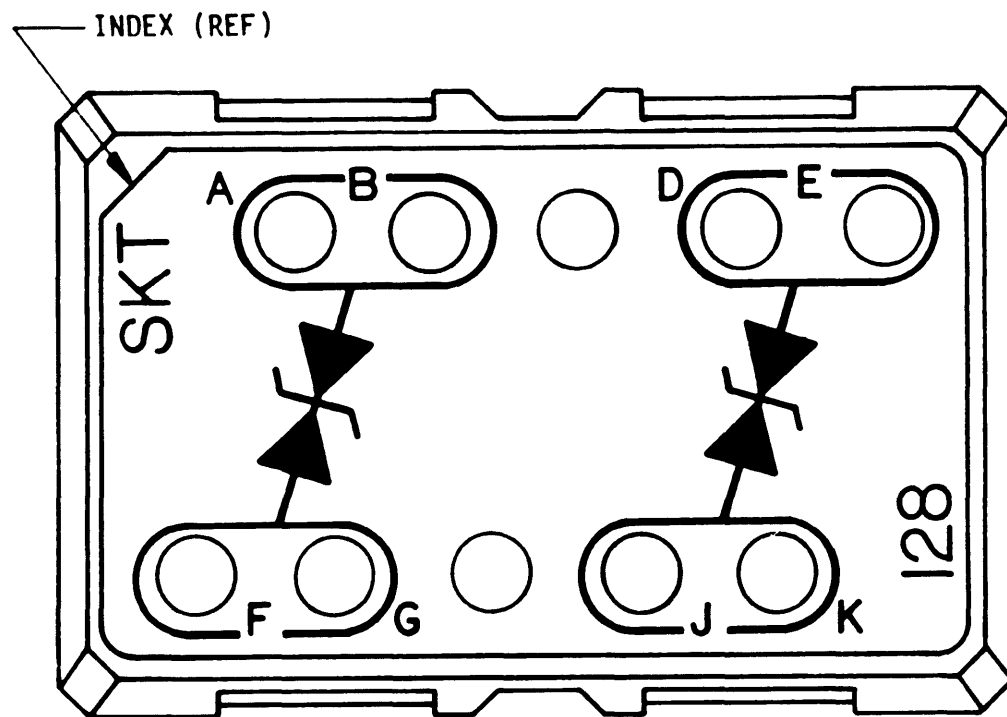


CTJ420E128

REVISIONS

SYM	DESCRIPTION	DATE	APPROVED
N/C	NEW RELEASE PER E.O. 96282	5-20-83	<i>L. Staller</i>




11. COMPONENT: JANTX 1N6052A, QTY. 2.
10. THIS ASSEMBLY CONFORMS TO AFLC 8027520-4 SPEC.
9. SOCKET CONTACTS MEET MIL-C-39029/22-192 REQUIREMENTS.
8. JUNCTION ELECTRONIC COMPONENT TEMPERATURE RANGE: -67°F TO 257°F (-55°C to 125°C).
7. MATERIALS AND FINISHES
HOUSING - THERMO PLASTIC
GROMMET - SILICONE ELASTOMER
PIN CONTACTS - COPPER ALLOY PLATED GOLD
6. CONTACT TOOL NO. M15570-20 IS REQUIRED.
5. SEE ENVELOPE DRAWING NO CTJ-3*-** FOR SUITABLE RAIL ASSEMBLIES.
4. FOR CONTACT DATA SEE ENVELOPE DRAWING 1625-1-0000.
3. CTJ420E128-***
 - MODIFICATION
 - CIRCUIT ARRANGEMENT
 - BASIC IDENTIFIER
2. THE CIRCUIT IDENTIFICATION WILL BE SCREENED ON JUNCTION.
1. DIMENSIONS ARE IN INCHES UNLESS OTHERWISE SPECIFIED.

NOTE:

SIGNATURE & DATE	
DR	<i>Palmer</i> 5-24-83
CHK	<i>L. Staller</i> 5-26-83
PE	<i>Don Newitz</i> 5-24-83
APPD	
SCALE	NONE
WT	

JUNCTION ASSEMBLY
ELECTRONIC COMPONENT
SIZE 12
SIZE 20 CONTACTS
128 ARRANGEMENT

ENVELOPE

CP	MATL CODE
The Deutch Company ELECTRONIC COMPONENTS DIVISION  Municipal Airport Banning, California	
B	CTJ420E128
DWG SIZE	CODE 11139 SHEET 1 OF 1