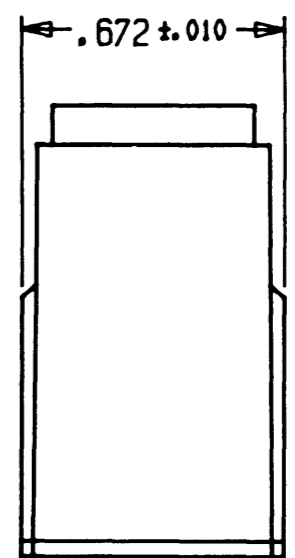
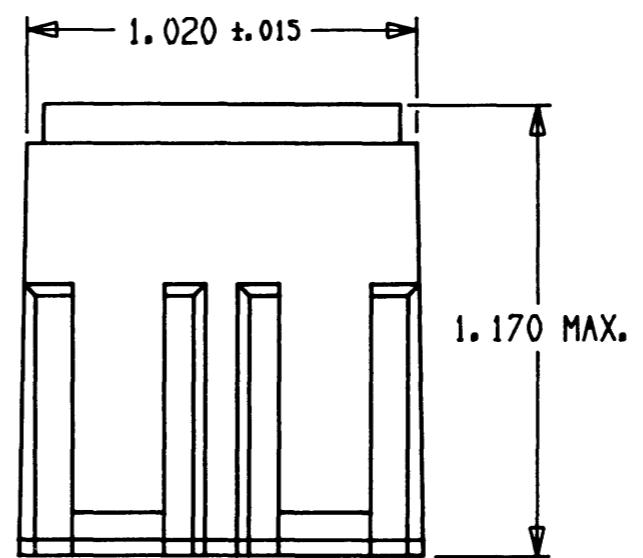
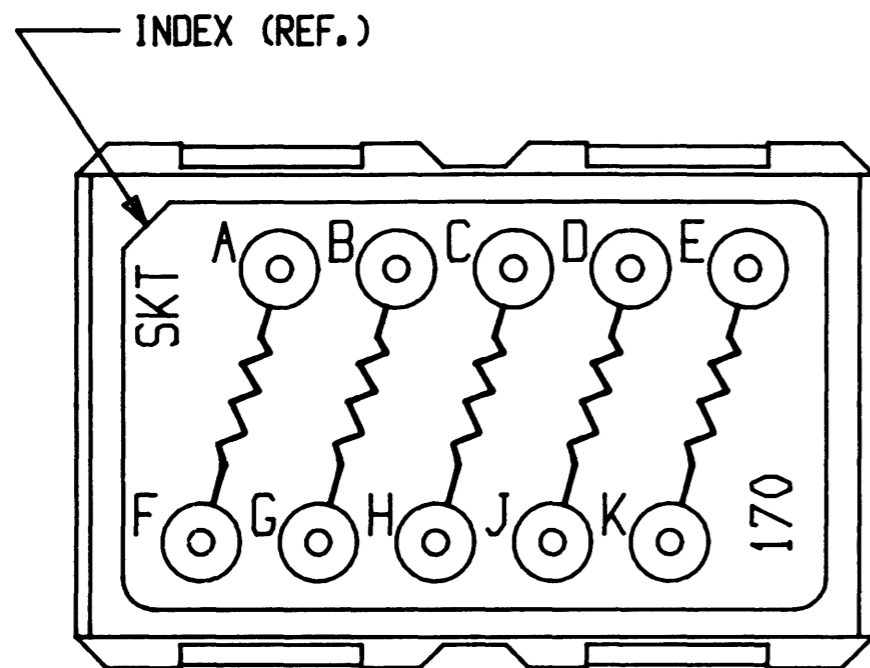


B CTJ420E170

REVISIONS			
SYM	DESCRIPTION	DATE	APPROVED
N/C	NEW RELEASE PER E.O. A7423	10/13/87	
A	REVISED PER E.O. A7707	11/18/87	
B	REVISED PER E.O. A7952	4/29/88	TFA



11. COMPONENT: RNC60H2490FS
10. THIS ASSEMBLY CONFORMS TO AFLC 8027520-4 SPEC.
9. SOCKET CONTACTS MEET MIL-C-39029/22-192 REQUIREMENT.
8. JUNCTION ELECTRONIC COMPONENT TEMPERATURE RANGE: -67°F TO +257°F (-55°C TO +125°C).
7. MATERIALS AND FINISHES:
HOUSING - THERMO PLASTIC
GROMMET - SILICONE ELASTOMER
PIN CONTACTS - COPPER ALLOY PLATED GOLD
6. CONTACT TOOL NO. M15570-20 IS REQUIRED.
5. SEE ENVELOPE DRAWING NO. CTJ-3*-** FOR SUITABLE RAIL ASSEMBLIES.
4. FOR CONTACT DATA SEE ENVELOPE DRAWING 1625-1-0000.
3. CTJ420E170-***

	MODIFICATION
	CIRCUIT ARRANGEMENT
	BASIC IDENTIFIER
2. THE CIRCUIT IDENTIFICATION WILL BE SCREENED ON JUNCTION.
1. DIMENSIONS ARE IN INCHES UNLESS OTHERWISE SPECIFIED.

NOTE:

SIGNATURE & DATE	
DR	<i>D. Oberle</i> 10/7/87
CHK	<i>T. Austin</i> 4/29/88
PE	<i>D. Oberle</i> 10/7/87
APPD	
SCALE	NONE WT

JUNCTION ASSEMBLY
 ELECTRONIC COMPONENT
 SIZE 12
 SIZE 20 CONTACTS
 170 ARRANGEMENT
 ENVELOPE

CP	MATL CODE	16
DEUTSCH ENGINEERED CONNECTING DEVICES Municipal Airport Banning, California		
B	CTJ420E170	
DWG SIZE	CODE 11139	SHEET 1 OF 1

CTJ420E170ENV