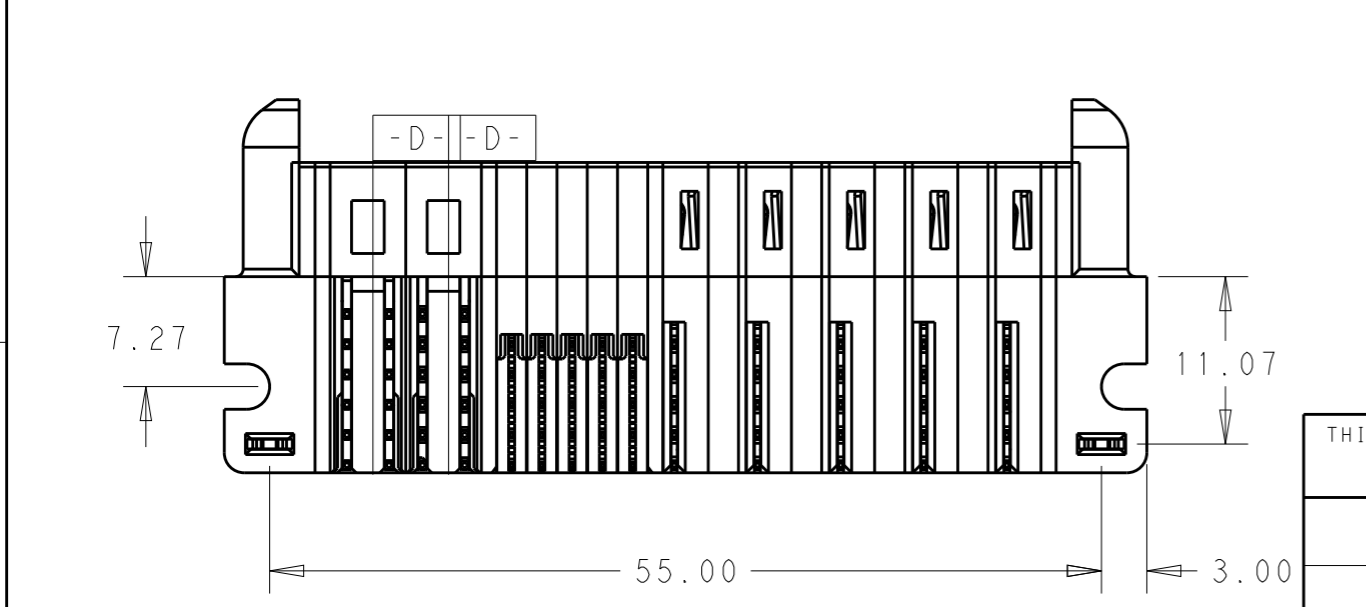
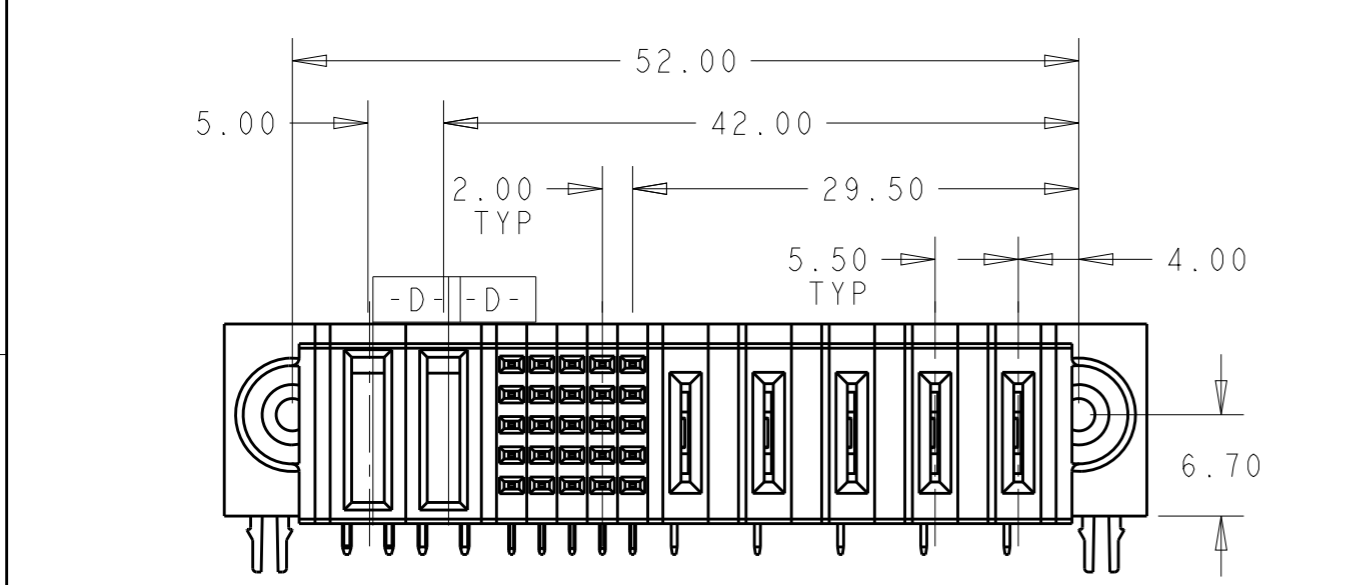
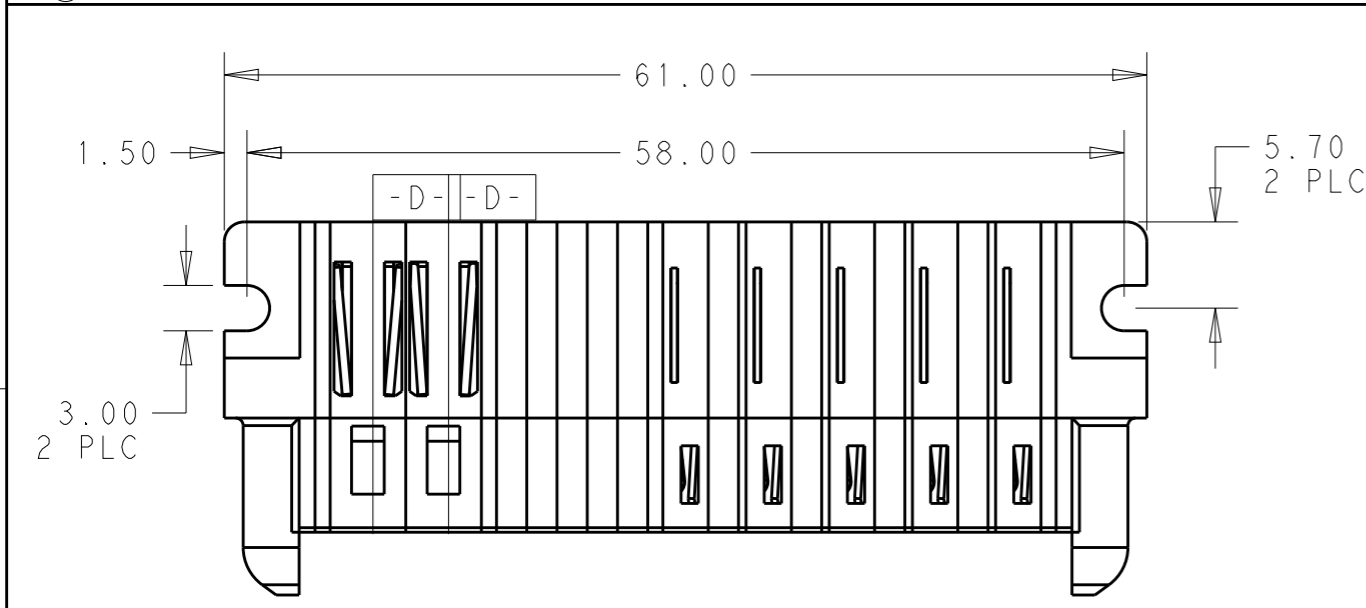
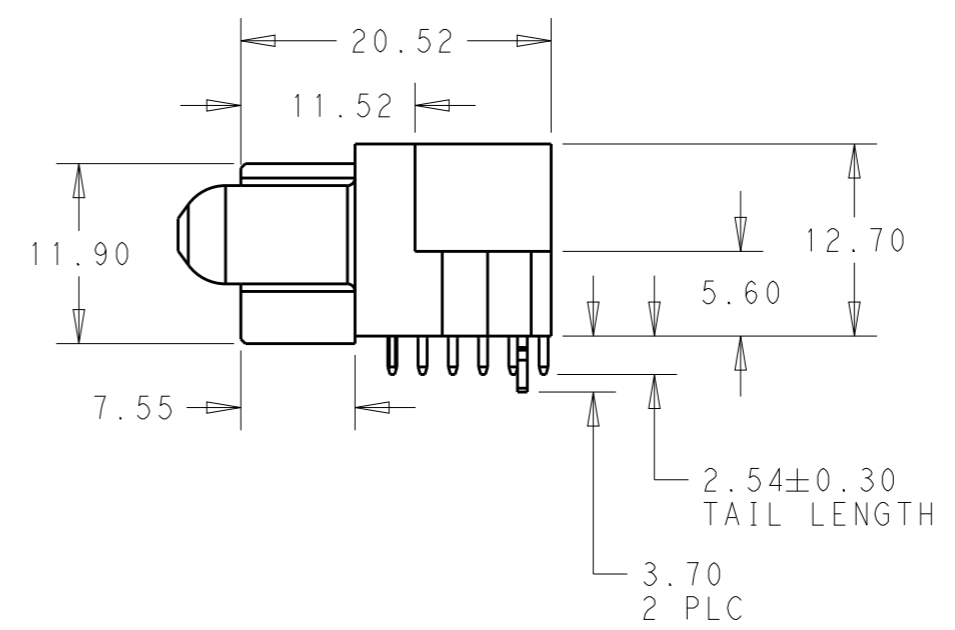


THIS DRAWING IS UNPUBLISHED. RELEASED FOR PUBLICATION 20
 © COPYRIGHT 20 BY - ALL RIGHTS RESERVED.

REVISIONS					
P	LTR	DESCRIPTION	DATE	DWN	APVD
2		UPDATE PCB LAYOUT	16JUL2019	WY	SZ
3		CHANGE HD LENGTH TO 3.70MM	22JUL2019	WY	SZ
4		CHANGE SCREW HOLE TO 1.50MM	02AUG2019	WY	SZ
5		EXCHANGE POWER PIN SEQUENCE	26AUG2019	WY	SZ



- 1 "TE", PART NUMBER, AND DATECODE TO BE MARKED IN AREA SHOWN. PARTS UNDER 2.00 LONG MAY BE MARKED ON BOTH SIDES.
- 2 MATERIAL:
HOUSING - GLASS FILLED HIGH TEMP THERMO PLASTIC, BLACK, UL94 V-O
SIGNAL CONTACT - COPPER ALLOY
POWER CONTACT - HIGH CONDUCTIVITY COPPER ALLOY
- 3 CONTACT PLATING: NOBLE METAL PLATING ON CONTACT FUNCTIONAL AREA OF POWER AND SIGNAL CONTACTS.
- 4 MECHANICAL CONNECTOR KEEP OUT ZONE.
- 5 DATUM AND BASIC DIMENSIONS ESTABLISHED BY CUSTOMER.
- 6 PCB - HOLE DIAMETERS ARE FINISHED HOLE SIZE.
- 7 PCB - .0453±.0010 DRILLED HOLES PLATED WITH .0003 MIN Sn OVER .001 TO .003 Cu PLATING TO ACHIEVE A .040 ±.003 HOLE.



5LP + 25S + 2P	2334570-8
DESCRIPTION	PART NUMBER

THIS DRAWING IS A CONTROLLED DOCUMENT.		DWN	17JUL2019	TE Connectivity NAME RIGHT ANGLE RECEPTACLE, SOLDER MULTI-BEAM PLUS	
DIMENSIONS: mm		CHK	17JUL2019		
TOLERANCES UNLESS OTHERWISE SPECIFIED:		APVD	17JUL2019		
0 PLC ±- 1 PLC ±- 2 PLC ±0.15 3 PLC ±0.05 4 PLC ±- ANGLES ±-		PRODUCT SPEC	-		
MATERIAL	FINISH	WEIGHT	-	APPLICATION SPEC	-
2	3	CUSTOMER DRAWING	SCALE 1:1	SIZE A3	CAGE CODE 00779
			SHEET 1 OF 2	DRAWING NO C-2334570-8	RESTRICTED TO -
			REV 5		

THIS DRAWING IS UNPUBLISHED.

RELEASED FOR PUBLICATION

20

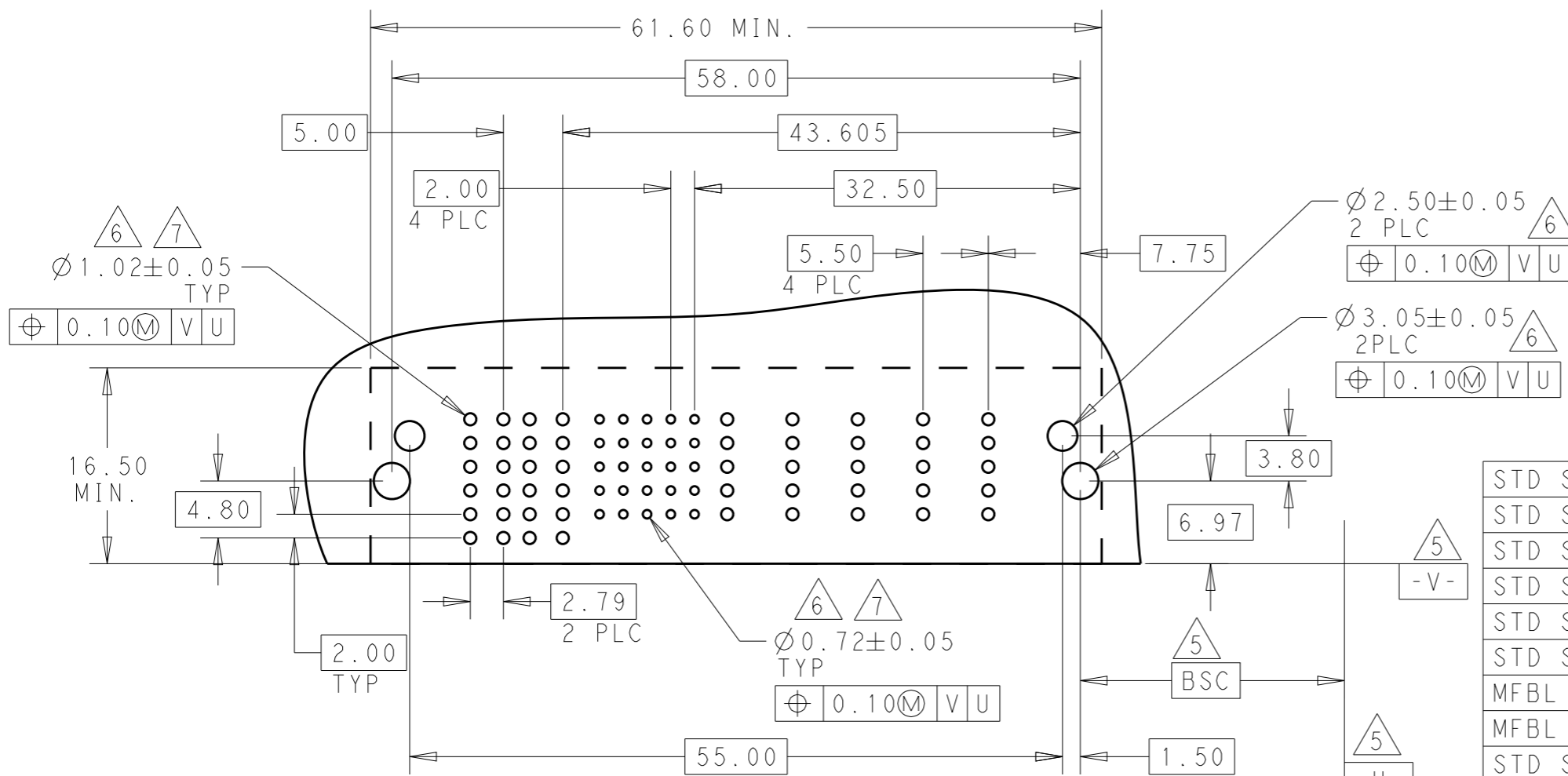
© COPYRIGHT 20 BY - ALL RIGHTS RESERVED.

REVISIONS

P	LTR	DESCRIPTION	DATE	DWN	APVD
		SEE SHEET 1			


PART NUMBER	ROWS	POWER		SIGNAL					LOW POWER				
		P2	P1	5	4	3	2	1	LP5	LP4	LP3	LP2	LP1
2334570-8	E			V5	V5	V5	V5	V5					
	D			V4	V4	V4	V4	V4					
	C	RN	RM	RNF	RMF	V3	V3	V3	V3	LM	LM	LM	LM
	B			V2	V2	V2	V2	V2					
	A	HD			V1	V1	V1	V1	V1				

5LP+25S+2P



STD SOLDER LOW POWER CONTACT	LM
STD SOLDER TYPE SIGNAL CONTACT, R/A, ROW E	V5
STD SOLDER TYPE SIGNAL CONTACT, R/A, ROW D	V4
STD SOLDER TYPE SIGNAL CONTACT, R/A, ROW C	V3
STD SOLDER TYPE SIGNAL CONTACT, R/A, ROW B	V2
STD SOLDER TYPE SIGNAL CONTACT, R/A, ROW A	V1
MFBL SOLDER POWER CONTACT, RIGHT	RNF
MFBL SOLDER POWER CONTACT, LEFT	RMF
STD SOLDER POWER CONTACT, RIGHT	RN
STD SOLDER POWER CONTACT, LEFT	RM
HOUSING	HOUSING
HOLD DOWN, MULTI-BEAM	HD
DESCRIPTION	IDENTIFIER

RECOMMENDED PCB LAYOUT

THIS DRAWING IS A CONTROLLED DOCUMENT.		DWN WY 17JUL2019	 TE Connectivity
DIMENSIONS: mm		CHK WY 17JUL2019	
TOLERANCES UNLESS OTHERWISE SPECIFIED:		APVD S7 17JUL2019	
0 PLC ±- 1 PLC ±- 2 PLC ±0.15 3 PLC ±0.05 4 PLC ±- ANGLES ±-		NAME RIGHT ANGLE RECEPTACLE, SOLDER MULTI-BEAM PLUS	
MATERIAL	FINISH	PRODUCT SPEC	SIZE CAGE CODE DRAWING NO RESTRICTED TO
- 2	- 3	APPLICATION SPEC	A300779 C-2334570-8
CUSTOMER DRAWING		WEIGHT	SCALE 1:1 SHEET 2 OF 2 REV 5