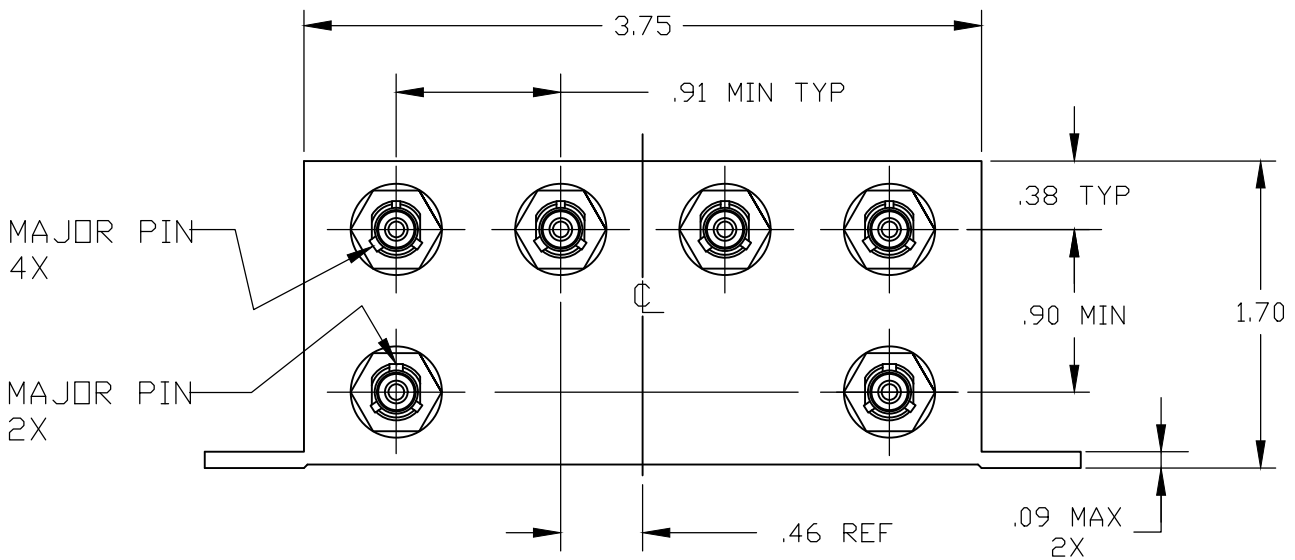
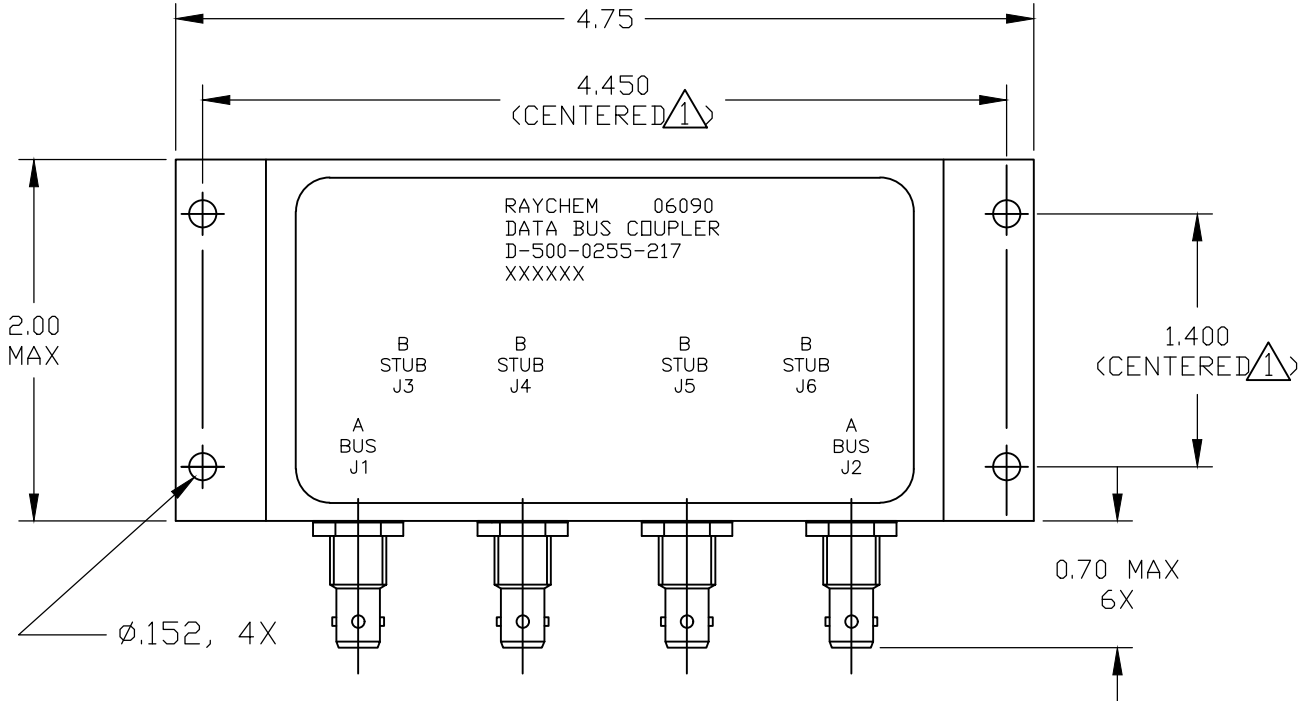


REVISIONS					
P	LTR	DESCRIPTION	DATE	DWN	APVD
	E1	AS PER ECO-20-010849	03AUG2020	RJ	IM

NOTES:

- 1 HOLE PATTERN MACHINED SYMMETRICAL WITHIN MOUNTING FLANGE.
2. DIMENSIONING AND TOLERANCING PER ASME Y14.5M-2009



TE Connectivity. All Rights Reserved.

-

©

DIMENSIONS: INCHES	DWN	A.REJISH	27JUL2020	MATERIAL	-	FINISH	-		
	CHK	N.HEGDE	27JUL2020						
TOLERANCES UNLESS OTHERWISE SPECIFIED:	APVD	I.MYONG	27JUL2020						
0 PLC ± -	PRODUCT SPEC	4 STUB DATABUS BAYONET COUPLER WITH TRIAXIAL CONNECTORS							
1 PLC ± -	APPLICATION SPEC								
2 PLC ± 0.03	WEIGHT	NAME: A4 06090 C-D-500-0255-217							
3 PLC ± 0.010									
4 PLC ± -		SIZE	CAGE CODE	DRAWING NO	RESTRICTED TO				
ANGLES ± -		A4	06090	C-D-500-0255-217	-				
		CUSTOMER DRAWING		SCALE	DNS	SHEET	1 OF 2	REV	E1

REVISIONS					
P	LTR	DESCRIPTION	DATE	DWN	APVD
-	-	SEE SHEET 1	-	-	-

1.0 INTERMATEABILITY

1.1 POSITIONS J1 AND J2, TRIAXIAL JACK, D-621-0434 (WITH D-602-0127 CONTACT INSTALLED) WILL MATE WITH TRIAXIAL PLUG, INTERFACE "A" DK-621-0433-1P.

1.2 POSITIONS J3, J4, J5 AND J6, TRIAXIAL BAYONET JACK, D-621-0436 (WITH D-602-0126 CONTACT INSTALLED) WILL MATE WITH TRIAXIAL BAYONET PLUG. INTERFACE "B", D-621-0435 WITH D-602-0127.

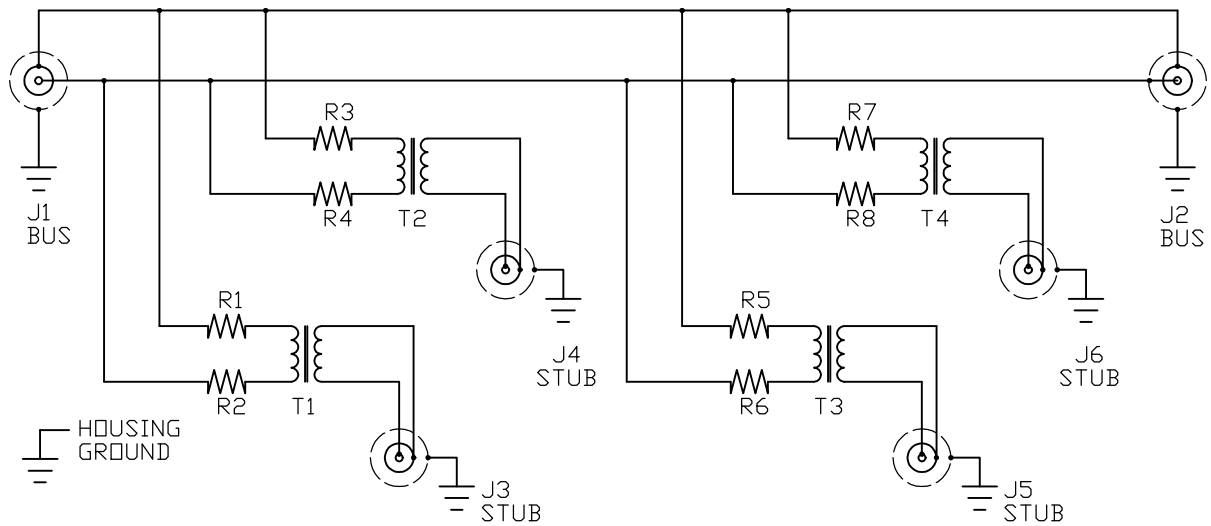
2.0 PERFORMANCE

2.1 THIS COUPLER IS DESIGNED TO MEET THE APPLICABLE FUNCTIONAL REQUIREMENT OF RAYCHEM SPECIFICATION D-6021.

2.2 THE COUPLER SHALL OPERATE UNDER ANY OF THE ENVIRONMENTAL SERVICE CONDITIONS AS SPECIFIED IN MIL-E-5400, CLASS ∇ UPGRADED TO 125°C CONTINUOUS OPERATION.

2.3 ALTITUDE: SEA LEVEL TO 75,000 FEET

SCHEMATIC DIAGRAM



TE Connectivity. All Rights Reserved.



DIMENSIONS: INCHES	DWN	A.REJISH	27JUL2020	MATERIAL	-	FINISH	-							
	CHK	N.HEGDE	27JUL2020	TE Connectivity										
TOLERANCES UNLESS OTHERWISE SPECIFIED:	APVD	I.MYONG	27JUL2020					NAME 4 STUB DATABUS BAYONET COUPLER WITH TRIAXIAL CONNECTORS						
	PRODUCT SPEC	-	-	SIZE	A4	CAGE CODE	06090					DRAWING NO	C-D-500-0255-217	RESTRICTED TO
0 PLC ± -	1 PLC ± -	2 PLC ± 0.03	3 PLC ± 0.010	4 PLC ± -	ANGLES ± -	WEIGHT	-	CUSTOMER DRAWING	SCALE	DNS	SHEET	2 OF 2	REV	E1