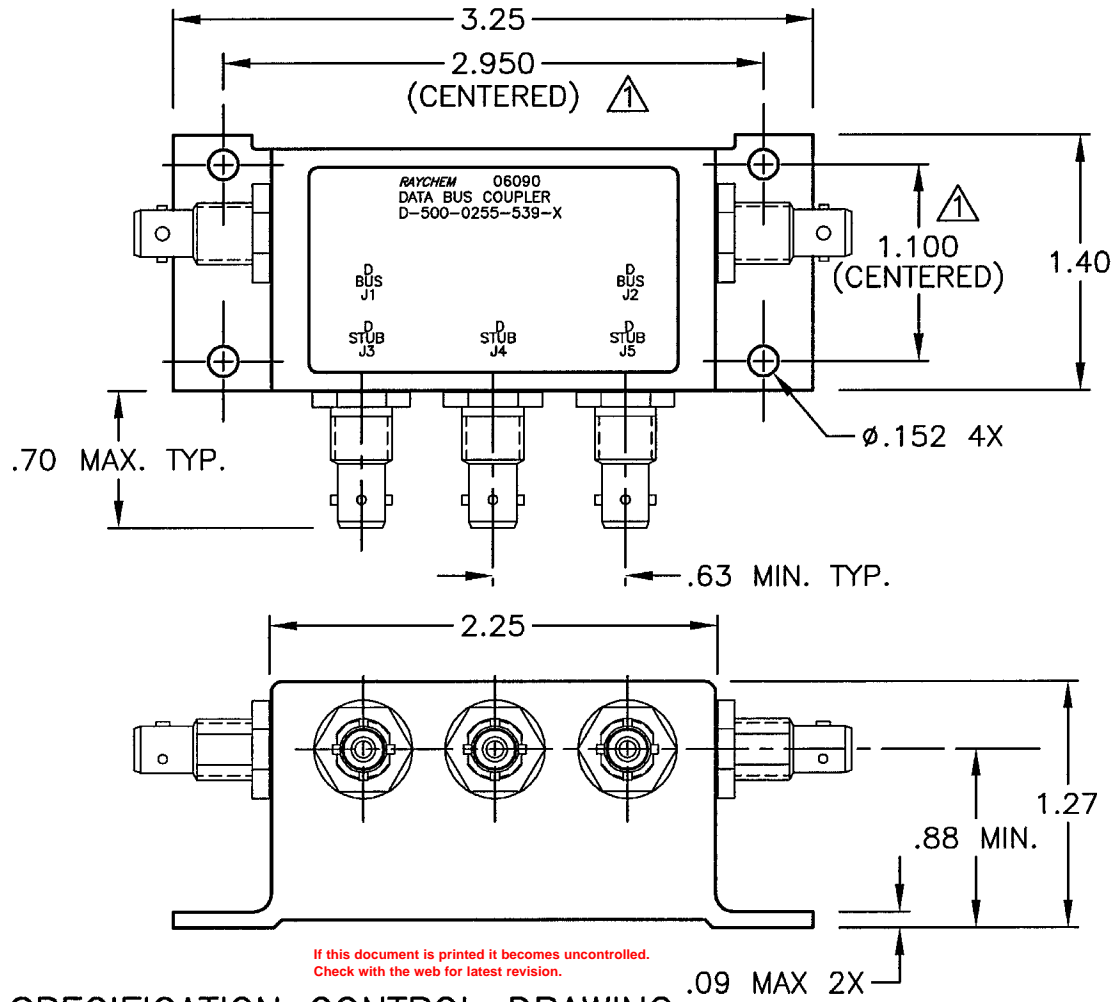


REVISIONS			
LTR	DESCRIPTION	DATE	APPROVED
N/C	INITIAL RELEASE PER ECN# T-19839	95MAR15	Z.E.T.
A	REVISED PER ECN# T-20334	95AUG2	35

⚠ HOLE PATTERN MACHINED SYMMETRICAL TO MOUNTING FLANGE.



If this document is printed it becomes uncontrolled.
Check with the web for latest revision.

SPECIFICATION CONTROL DRAWING

UNLESS OTHERWISE SPECIFIED
DIMENSIONS ARE IN INCHES.
METRIC DIMENSIONS ARE
IN BRACKETS.

DECIMALS
 .XXX ± .010 [— mm]
 .XX ± .03 [— mm]

ANGLES
 .X ± —

WEIGHT
 115 GRAMS NOM.

DRAWN	D.C.P.	95FEB01
CHECKED	Z.E.T.	95MAR15
APPROVED	P.J.D.	95MAR15
APPROVED		
CAD NAME 001777-1.DWG		
THIRD ANGLE PROJECTION		

Raychem		RAYCHEM CORPORATION 300 CONSTITUTION DRIVE MENLO PARK, CALIFORNIA 94025	
TITLE 3 STUB DATA BUS COUPLER WITH BAYONET CONNECTORS			
SIZE A	CODE IDENT. NO. 06090	DWG. NO. D-500-0255-539-X	REV A
DO NOT SCALE THIS DRAWING			SHEET 1 OF 2

1.0 INTERMATEABILITY

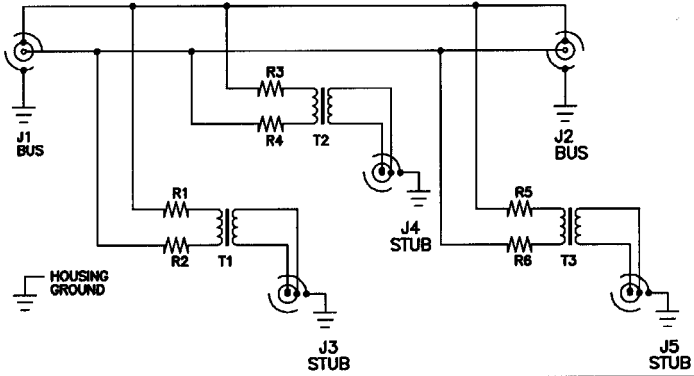
CONNECTOR BOX JACK	MATING PLUG
DK-621-0440-4P (8912004-00-04)	DK-621-0439-4S (8912003-00-08)
DK-621-0440-4S (8912004-00-08)	DK-621-0439-4P (8912003-00-04)

2.0 PERFORMANCE

- 2.1 THIS COUPLER IS DESIGNED TO MEET THE APPLICABLE FUNCTIONAL REQUIREMENT OF RAYCHEM SPECIFICATION D-6021 AND USAF 8912008.
 - 2.2 THE COUPLER SHALL OPERATE UNDER ANY OF THE ENVIRONMENTAL SERVICE CONDITIONS AS SPECIFIED IN MIL-E-5400, CLASS ∇ UPGRADED TO 125°C CONTINUOUS OPERATION.
 - 2.3 ALTITUDE: SEA LEVEL TO 75,000 FEET
- 3.0

D-500-0255	BUS JACKS J1 AND J2	STUB JACKS J3 THRU J5
-539-2	DK-621-0440-4S (8912004-00-08)	DK-621-0440-4P (8912004-00-04)
-539-3	DK-621-0440-4P (8912004-00-04)	DK-621-0440-4S (8912004-00-04)

SCHMATIC DIAGRAM



If this document is printed it becomes uncontrolled.
Check with the web for latest revision.

CAD NAME: 001777-2	DRAWN	D.C.P.	95FEB01	SIZE	CODE IDENT. NO.	DWG. NO.
	ISSUED			A	06090	D-500-0255-539-X
DO NOT SCALE THIS DRAWING						SHEET 2 OF 2