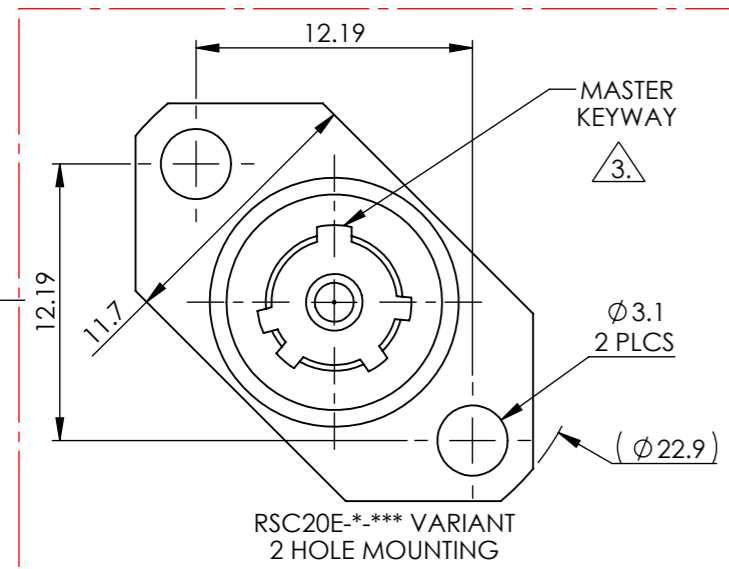
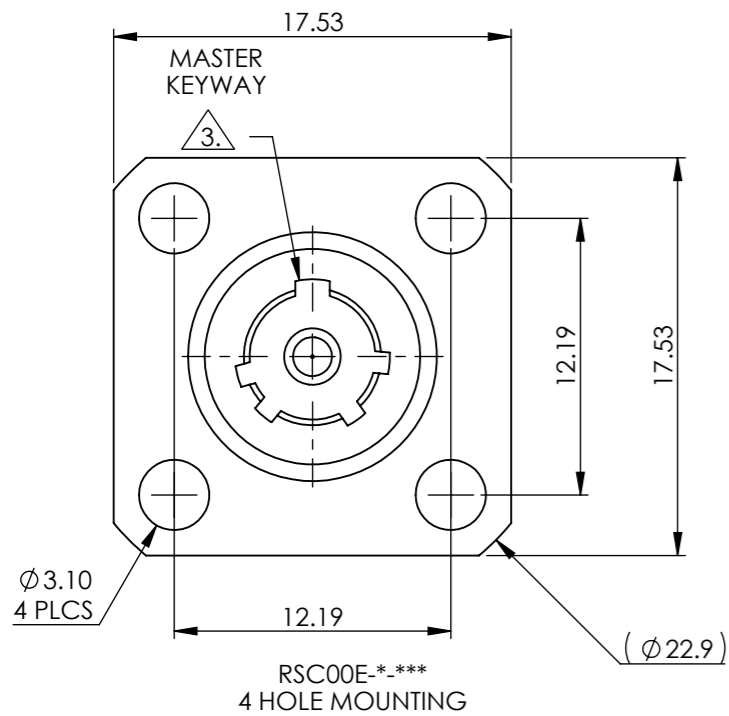


DRAWING NUMBER:
454651-ENV



NOTES:

- 1. ITEM TO BE PACKED IN A PLASTIC BAG MARKER WITH A MINIMUM OF TE PART NUMBER AND DATE CODE
- 2. FERRULE ASSEMBLY NOT SUPPLIED WITH CONNECTOR, SEE D456099-ENV
- 3. MASTER KEYWAY ONLY FOR RSC00E-U-***. UNIVERSAL CONNECTOR INTERMATEABLE WITH ALL KEY VARIANTS ON RSC PLUG
- 4. DATE CODE AND PART NUMBER: H9904D RSC00E - N - ***

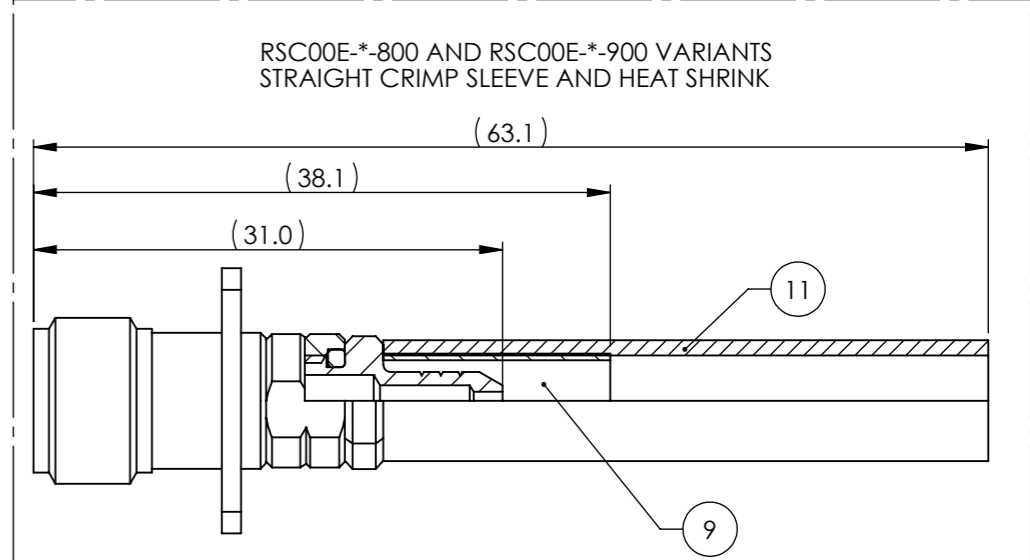
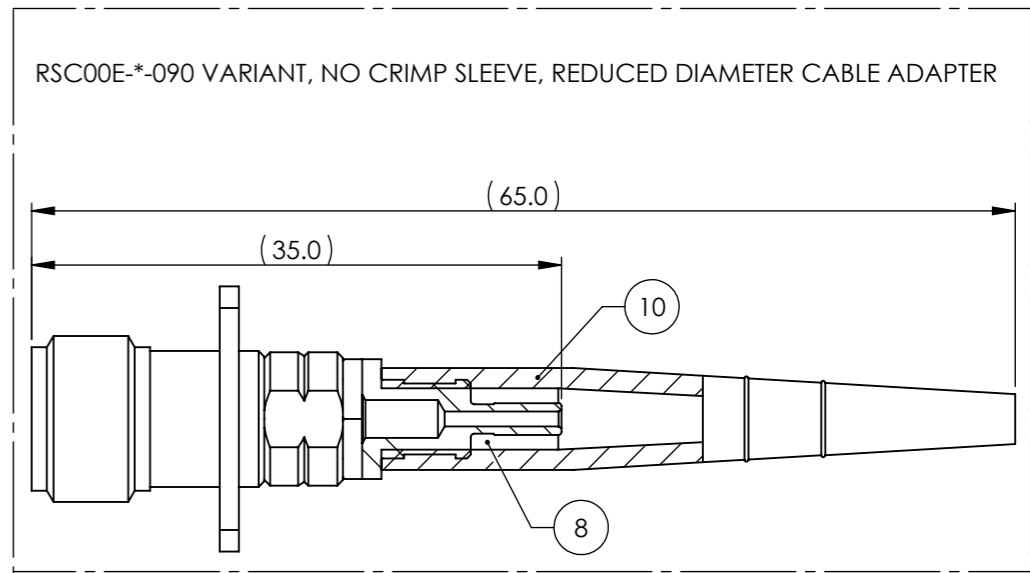
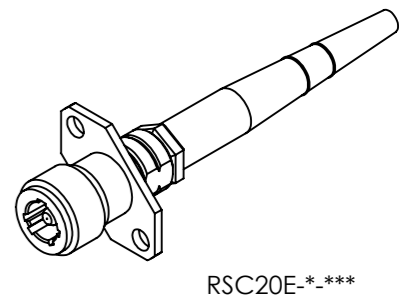
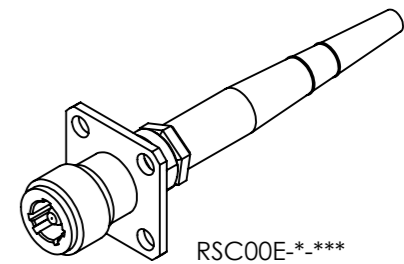
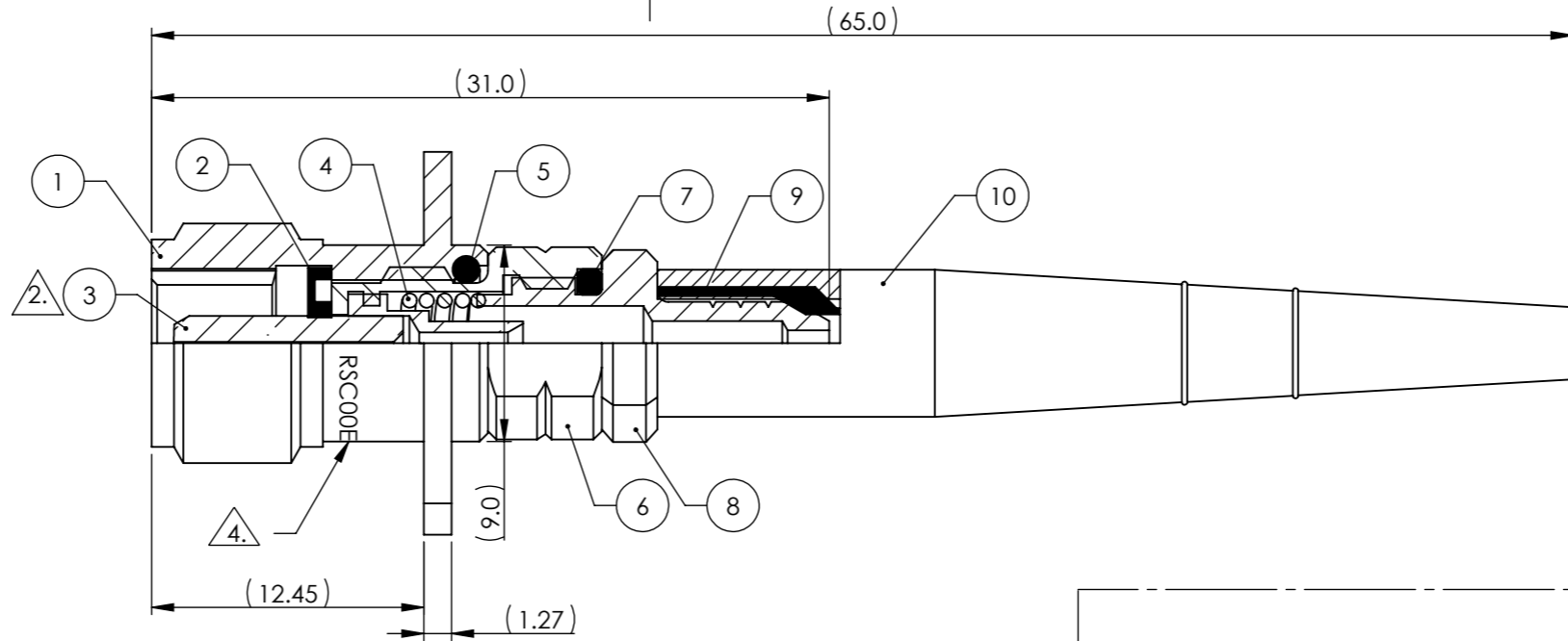
DATE CODE
CONNECTOR TYPE:
RSC00E : 4 HOLE MOUNTING
RSC20E: 2 HOLE MOUNTING

KEY:
N, A, B, C, D, E, U

CABLE DIAMETER:

- 090 = Ø0.9mm
- 100 = Ø2.5mm
- 180 = Ø1.8mm
- 200 = Ø2.0mm
- 300 = Ø1.65mm
- 400 = Ø3.0mm
- 500 = Ø3.2mm
- 600 = Ø2.1mm
- 700 = Ø1.6mm (GLASS BRAID)
- 800 = Ø3.7mm
- 900 = Ø5.0mm

ITEM No	DESCRIPTION
1	RECEPTACLE SHELL
2	FRONT SEAL (FITTED)
3	RSC TERMINI (SEE NOTE 2)
4	SPRING
5	O-RING 4.0 X 1.25 (FITTED)
6	PLUG FERRULE CARRIER
7	O-RING 3.0 X 1.5 (FITTED)
8	CABLE ADAPTOR
9	CRIMP SLEEVE
10	STRAIN RELIEF BOOT
11	HEATSHRINK SLEEVE



BS8888 THIRD ANGLE PROJECTION		MATERIAL: SEE TABLE		FINISH:	
UNLESS OTHERWISE STATED: DIMENSIONS: mm [INCHES]		TITLE: RSC RECEPTACLE ASSEMBLY		TYPE: CUSTOMER DRAWING	
IF IN DOUBT, ASK		SIZE: A3	SCALE: 1:1	DRAWING NUMBER: 454651-ENV	
		SHEET: 1 OF 1	ISSUE: AA		



DEUTSCH
TE CONNECTIVITY UK LTD.,
ST. LEONARDS-ON-SEA,
TN38 9RF, UK.

THIS INFORMATION IS CONFIDENTIAL AND PROPRIETARY TO TYCO ELECTRONICS CORPORATION AND ITS WORLDWIDE SUBSIDIARIES AND AFFILIATES (TE). IT MAY NOT BE DISCLOSED TO ANYONE OTHER THAN TE PERSONNEL, WITHOUT AUTHORIZATION FROM TE (www.te.com).