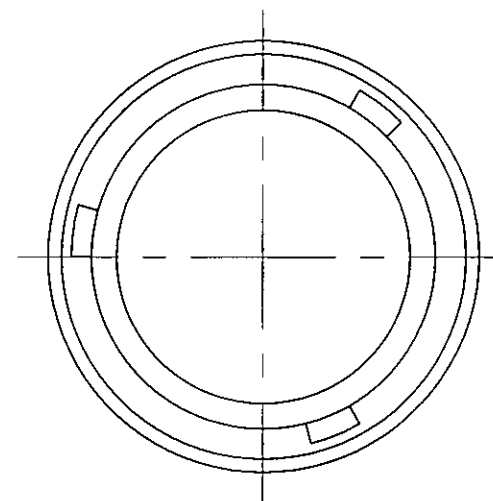
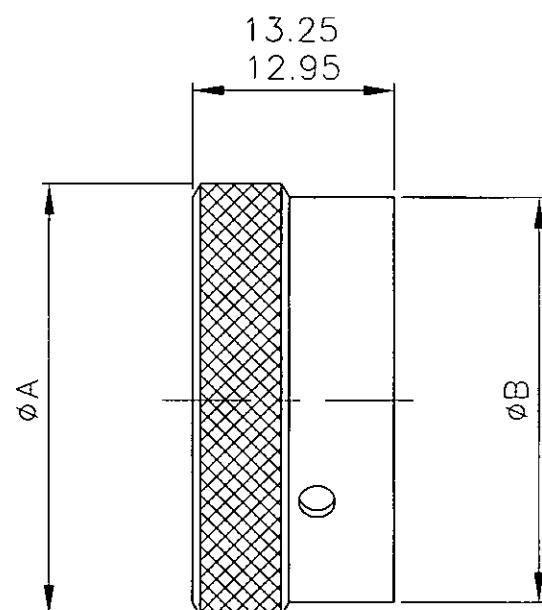
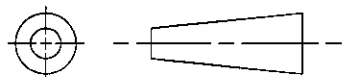


DRAWING NUMBER


603597-ENV

A3

BS 308
THIRD ANGLE PROJECTION

SIZE	PART No.	ϕA MAX	$\phi B \pm 0.20$
08	AS908	17.65	15.85
10	AS910	20.75	18.95
12	AS912	25.15	23.35
14	AS914	28.35	26.55
16	AS916	31.45	29.65
18	AS918	34.75	32.95
20	AS920	38.15	36.35
22	AS922	41.25	39.45
24	AS924	44.55	42.75

NOTE :-
ALL DIMENSIONS ARE FOR REFERENCE ONLY.

						MATERIAL ----- -----	© THE COPYRIGHT OF THIS DRAWING IS RESERVED BY DEUTSCH LTD. IT IS ISSUED ON CONDITION THAT IT IS NOT COPIED, REPRODUCED OR DISCLOSED TO A THIRD PARTY EITHER WHOLLY OR IN PART WITHOUT THE CONSENT IN WRITING OF DEUTSCH LTD.	GENERAL TOLERANCES UNLESS OTHERWISE STATED. ±0.4mm ON WHOLE NUMBERS ±0.2mm ON ONE PLACE DECIMALS ±0.1mm ON TWO PLACE DECIMALS ±1/2° ON ANGLES ±0.05mm ON DRILLED HOLES REMOVE ALL BURRS AND SHARP EDGES 0.1 MAX. UNLESS OTHERWISE STATED.	 DEUTSCH LTD EAST GRINSTEAD, WEST SUSSEX, RH19 1RW TEL:- (01342) 410033	TITLE AS PRO-CAP TYPE 9 (RECEPT) ENVELOPE DETAILS	DRAWING NUMBER 603597-ENV
01	043407	NDL	PJB	<i>[Signature]</i>	18/07/03	HEAT TREATMENT & FINISH ----- -----				SCALE 2:1	DIMS. IN MILLIMETRES
ISSUE	CHANGE NOTE	DRAWN	CHECKED	APP. ENG.	DATE	APP. IED.					