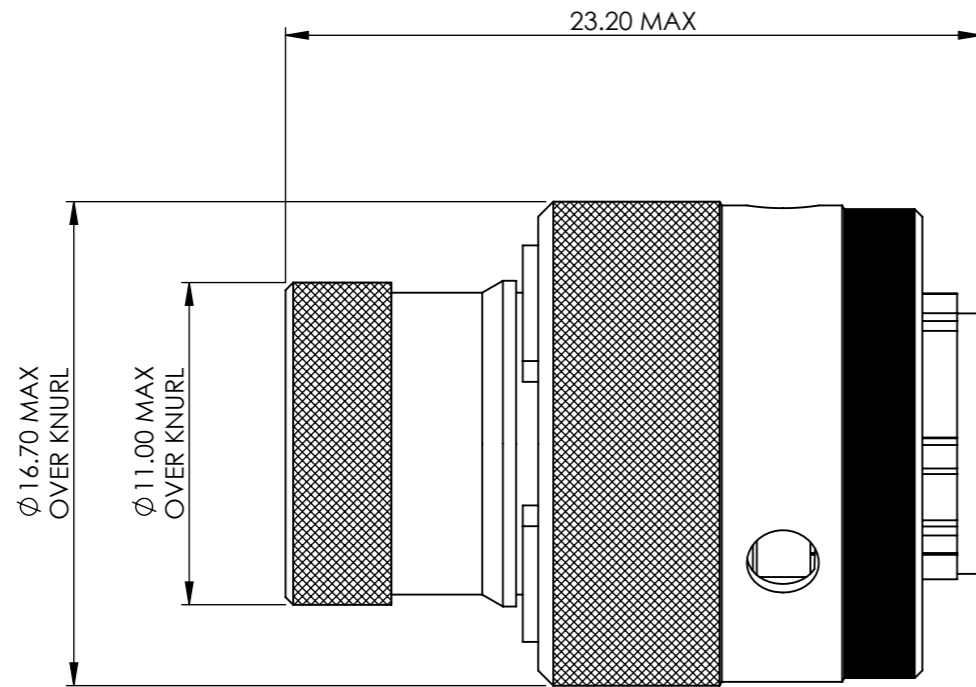
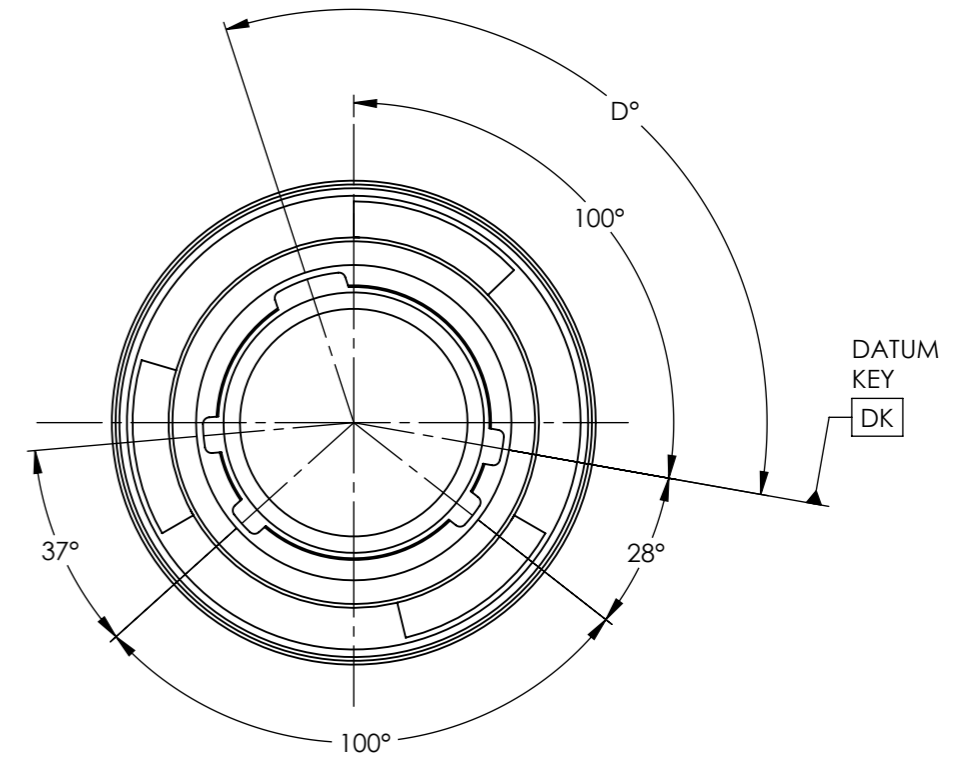


DRAWING NUMBER:
604889-ENV

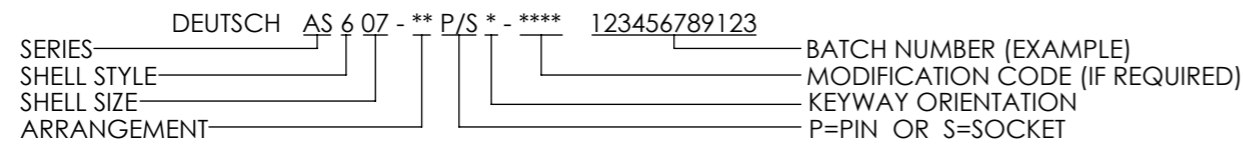


KEY ORIENTATIONS	A	B	N
ANGLE 'D'	82°	118°	100°



NOTES:

1. PART NUMBER AND BATCH NUMBER BREAKDOWN



THIS INFORMATION IS CONFIDENTIAL AND PROPRIETARY TO TYCO ELECTRONICS CORPORATION AND ITS WORLDWIDE SUBSIDIARIES AND AFFILIATES (TE). IT MAY NOT BE DISCLOSED TO ANYONE OTHER THAN TE PERSONNEL, WITHOUT AUTHORIZATION FROM TE (www.te.com).

AA	DUK-71291	NDL	KSC	RJM	MB	28/01/2020
ISSUE	CHANGE NOTE	DRAWN	CHECKED	APP. ENG.	APP. MARKETING	DATE

BS8888 THIRD ANGLE PROJECTION	MATERIAL: -----	FINISH: -----	 DEUTSCH TE CONNECTIVITY UK LTD., ST. LEONARDS-ON-SEA, TN38 9RF, UK.
	UNLESS OTHERWISE STATED: DIMENSIONS: mm [INCHES]		
IF IN DOUBT, ASK	SIZE: A3	SCALE: 4:1	DRAWING NUMBER: 604889-ENV
			SHEET: 1 OF 1
			ISSUE: AA