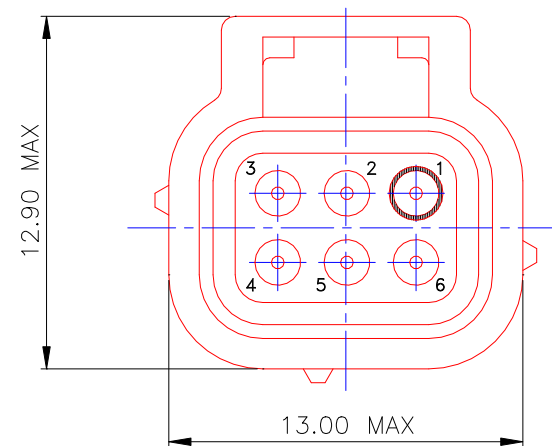
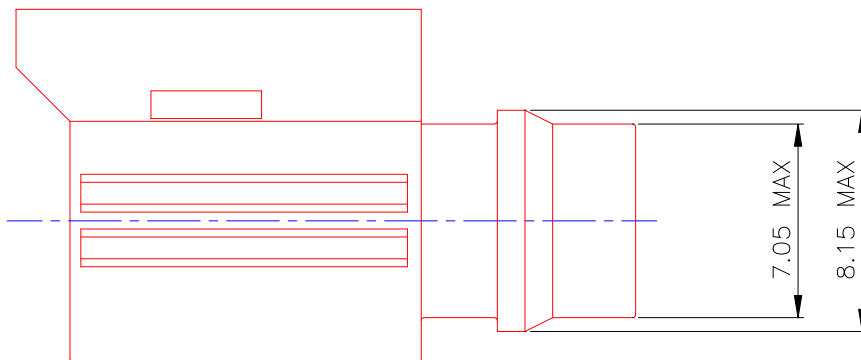
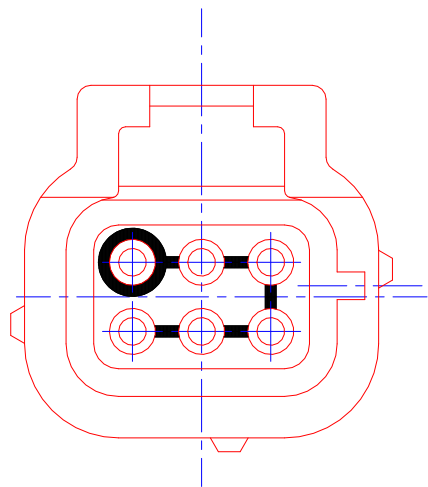


COLOUR MARKING AND PART No. CODE.
SEE TABLE FOR PART No. REFERENCE

| KEY | COLOUR BAND | PART NUMBER | PART CODE |
|-----|-------------|-------------|-----------|
| N | RED | ASC105-06SN | A105-06SN |
| A | YELLOW | ASC105-06SA | A105-06SA |
| B | BLUE | ASC105-06SB | A105-06SB |
| C | ORANGE | ASC105-06SC | A105-06SC |
| D | GREEN | ASC105-06SD | A105-06SD |
| E | GREY | ASC105-06SE | A105-06SE |



MATERIAL

HEAT TREATMENT & FINISH

© THE COPYRIGHT OF THIS DRAWING IS RESERVED BY DEUTSCH LTD. IT IS ISSUED ON CONDITION THAT IT IS NOT COPIED, REPRODUCED OR DISCLOSED TO A THIRD PARTY EITHER WHOLLY OR IN PART WITHOUT THE CONSENT IN WRITING OF DEUTSCH LTD.

GENERAL TOLERANCES UNLESS OTHERWISE STATED.

±0.4mm ON WHOLE NUMBERS
±0.2mm ON ONE PLACE DECIMALS
±0.1mm ON TWO PLACE DECIMALS
±1/2° ON ANGLES
±0.05mm ON DRILLED HOLES

REMOVE ALL BURRS AND SHARP EDGES 0.1 MAX. UNLESS OTHERWISE STATED.



DEUTSCH
LTD

® EAST GRINSTEAD, WEST SUSSEX, RH19 1RW TEL:- (01342) 410033

TITLE
ASC RECEPTACLE ASSEMBLY
ENVELOPE DETAILS

DRAWING NUMBER
604954-ENV