

SPECIFICATIONS

1. MATERIALS:

- ALUMINIUM ALLOY SHELL WITH BLACK ZINC PLATING.
- GOLD PLATED COPPER ALLOY CONTACT.
- RESILIENT THERMOPLASTIC INSULATORS.
- FLOURINATED SILICONE INTERFACIAL SEAL.

2. CONTACT CRIMP BARRELS TO MATCH CABLE SIZES:
16mm², 25mm² AND 35mm².

3. SERVICE RATING AT STANDARD TEMPERATURE AND PRESSURE.

- CONTINUOUS CURRENT = 125A.
- 150A FOR UP TO 4 HOURS.
- UP TO 3 MINUTES AT 200A. (DEPENDANT UPON AMBIENT TEMPERATURE. REFER TO FACTORY)

SERVICE RATINGS ARE DEPENDANT ON ENVIRONMENTAL CONDITIONS. AT ELEVATED ENVIRONMENTAL TEMPERATURES DERATING OF THE ABOVE FIGURES WILL BE REQUIRED.

4. TEMPERATURE RATING -55°C TO 175°C. THE UPPER LIMIT IS THE MAXIMUM TEMPERATURE RESULTING FROM A COMBINATION OF AMBIENT TEMPERATURE AND HEATING DUE TO CURRENT.

5. DATE CODE AND PART NUMBER:

605662-14SN-25 RP*****

BASIC NUMBER ————

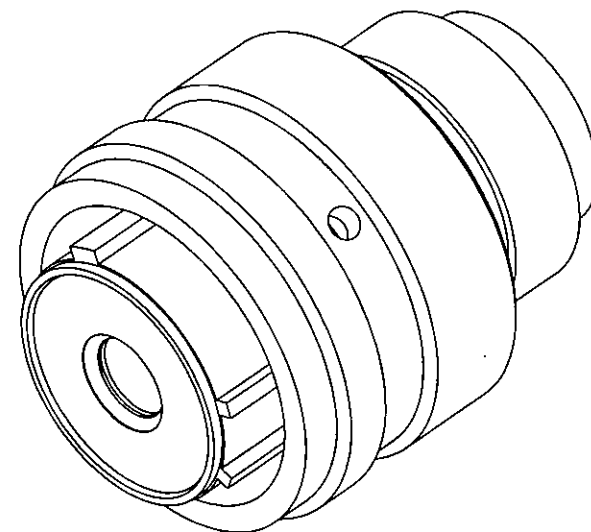
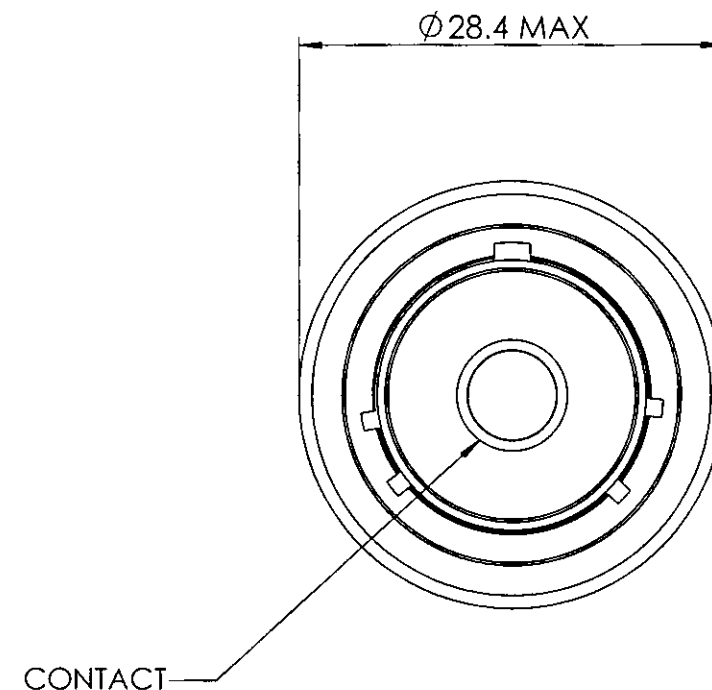
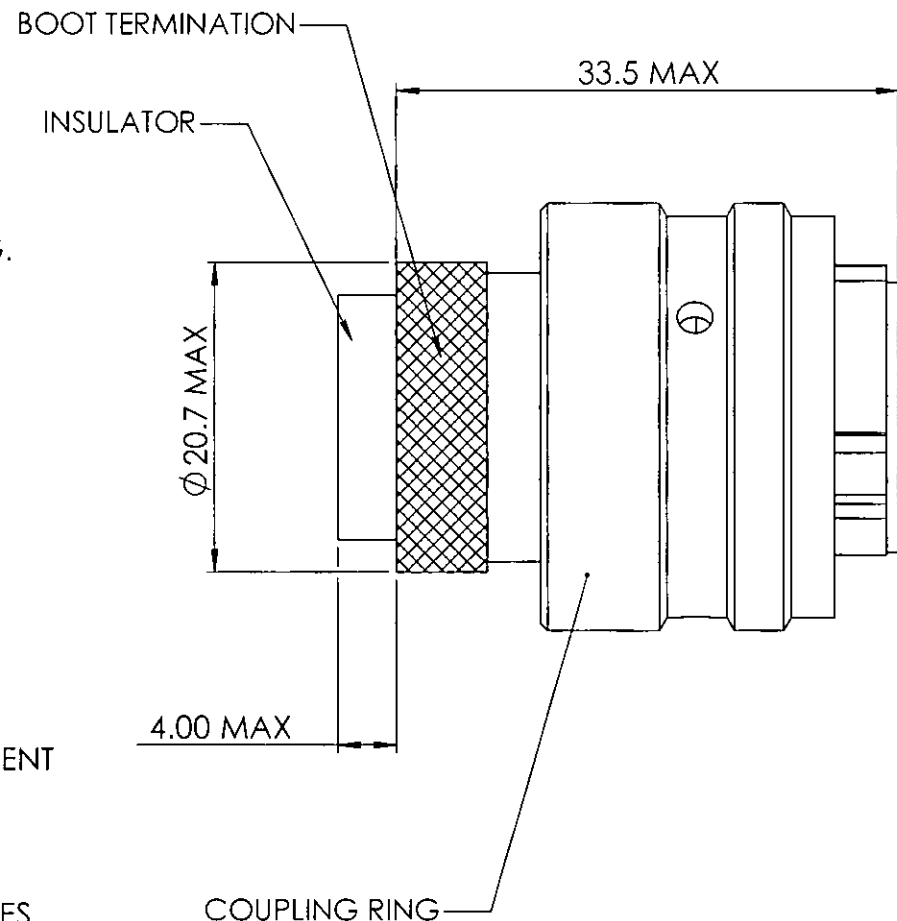
SHELL SIZE ————

CONTACT: S = SOCKET

BATCH NUMBER ————

CRIMP BARREL SIZE ————

KEYWAY ORIENTATION ————



MATERIAL		SEE NOTES		HEAT TREATMENT & FINISH		SEE NOTES		PACKAGING		<p>© THE COPYRIGHT OF THIS DRAWING IS RESERVED BY DEUTSCH LTD. IT IS ISSUED ON CONDITION THAT IT IS NOT COPIED, REPRODUCED OR DISCLOSED TO A THIRD PARTY EITHER WHOLLY OR IN PART WITHOUT THE CONSENT IN WRITING OF DEUTSCH LTD.</p> <p>GENERAL TOLERANCES UNLESS OTHERWISE STATED. ±0.4mm ON WHOLE NUMBERS ±0.2mm ON ONE PLACE DECIMALS ±0.1mm ON TWO PLACE DECIMALS ±1/2° ON ANGLES ±0.05mm ON DRILLED HOLES ALL DIAMETERS $\text{Ⓢ} \text{Ⓢ} 0.10$</p> <p>REMOVE ALL BURRS AND SHARP EDGES 0.1 MAX. UNLESS OTHERWISE STATED.</p> <p>DIMENSIONS IN MILLIMETRES UNLESS OTHERWISE STATED</p>	
A	043860	KLD	<i>[Signature]</i>	18/11/03							
ISSUE	CHANGE NOTE	DRAWN	CHECKED	APP. ENG.	APP. B.U.	DATE	APP. I.E.D.	SCALE	2:1		



DEUTSCH
A STEP AHEAD IN TECHNOLOGY (LTD)

ST LEONARDS ON SEA, EAST SUSSEX, TN38 9RF
TEL. +44 (0)1424 852721

TITLE

FREE PLUG
SINGLE POLE HIGH POWER
AUTOSPORT CONNECTOR

DRAWING NUMBER

605662-ENV