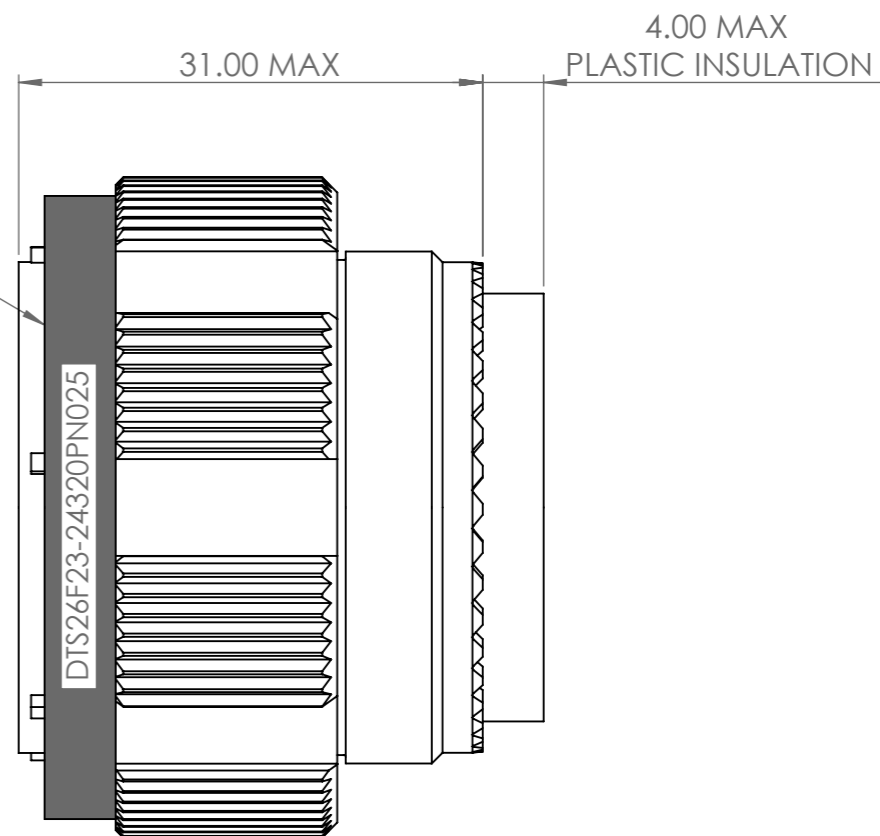


PART NO. & DATE CODE MARKED OVER CONTACT REAR RELEASE INDICATOR BAND (BLUE)



NOTES

- PART No. BREAKDOWN EXAMPLE:- H***D DTS 26 F 23 - 24320 S N - ***
 DATE CODE
 BASIC SERIES
 SHELL STYLE
 FINISH
 W=CAD OLIVE DRAB PLATING F=NICKEL PLATING
 Z=ZINC COBALT PLATING
 SHELL SIZE
 POWER CRIMP CODE (SEE NOTE 7)
 SHELL KEYING: N, A, B, C, D or E
 CONTACT TYPE: P=PIN, S=SOCKET
 INSERT ARRANGEMENT - 2 x SIZE 4 CONTACTS
 - 3 x SIZE 20 CONTACTS
- CONNECTOR MATERIALS:-
 - ALUMINIUM ALLOY SHELL PLATED.
 - GOLD PLATED COPPER ALLOY CONTACTS.
 - RESILIENT THERMOPLASTIC INSULATORS.
 - FLUORINATED SILICONE INTERFACIAL SEAL.
- SIZE 20 CONTACT CRIMP BARRELS ARE IN ACCORDANCE WITH AS39029.

NOTES (CONTINUED)

- CONTACT SERVICE RATINGS :-
 - SIZE 4 CONTACT SERVICE RATING (DEPENDANT UPON AMBIENT TEMPERATURE) :-
 CONTINUOUS CURRENT = 150A (REFER TO FACTORY FOR MORE INFORMATION)
 FOR APPLICATIONS REQUIRING A CURRENT RATING GREATER THAN 150A REFER TO FACTORY.
 - SIZE 20 CONTACT SERVICE RATING IN ACCORDANCE WITH AS39029.
- TEMPERATURE RATING -65°C TO +175°C. THE UPPER LIMIT IS THE MAXIMUM TEMPERATURE RESULTING FROM A COMBINATION OF AMBIENT TEMPERATURE AND HEATING DUE TO CURRENT.
- CONTACT CAVITY IDENTIFICATION, PIN CLOCKWISE, SOCKET ANTI-CLOCKWISE. PIN VERSION SHOWN ABOVE.
- FOR DETAILS OF POWER CRIMP CODE SELECTION REFER TO DOCUMENT NUMBER 61 1086.

MATERIAL							© THE COPYRIGHT OF THIS DRAWING IS RESERVED BY DEUTSCH UK. IT IS ISSUED ON CONDITION THAT IT IS NOT COPIED, REPRODUCED OR DISCLOSED TO A THIRD PARTY EITHER WHOLLY OR IN PART WITHOUT THE CONSENT IN WRITING OF DEUTSCH UK.	GENERAL TOLERANCES UNLESS OTHERWISE STATED.		DEUTSCH ST LEONARDS ON SEA, EAST SUSSEX, TN38 9RF TEL. +44 (0)1424 852721	TITLE DTS PLUG.POWER.SIZE 23. 24320 PLANFORM. ENVELOPE DETAILS.	DRAWING NUMBER 605728-ENV
F	58150	NDL	ADH	KJF	GLB	03/02/10		HEAT TREATMENT & FINISH	±0.4mm ON WHOLE NUMBERS			
E	57850	ADH	NDL	NDL	GLB	17/12/09		PACKAGING	±0.2mm ON ONE PLACE DECIMALS ±0.1mm ON TWO PLACE DECIMALS ±1/2° ON ANGLES ±0.05mm ON DRILLED HOLES ALL DIAMETERS ϕ 0.10			
D	52502	PDH	MJL	IKG	AW	26/05/06		APP. I.E.D.	REMOVE ALL BURRS AND SHARP EDGES 0.1 MAX. UNLESS OTHERWISE STATED.			
C	50038	NDL	IKG	IKG	AS	23/08/04	SCALE	2:1	DIMENSIONS IN MILLIMETRES UNLESS OTHERWISE STATED			
ISSUE	CHANGE NOTE	DRAWN	CHECKED	APP. ENG.	APP. MARKETING	DATE						