

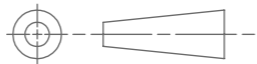
DRAWING NUMBER

610002-ENV

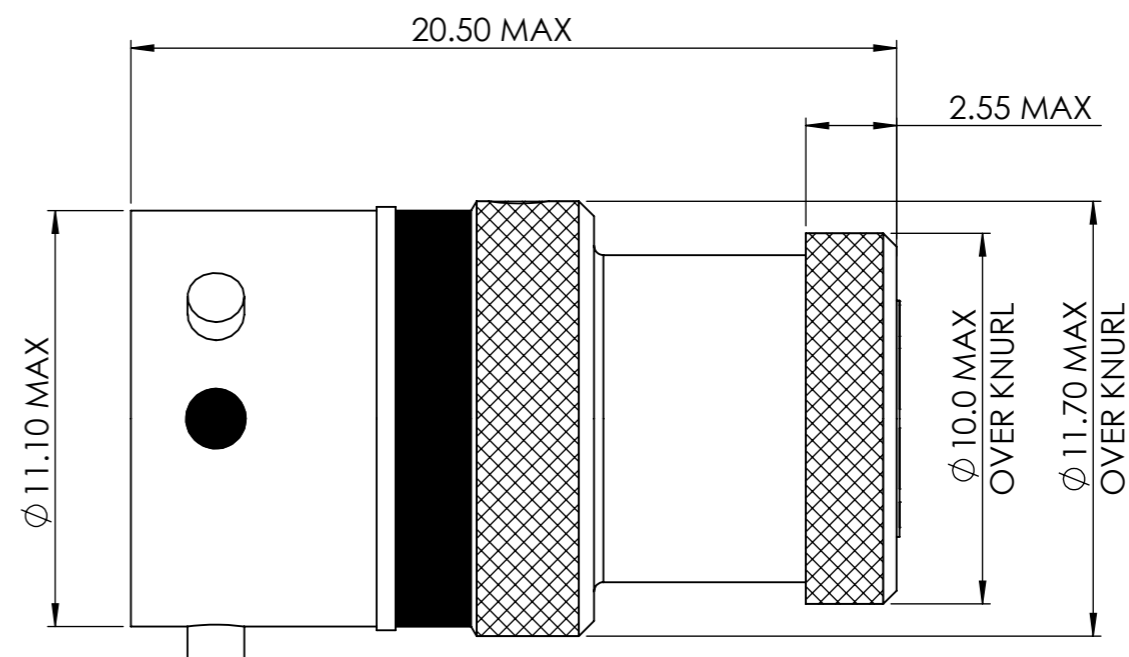
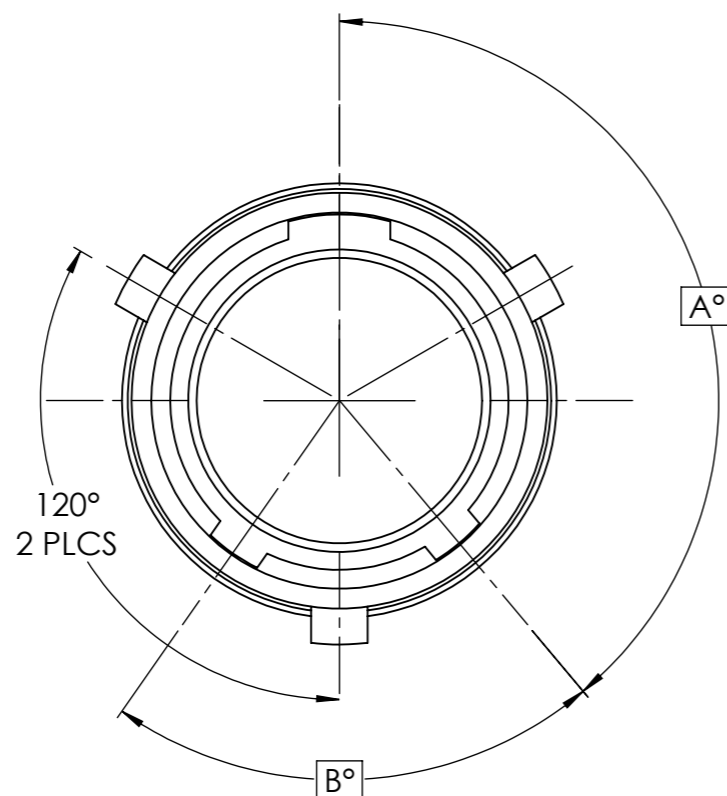
A3

THIRD ANGLE
PROJECTION

BS 8888



IF IN DOUBT, ASK



NOTES

- CONNECTOR ORIENTATION IDENTIFIED BY COLOUR BAND COLOUR APPLIED. AS BELOW.
 N ORIENTATION – RED D ORIENTATION – GREEN
 A ORIENTATION – YELLOW E ORIENTATION – GREY
 B ORIENTATION – BLUE
 C ORIENTATION – ORANGE
- PART NUMBER STRUCTURE TO BE USED FOR ORDERING. SEE BELOW FOR PART NO. EXAMPLE :-
 DEUTSCH ASDD106-09PN-HE RP654321

SERIES PREFIX

STYLE (PLUG)

SHELL SIZE

CONTACT ARRANGEMENT

BATCH NUMBER

HARSH ENVIRONMENT

ORIENTATION

CONTACT TYPE

KEYWAY ORIENTATIONS

PART No.	A°	B°
ASDD106-09*N-HE	140	75
ASDD106-09*A-HE	110	120
ASDD106-09*B-HE	130	120
ASDD106-09*C-HE	90	115
ASDD106-09*D-HE	155	115
ASDD106-09*E-HE	65	115

AA	DUK-67535	WS	NDL	NDL	CEO	07/12/2016
ISSUE	CHANGE NOTE	DRAWN	CHECKED	APP. ENG.	APP. MARKETING	DATE

MATERIAL

HEAT TREATMENT & FINISH

PACKAGING

SCALE

5:1

DIMENSIONS IN MILLIMETRES
UNLESS OTHERWISE STATED

THIS INFORMATION IS CONFIDENTIAL AND PROPRIETARY TO TYCO ELECTRONICS CORPORATION AND ITS WORLDWIDE SUBSIDIARIES AND AFFILIATES (TE). IT MAY NOT BE DISCLOSED TO ANYONE, OTHER THAN TE PERSONNEL, WITHOUT AUTHORIZATION FROM TE (www.TE.com).

TITLE TYPE CUSTOMER DRAWING

RECEPTACLE ASSEMBLY IN-
LINE ASL 9 WAY ENVELOPE
DETAILS

ST LEONARDS ON SEA, EAST SUSSEX, TN38 9RF
TEL. +44 (0)1424 852721

DRAWING NUMBER

610002-ENV