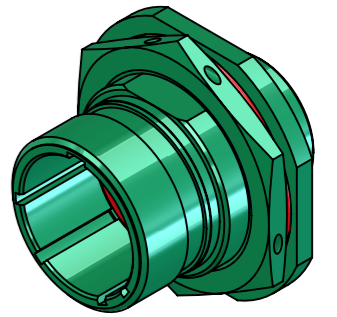
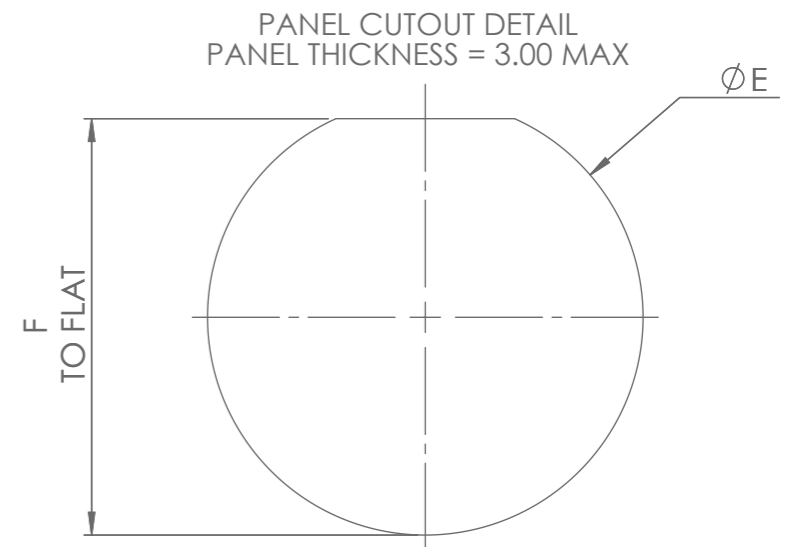
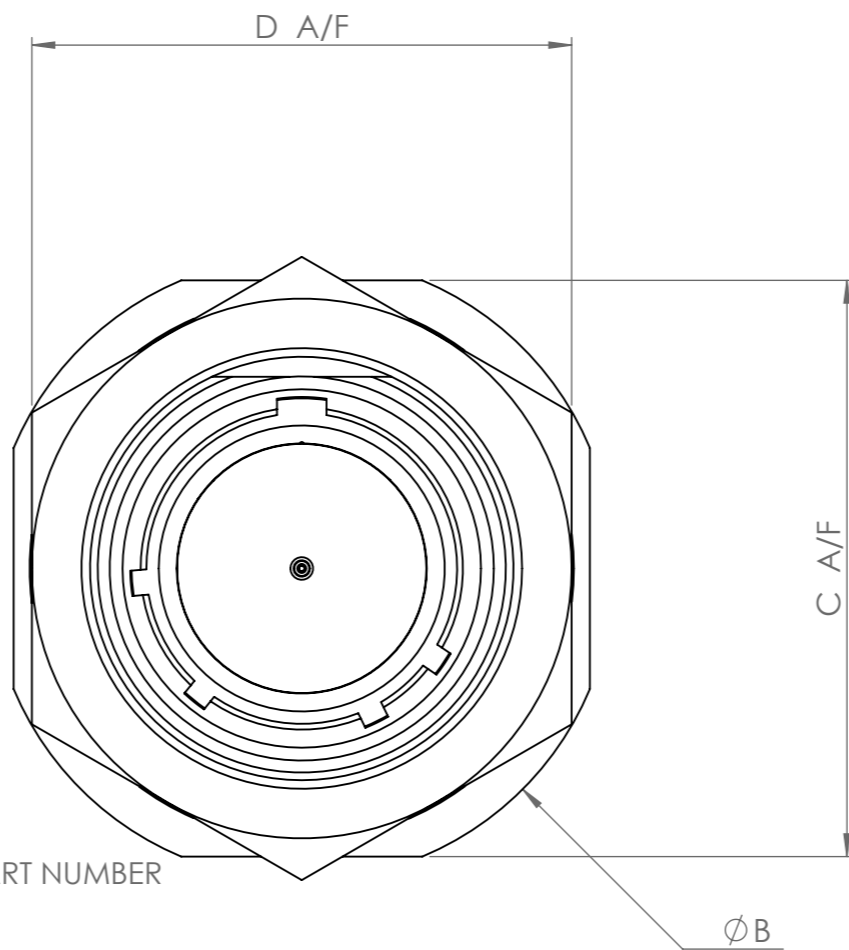
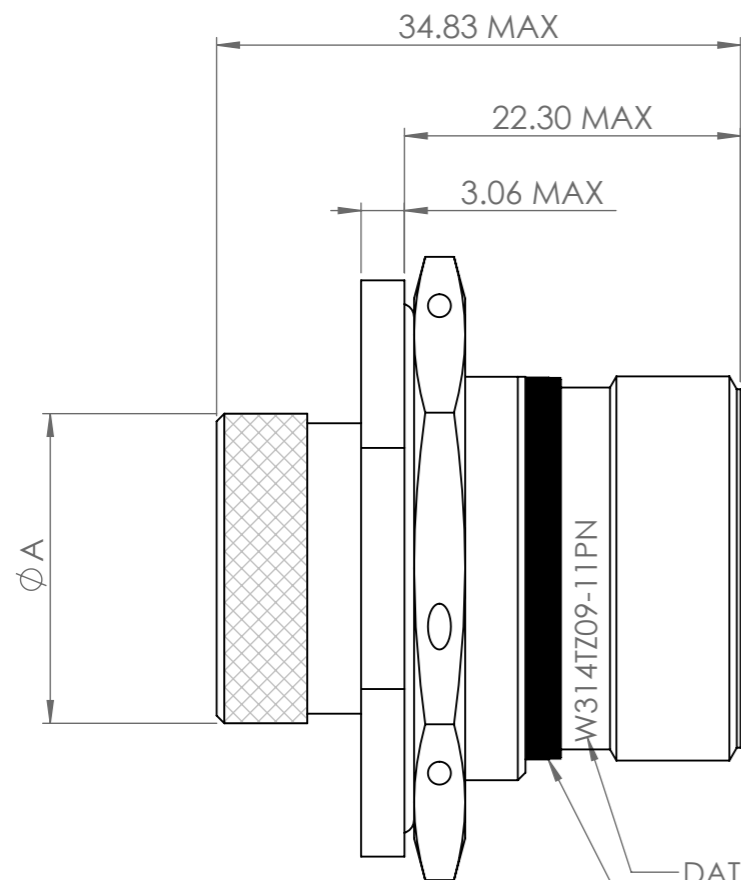


DRAWING NUMBER:  
**611183-ENV**

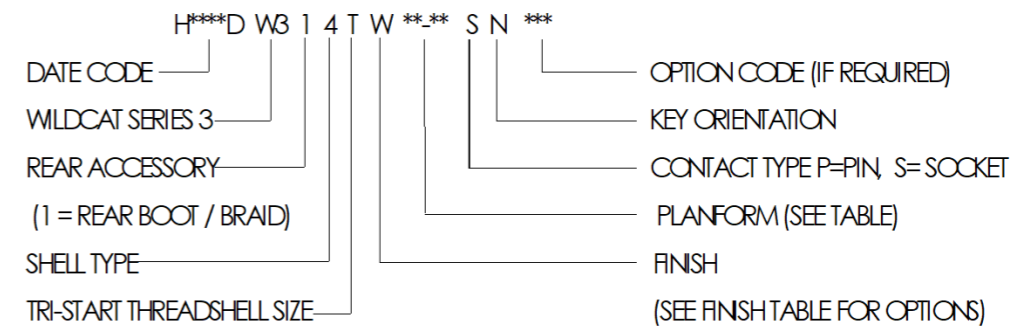


DATE CODE AND PART NUMBER

RED COLOUR BAND

NOTES:

1. PART NUMBER BREAKDOWN EXAMPLE:



2. CONNECTOR MEETS THE REQUIREMENTS OF MIL-DTL-38999 SERIES 3.

SHELL SIZE & PLANFORM	ØA MAX	ØB MAX	C MAX	D MAX	ØE ±0.10	F ±0.10
09-11	11.14	30.31	27.11	23.10	17.80	16.89
11-23	14.31	35.01	31.91	26.20	20.98	19.43
13-41	17.49	38.21	35.01	31.86	25.68	24.16
15-64	20.66	41.41	38.21	35.87	28.90	27.43

LIST OF FINISH OPTIONS	
CLASS CODE	FINISH
W	ALUMINIUM WITH OLIVE DRAB CADMIUM
F	ALUMINIUM WITH ELECTROLESS NICKEL
Z	ALUMINIUM WITH ZINC NICKEL
S	STAINLESS STEEL WITH NICKEL
K	STAINLESS STEEL PASSIVATED
B	ALUMINIUM BRONZE
G	SPACE GRADE

AA	DUK-71751	NDL	KSC	KJF	CEO	06/07/2020
ISSUE	CHANGE NOTE	DRAWN	CHECKED	APP. ENG.	APP. MARKETING	DATE

BS8888 THIRD ANGLE PROJECTION	MATERIAL: -----	FINISH: <b>SEE TABLE</b>	 <b>DEUTSCH</b> TE CONNECTIVITY UK LTD., ST. LEONARDS-ON-SEA, TN38 9RF, UK.
UNLESS OTHERWISE STATED: DIMENSIONS: mm [INCHES]	TITLE: <b>WILDCAT JAM NUT RECEPT. W314.</b> ENVELOPE DETAILS.		
IF IN DOUBT, ASK	SIZE: <b>A3</b>	SCALE: <b>2:1</b>	DRAWING NUMBER: <b>611183-ENV</b>
			SHEET: <b>1 OF 1</b>
			ISSUE: <b>AA</b>

THIS INFORMATION IS CONFIDENTIAL AND PROPRIETARY TO TYCO ELECTRONICS CORPORATION AND ITS WORLDWIDE SUBSIDIARIES AND AFFILIATES (TE). IT MAY NOT BE DISCLOSED TO ANYONE OTHER THAN TE PERSONNEL, WITHOUT AUTHORIZATION FROM TE (www.te.com).