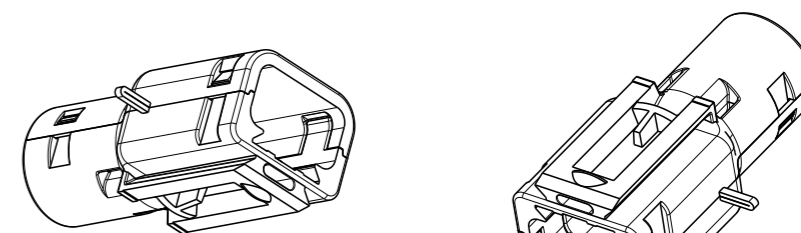
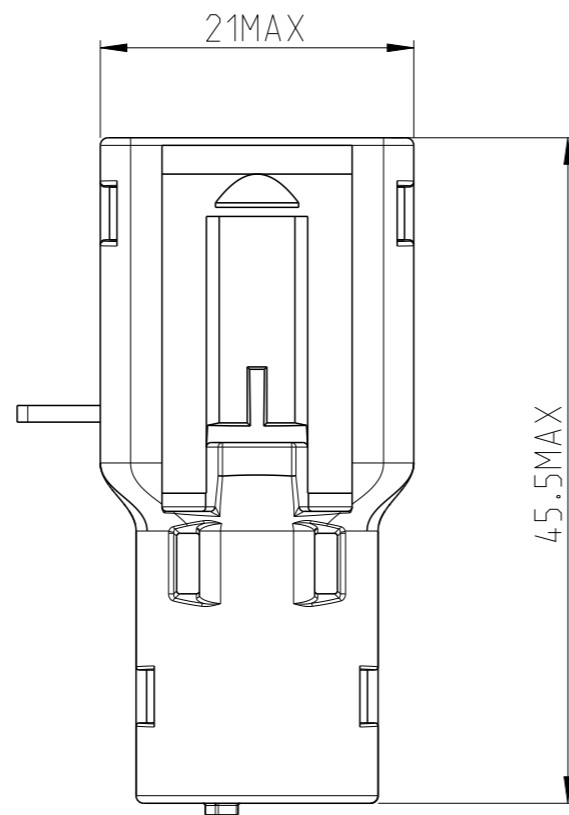


REVISIONS

P	LTR	DESCRIPTION	DATE	DWN	APVD
	A	63924	08JUL2014	NDL	NDL
	AA1	REVISED PER PCN E-20-007701	01JUN2020	SBS	GL

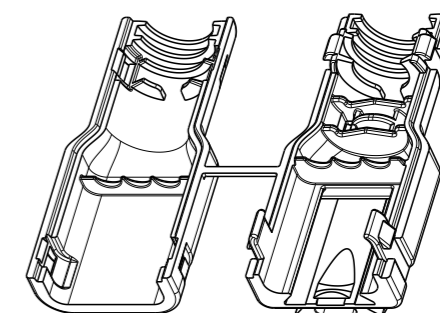
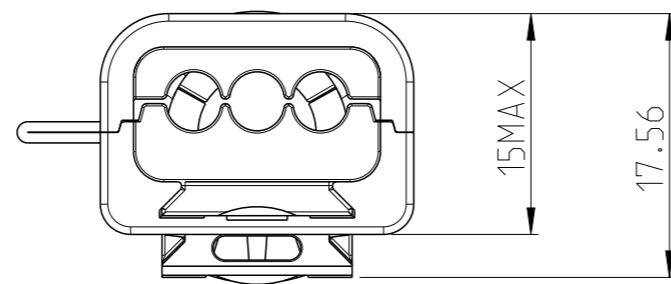
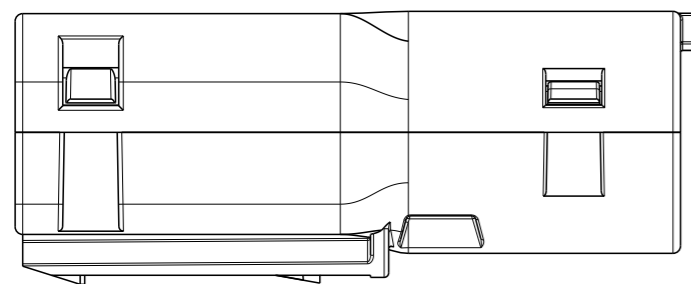
NOTE:

1. PART NUMBER 1028-024-0305



SCALE 1:1

SCALE 1:1



SCALE 1:1

THIS DRAWING IS A CONTROLLED DOCUMENT.

DWN SHAMANTH BS 12MAY2020

CHK G. LINDEMANN 12MAY2020

APVD G. LINDEMANN 13MAY2020

PRODUCT SPEC

APPLICATION SPEC

WEIGHT

-



TE Connectivity

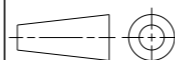
NAME BACKSHELL FOR DTM 3 WAY

SIZE	CAGE CODE	DRAWING NO	RESTRICTED TO
------	-----------	------------	---------------

A3	00779	C=D611538-ENV	
----	-------	---------------	--

DIMENSIONS:

mm



TOLERANCES UNLESS OTHERWISE SPECIFIED:

0 PLC	±
1 PLC	±
2 PLC	±
3 PLC	±
4 PLC	±
ANGLES	±

MATERIAL

-

FINISH

-

CUSTOMER DRAWING

SCALE 2:1

SHEET 1 OF 1

REV AA1