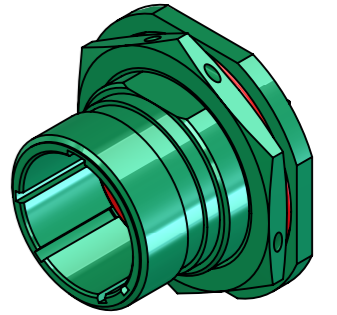
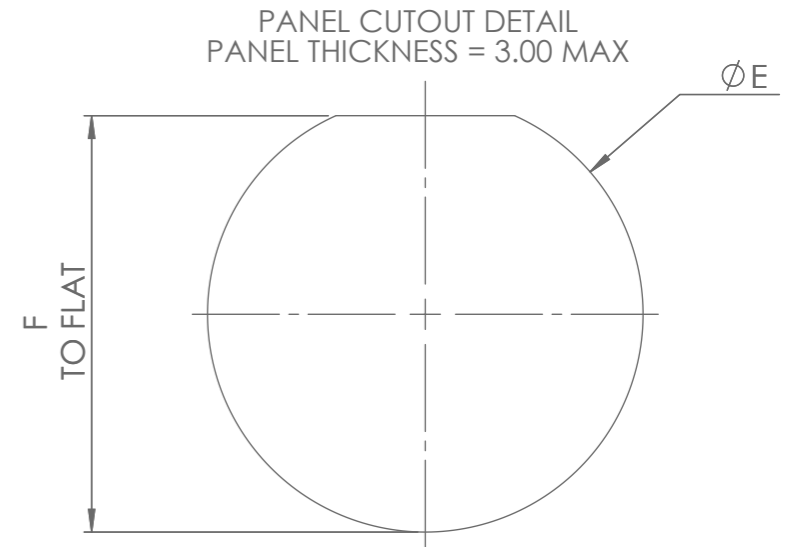
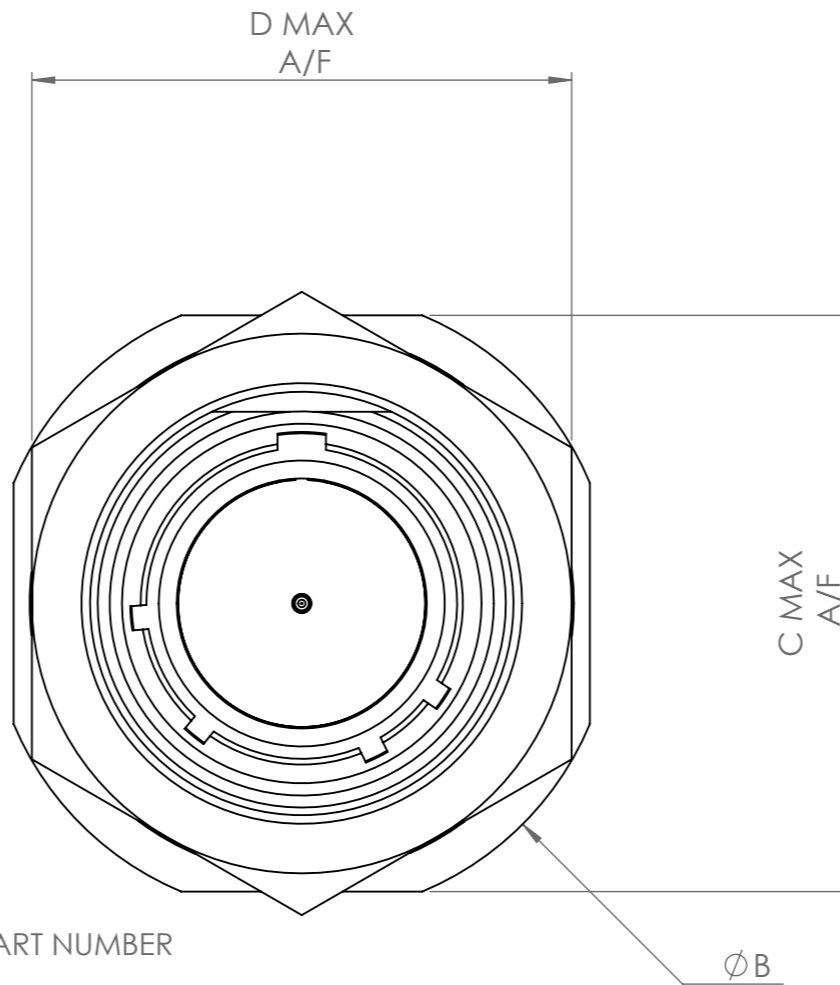
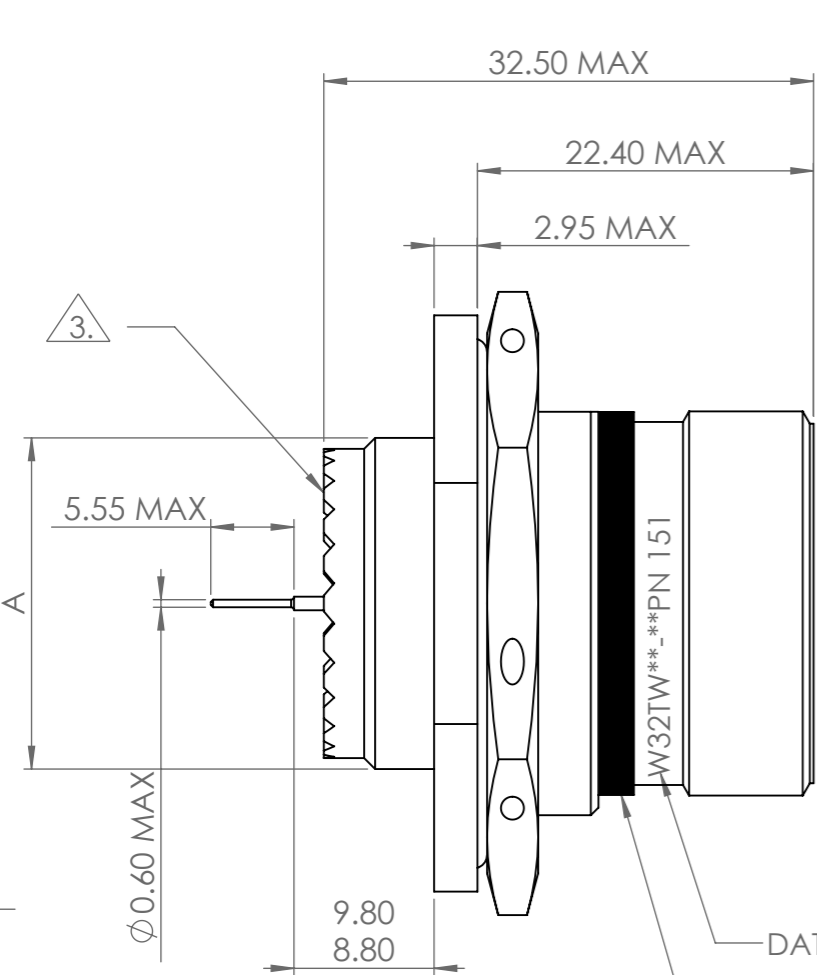


DRAWING NUMBER:
611557-ENV



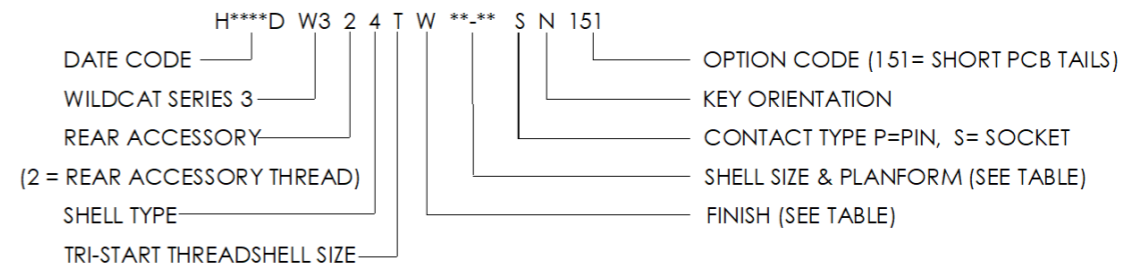
DATE CODE AND PART NUMBER
RED COLOUR BAND

SHELL SIZE & PLANFORM	ACCESSORY THREAD A	ØB MAX	C MAX	D MAX	ØE ±0.10	F ±0.10
09-11	M12 x 1.0 - 6g	30.40	27.20	23.25	17.80	16.89
11-23	M15 x 1.0 - 6g	35.10	32.00	26.30	20.98	19.43
13-41	M18 x 1.0 - 6g	38.20	35.10	32.00	25.68	24.16
15-64	M22 x 1.0 - 6g	41.50	38.30	36.00	28.90	27.43

LIST OF FINISH OPTIONS	
CLASS CODE	FINISH
W	ALUMINIUM WITH OLIVE DRAB CADMIUM
F	ALUMINIUM WITH ELECTROLESS NICKEL
Z	ALUMINIUM WITH ZINC NICKEL
S	STAINLESS STEEL WITH NICKEL
K	STAINLESS STEEL PASSIVATED
B	ALUMINIUM BRONZE
G	SPACE GRADE

NOTES:

1. PART NUMBER BREAKDOWN EXAMPLE :



2. CONNECTOR MEETS THE REQUIREMENTS OF MIL-DTL-38999 SERIES 3.
 3. NON-REMOVABLE CONTACTS (POTTED)

THIS INFORMATION IS CONFIDENTIAL AND PROPRIETARY TO TYCO ELECTRONICS CORPORATION AND ITS WORLDWIDE SUBSIDIARIES AND AFFILIATES (TE). IT MAY NOT BE DISCLOSED TO ANYONE OTHER THAN TE PERSONNEL, WITHOUT AUTHORIZATION FROM TE (www.te.com).

AA	DUK-71751	NDL	KSC	KJF	CEO	06/07/2020
ISSUE	CHANGE NOTE	DRAWN	CHECKED	APP. ENG.	APP. MARKETING	DATE

BS8888 THIRD ANGLE PROJECTION	MATERIAL: -----	FINISH: SEE TABLE	 DEUTSCH TE CONNECTIVITY UK LTD., ST. LEONARDS-ON-SEA, TN38 9RF, UK.
UNLESS OTHERWISE STATED: DIMENSIONS: mm [INCHES]	TITLE: WILDCAT JAM NUT RECEPT. W324. PCB CONTACTS. ENVELOPE DETAILS. TYPE: CUSTOMER DRAWING		
IF IN DOUBT, ASK	SIZE: A3	SCALE: 2:1	DRAWING NUMBER: 611557-ENV
			SHEET: 1 OF 1 ISSUE: AA