

**NOTES:**

1 MARKED WITH THE PART NUMBER, CAGE CODE AND DATE CODE.

PART NUMBER EXAMPLE: **D369 - B 3 3 - N P 0**

BASIC PART NUMBER \_\_\_\_\_ CONTACT CONFIGURATION **8**  
 SHELL STYLE \_\_\_\_\_ CONTACT TYPE (P = PIN, S = SOCKET)  
 (B = PANEL MOUNT RECEPTACLE) \_\_\_\_\_ SHELL KEYING **6**  
 SHELL SIZE \_\_\_\_\_

CONTACT QUANTITY  
 (3 = 3 x #22, 6 = 6 x #22, 9 = 9 x #22)

**2. PERFORMANCE:**

TEMPERATURE RANGE	-55°C TO +175°C
DIELECTRIC WITHSTAND VOLTAGE (AT SEA LEVEL)	1500RMS <2mA LEAKAGE
DURABILITY	500 MATING CYCLES MIN
INSULATION RESISTANCE	>5000 MΩ INITIAL
ALTITUDE	RTCA D 160 - CATAGORY A4 (15,000 ft)
HUMIDITY	RTCA DO160 - CATAGORY A

**3. MATERIALS**

COMPONENT	MATERIAL (FINISH: CLEAN IN ALL CASES)
SEAL	SILICONE / FLUOROSILICONE BLEND RUBBER
BODY / INSERT COMPONENTS	THERMOPLASTIC
CONTACTS	COPPER ALLOY, GOLD PLATED

4. THESE CONNECTORS ARE ROHS COMPLIANT.

5. MAXIMUM WEIGHTS (WITHOUT CONTACTS)

3 WAY - 1.6g (PIN INSERT), 1.7g (SOCKET INSERT)  
 6 WAY - 2.0g (PIN INSERT), 2.2g (SOCKET INSERT)  
 9 WAY - 2.2g (PIN INSERT), 2.4g (SOCKET INSERT)

6 SHELL KEYING:

ORIENTATION	COLOUR
A	DARK RED
B	DARK BLUE
C	DARK GREEN
D	YELLOW
N	BLACK

7 DIMENSIONS:

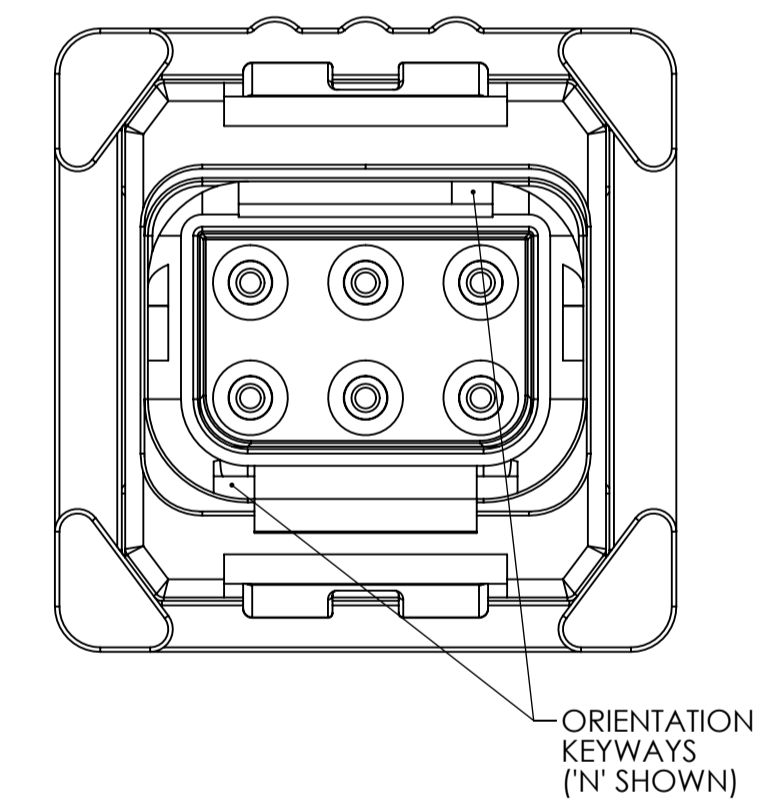
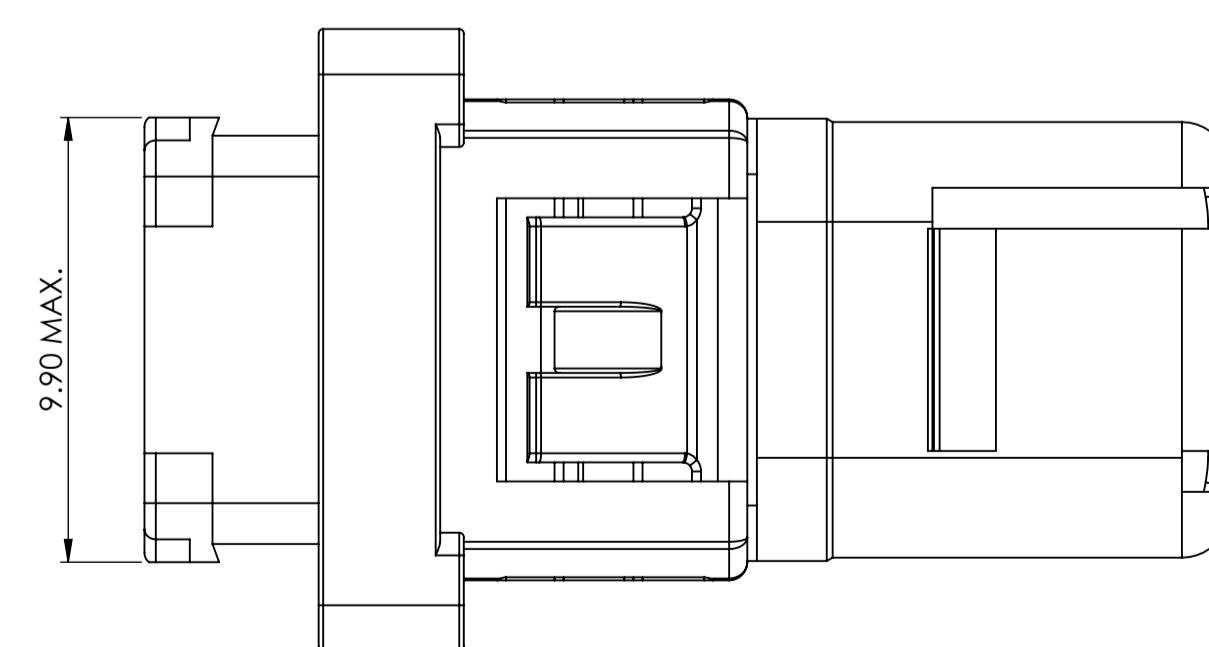
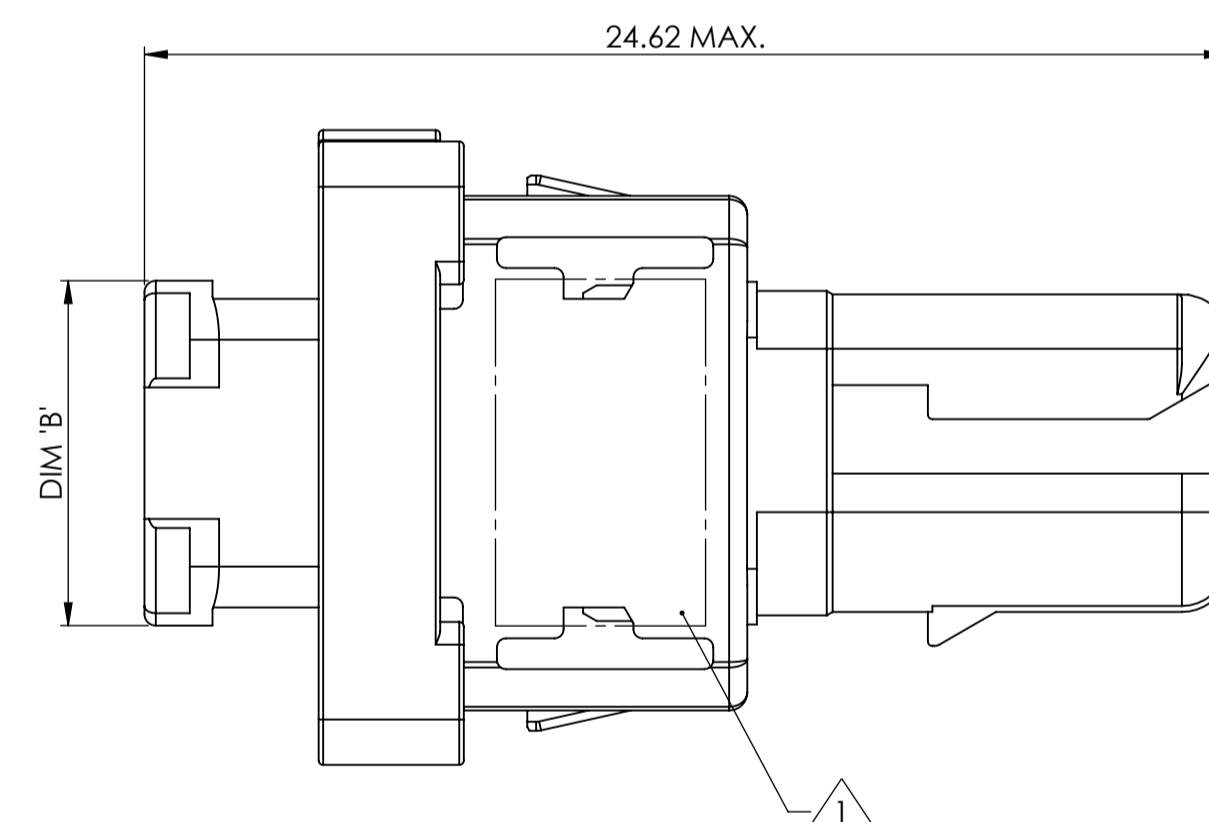
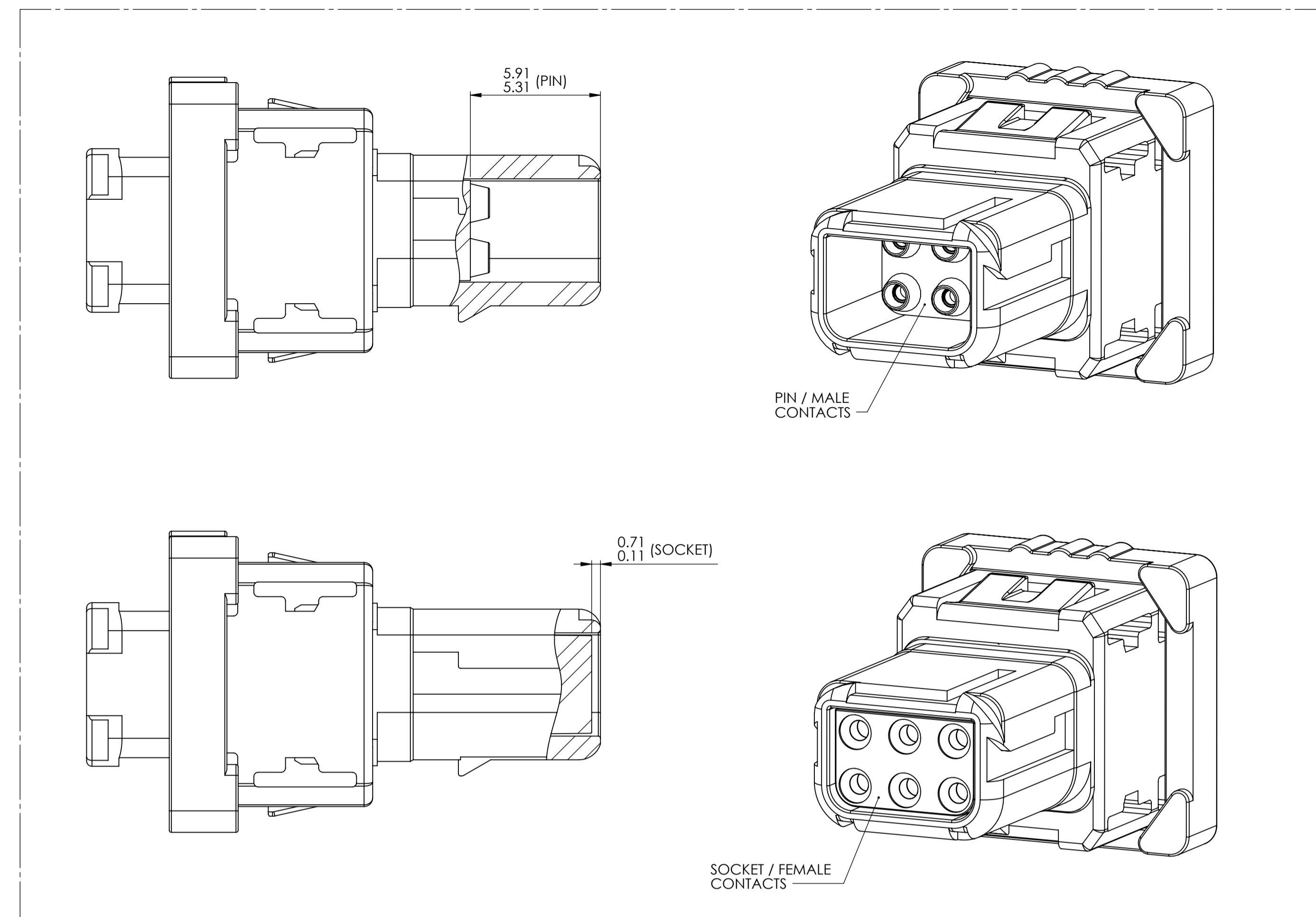
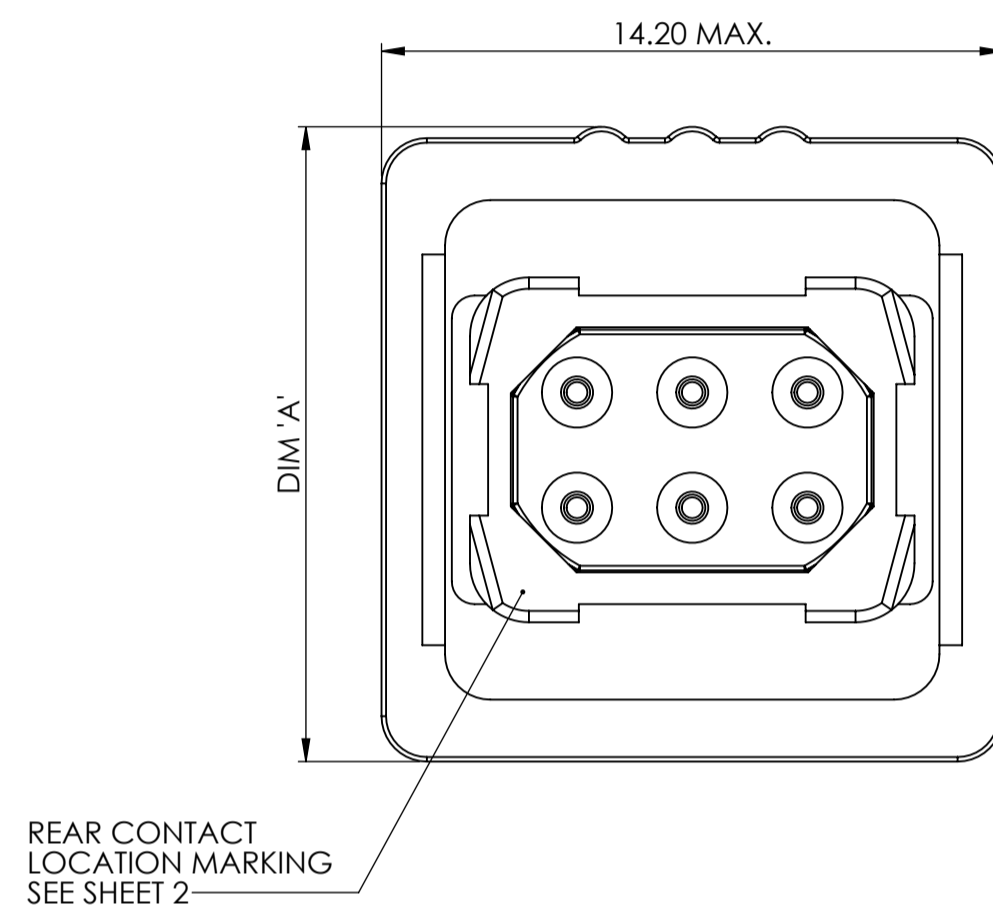
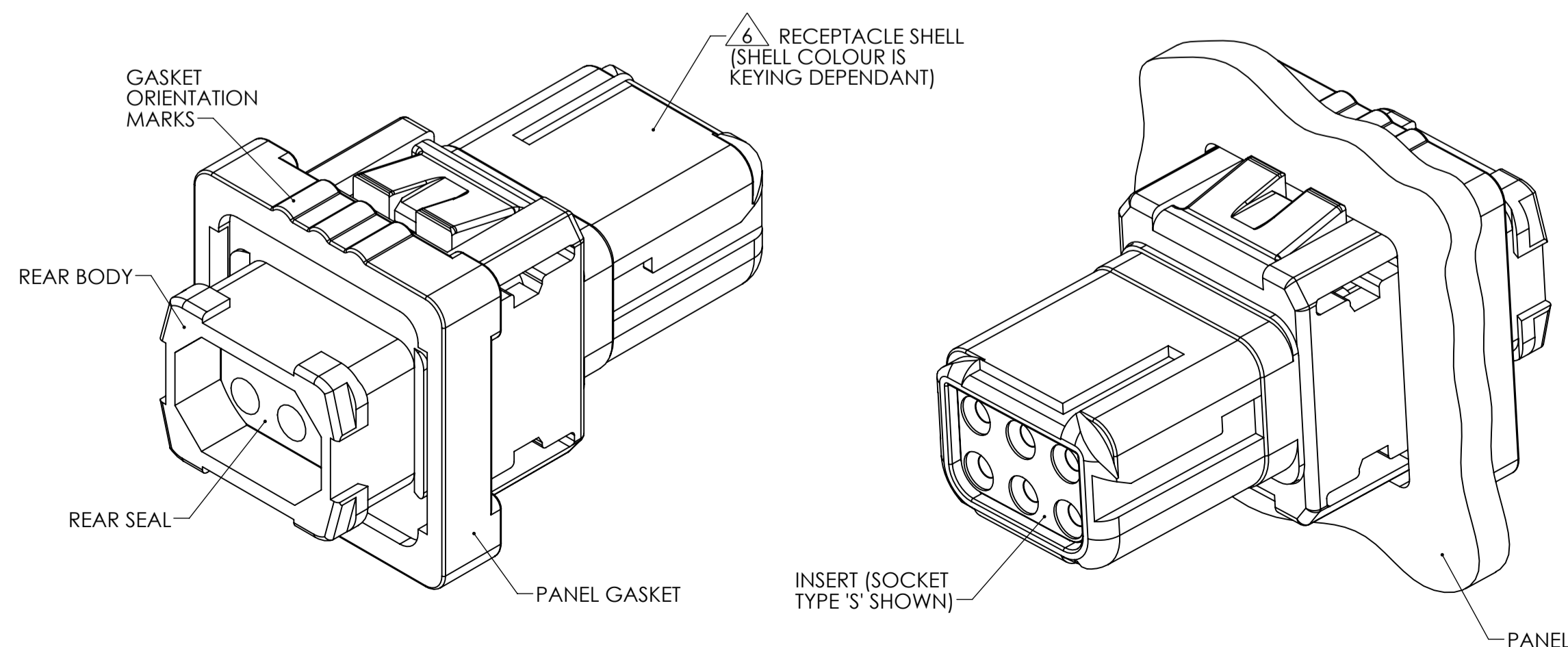
SHELL SIZE	DIM 'A' MAX.	DIM 'B' MAX.
3	11.7	5.36
6	14.2	7.90
9	16.8	10.44

8 CONTACT CONFIGURATIONS:  
 INSERTION / EXTRACTION TOOL (M81969/14-01 OR EQUIVALENT) SUPPLIED SEPARATELY

CONTACT CONFIGURATION	CONTACT DESCRIPTION	CONTACT P/N (OR EQUIVALENT)		CRIMP POSITIONER		CRIMP TOOL	WIRE ACCOMODATION	CURRENT RATING
		PIN	SOCKET	PIN	SOCKET			
0		NO CONTACTS SUPPLIED						
1	CRIMP, COPPER WIRE	38941-22	38946-22	M22520/2-09	M22520/2-06	M22520/2-01	22-28 AWG	5A (22 AWG)
2	CRIMP, ALUMINIUM WIRE	200-1042-22	200-1142-22	KAL 2		ALNP 22-A	22 AWG	5A
3	CRIMP, COPPER WIRE (ENLARGED WIRE)	182-0860-22	182-0862-22	M22520/2-09	M22520/2-06	M22520/2-01	20-24 AWG	5A (20AWG)

9. RECOMMENDED PANEL THICKNESS = 1.60mm (FOR REFERENCE ONLY). REFER TO INSTRUCTION SHEET 408-32794 FOR PANEL CUTOUT DIMENSIONS.

10. FILLER PLUGS AVAILABLE FOR CONTACT CAVITIES:  
 TE PART NUMBER: 600300-22  
 MIL-SPEC: MS27488-22-2



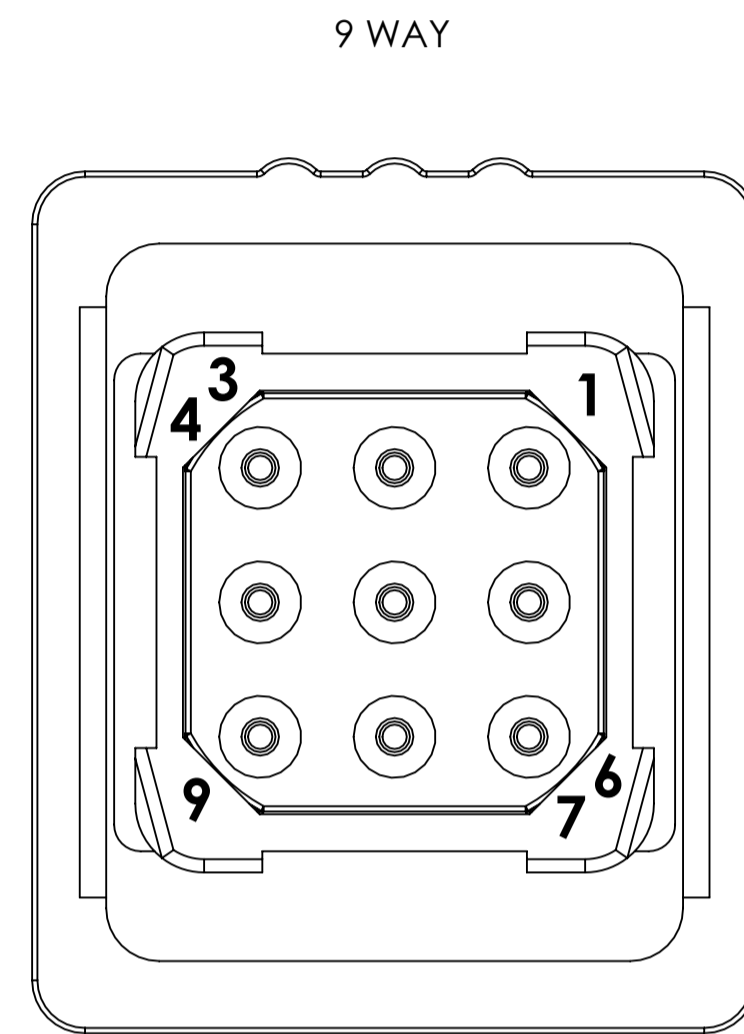
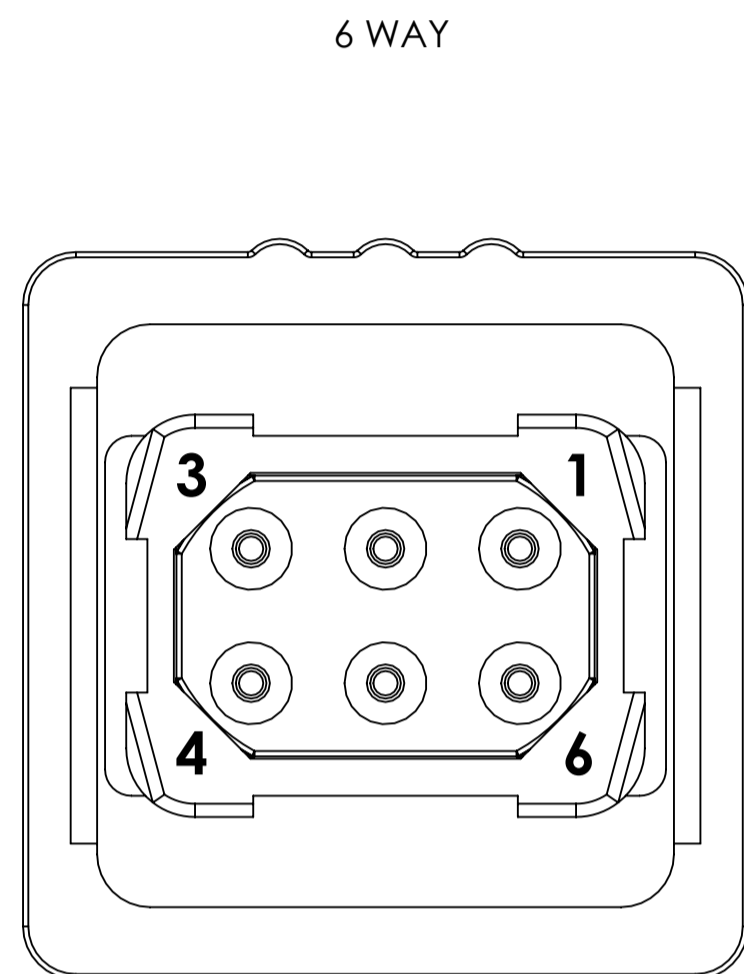
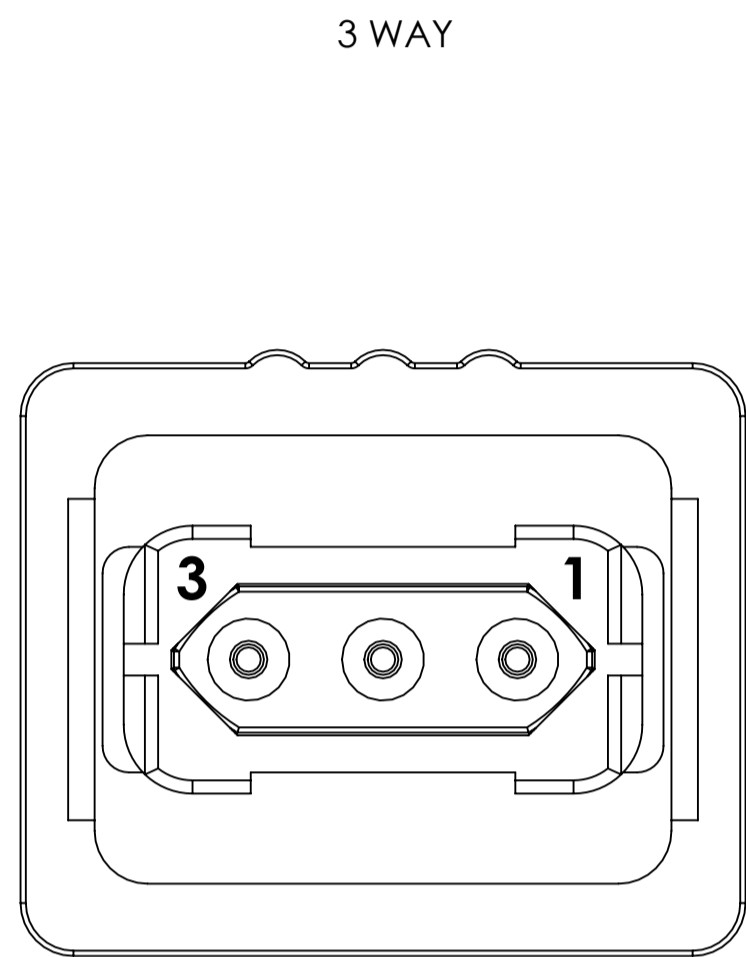
**D369-B66-NP0 (PIN) AND D369-B66-NS0 (SOCKET) SHOWN FOR ILLUSTRATIVE PURPOSES**

**IF IN DOUBT, ASK**

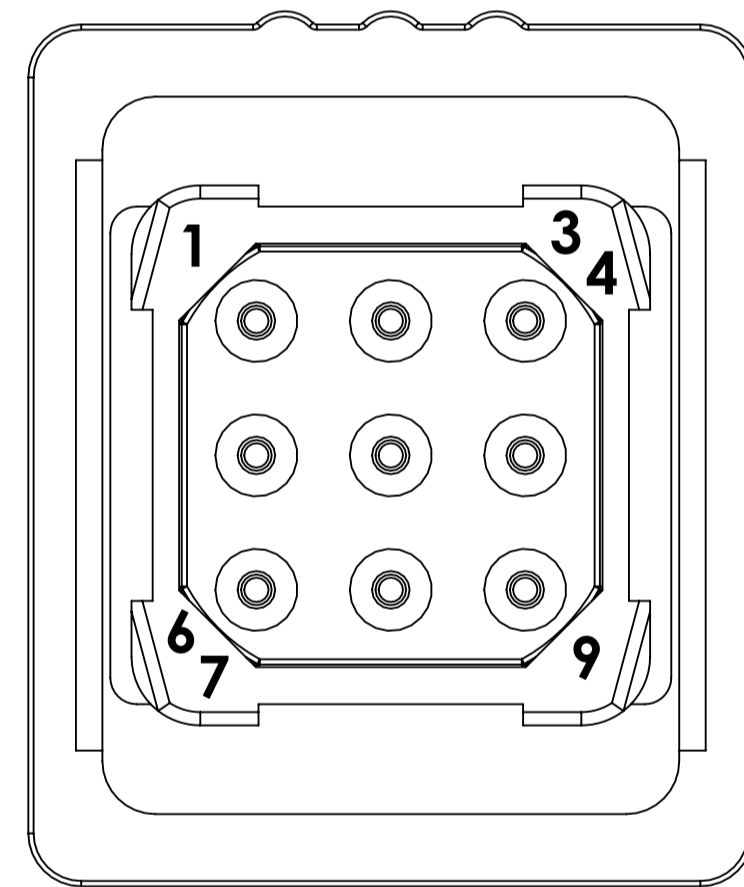
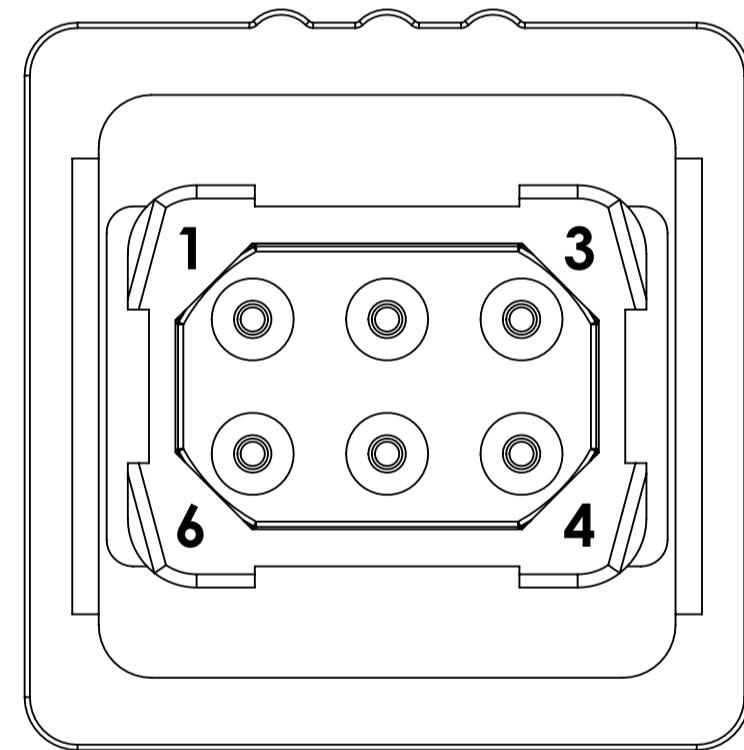
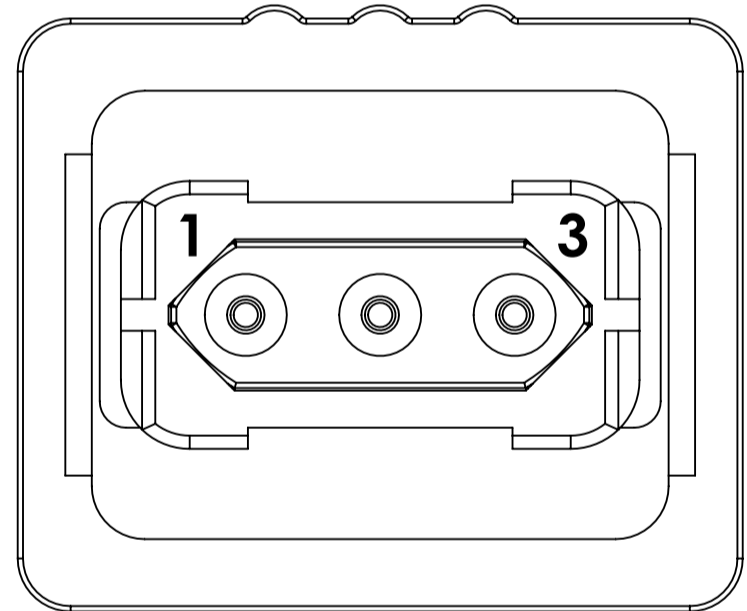
AA	INITIAL RELEASE	JOB	JP	RJM	RJM	03/08/2023
ISSUE	CHANGE NOTE	DRAWN	CHECKED	APP. ENG.	APP. MARKETING	DATE


BS8888 THIRD ANGLE PROJECTION	MATERIAL: <b>SEE NOTE 3</b>	FINISH: <b>SEE NOTE 3</b>	 DEUTSCH TE CONNECTIVITY UK LTD., ST. LEONARDS-ON-SEA, TN38 9RF, UK
UNLESS OTHERWISE STATED: DIMENSIONS: mm [INCHES]	TITLE: <b>D369 PANEL MOUNT RECEPTACLE ENVELOPE</b> TYPE: Customer Drawing		
IF IN DOUBT, ASK	SIZE: <b>A1</b>	SCALE: <b>6:1</b>	DRAWING NUMBER: <b>D612015-ENV</b>
			SHEET: <b>1 OF 2</b>
			ISSUE: <b>AA</b>

PIN / MALE CONTACTS.  
REAR CONTACT  
LOCATION MARKING



SOCKET / FEMALE CONTACTS.  
REAR CONTACT  
LOCATION MARKING



BS8888 THIRD ANGLE PROJECTION	MATERIAL: <b>SEE NOTE 3</b>	FINISH: <b>SEE NOTE 3</b>	 DEUTSCH TE CONNECTIVITY UK LTD. ST. LEONARDS-ON-SEA, TN38 9RF, UK
UNLESS OTHERWISE STATED: DIMENSIONS: mm [INCHES]	TITLE: <b>D369 PANEL MOUNT RECEPTACLE ENVELOPE</b> TYPE: Customer Drawing		
IF IN DOUBT, ASK	SIZE: <b>A1</b>	SCALE: <b>7:1</b>	DRAWING NUMBER: <b>D612015-ENV</b>
			SHEET: <b>2 OF 2</b>
			ISSUE: <b>AA</b>

THIS INFORMATION IS CONFIDENTIAL AND PROPRIETARY TO TYCO ELECTRONICS CORPORATION AND ITS WORLDWIDE SUBSIDIARIES AND AFFILIATES (TE). IT MAY NOT BE DISCLOSED TO ANYONE, OTHER THAN TE PERSONNEL, WITHOUT AUTHORIZATION FROM TE (www.teccotti).