

NOTES:
 1 MARKED WITH TE PART NUMBER, CAGE CODE AND DATE CODE.

PART NUMBER EXAMPLE: D369 - B 3 3 - N P 4

BASIC PART NUMBER
 SHELL STYLE (B = PANEL MOUNT RECEPTACLE 90°)
 SHELL SIZE
 CONTACT QUANTITY (3=3 x #22, 6=6 x #22, 9=9 x #22)
 CONTACT CONFIGURATION (4= 90° GOLD PLATED PCB TAIL) (5= 90° GOLD PLATED, TIN DIPPED PCB TAIL)
 CONTACT TYPE (P=PIN, S=SKT)
 SHELL KEYING

2 PERFORMANCE:

TEMPERATURE RANGE	-55°C TO +175°C
DIELECTRIC WITHSTAND VOLTAGE (AT SEA LEVEL)	1500VRMS <2mA LEAKAGE
DURABILITY	500 MATING CYCLES MIN.
INSULATION RESISTANCE	≥5000 MΩ INITIAL
IP RATING	IP67
SEALING	RTCA DO160 - CATEGORY A4 (15,000ft)
HUMIDITY	RTCA DO160 - CATEGORY A

3 MATERIALS:

COMPONENT	MATERIAL (FINISH: CLEAN IN ALL CASES)
SEALS	SILICONE / FLUOROSILICONE BLEND RUBBER
BODY / INSERT COMPONENTS	THERMOPLASTIC
CONTACTS	COPPER ALLOY, SEE NOTE 1 FOR FINISH

4. THESE CONNECTORS ARE ROHS COMPLIANT

5. MAXIMUM WEIGHTS:
 3 WAY - 6.9g (PIN INSERT), 6.9g (SOCKET INSERT).
 6 WAY - 7.7g (PIN INSERT), 7.7g (SOCKET INSERT).
 9 WAY - 8.5g (PIN INSERT), 8.5g (SOCKET INSERT).

6 SHELL KEYING:

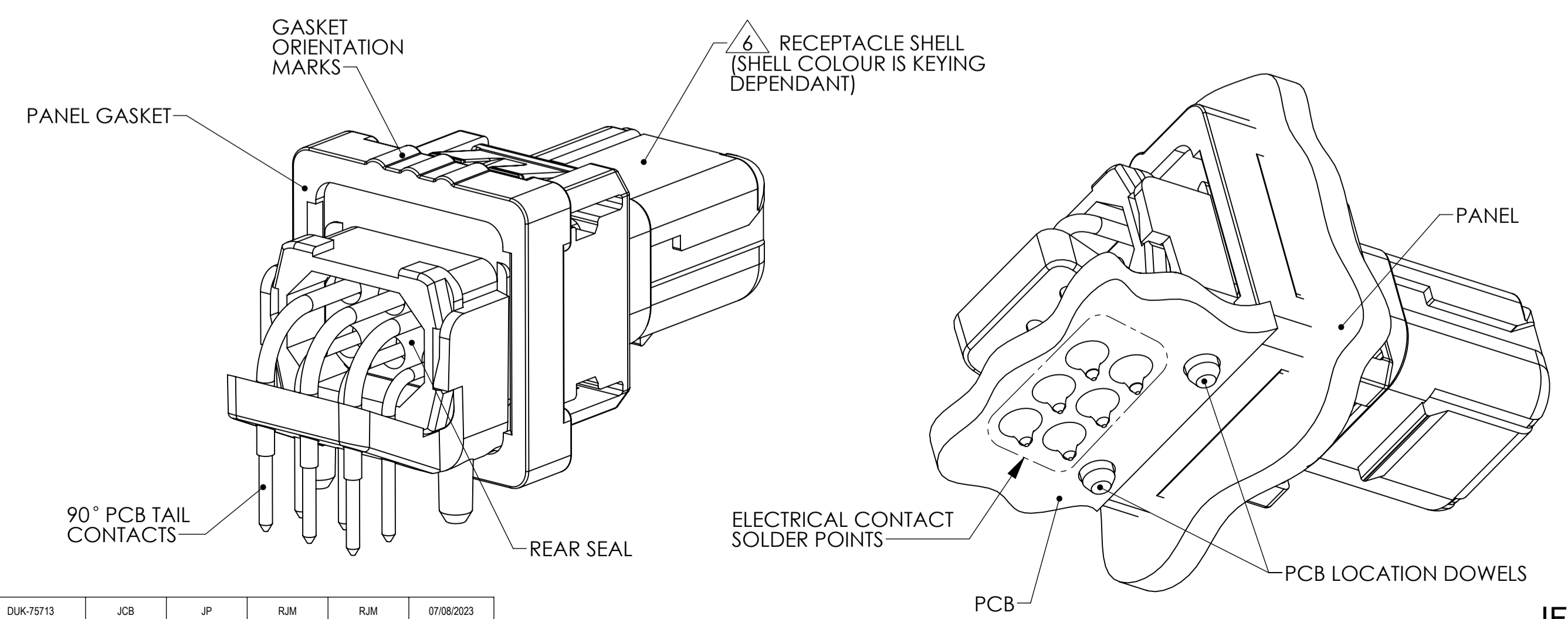
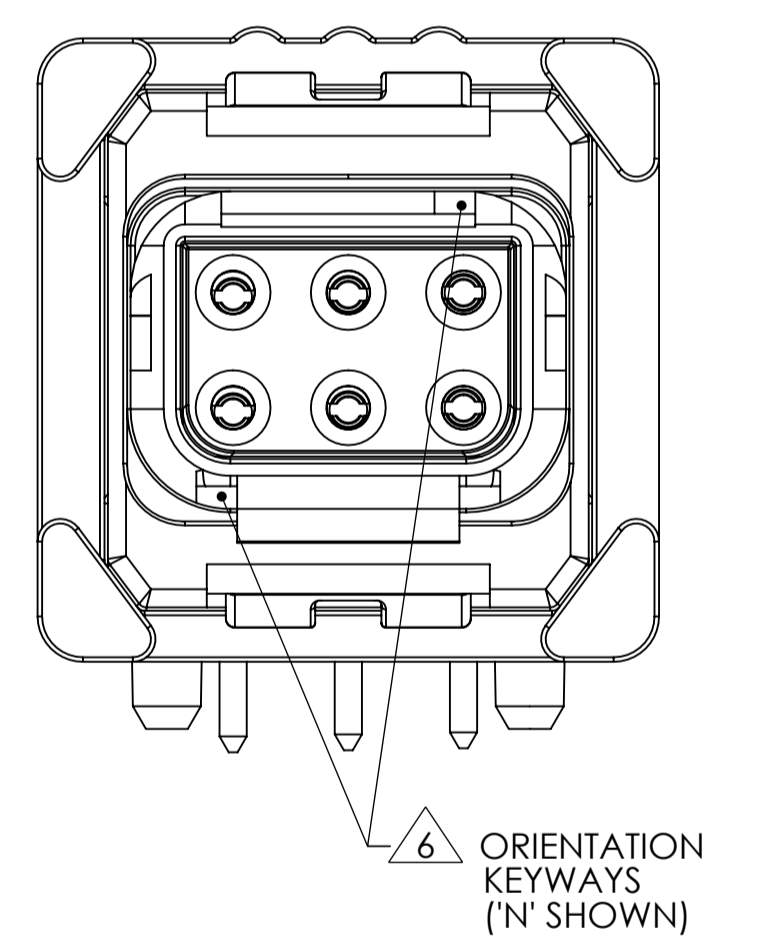
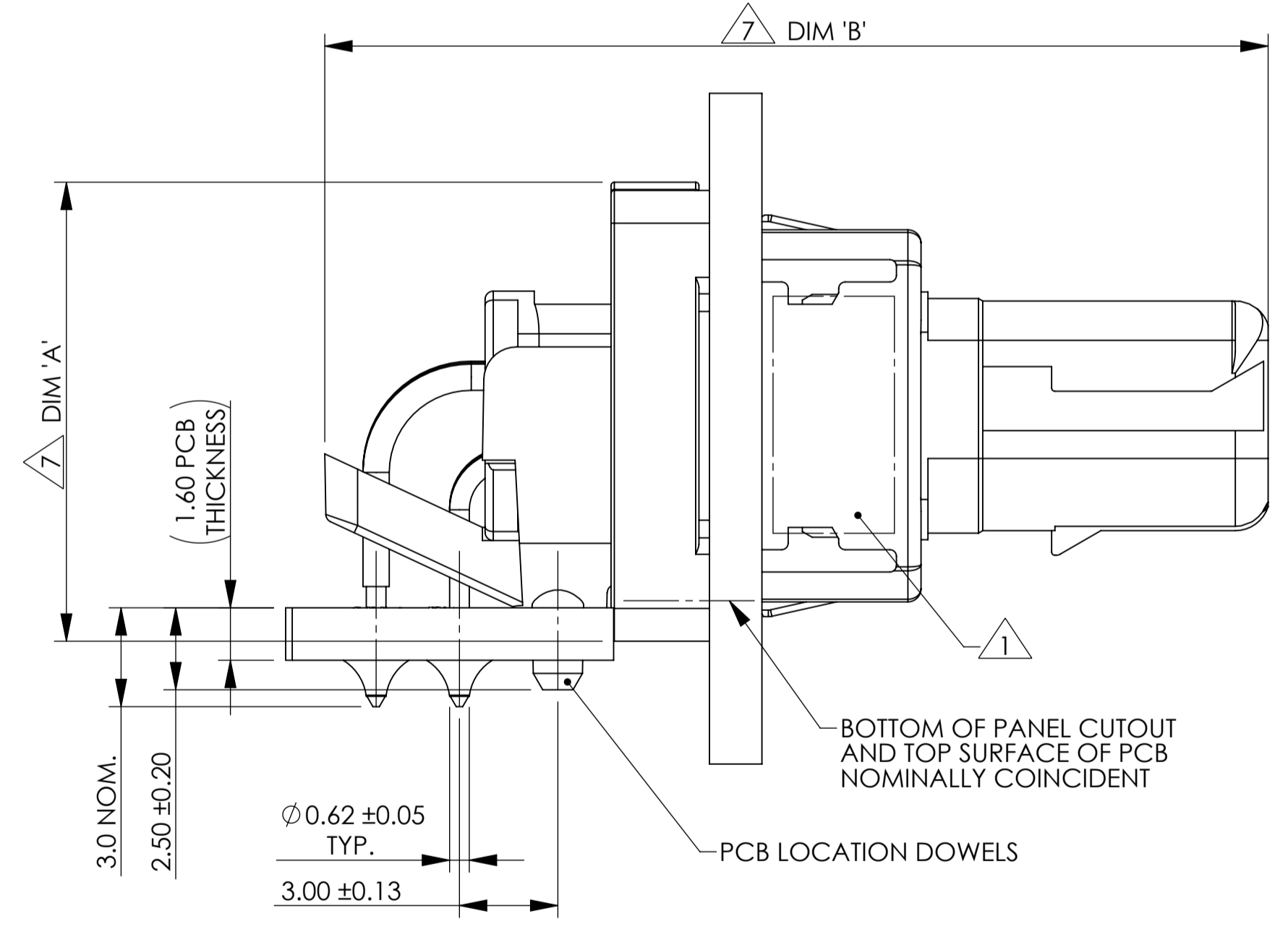
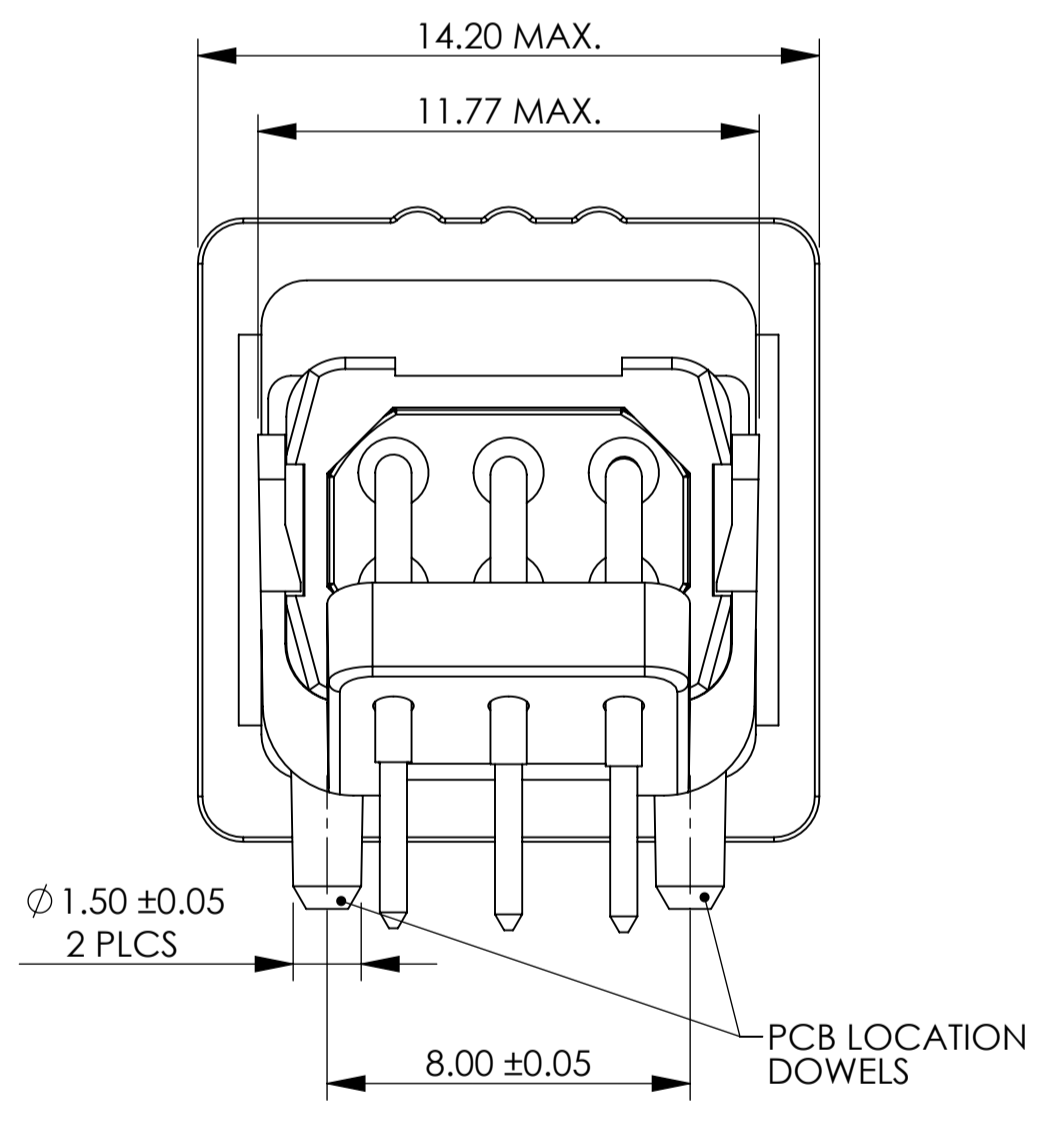
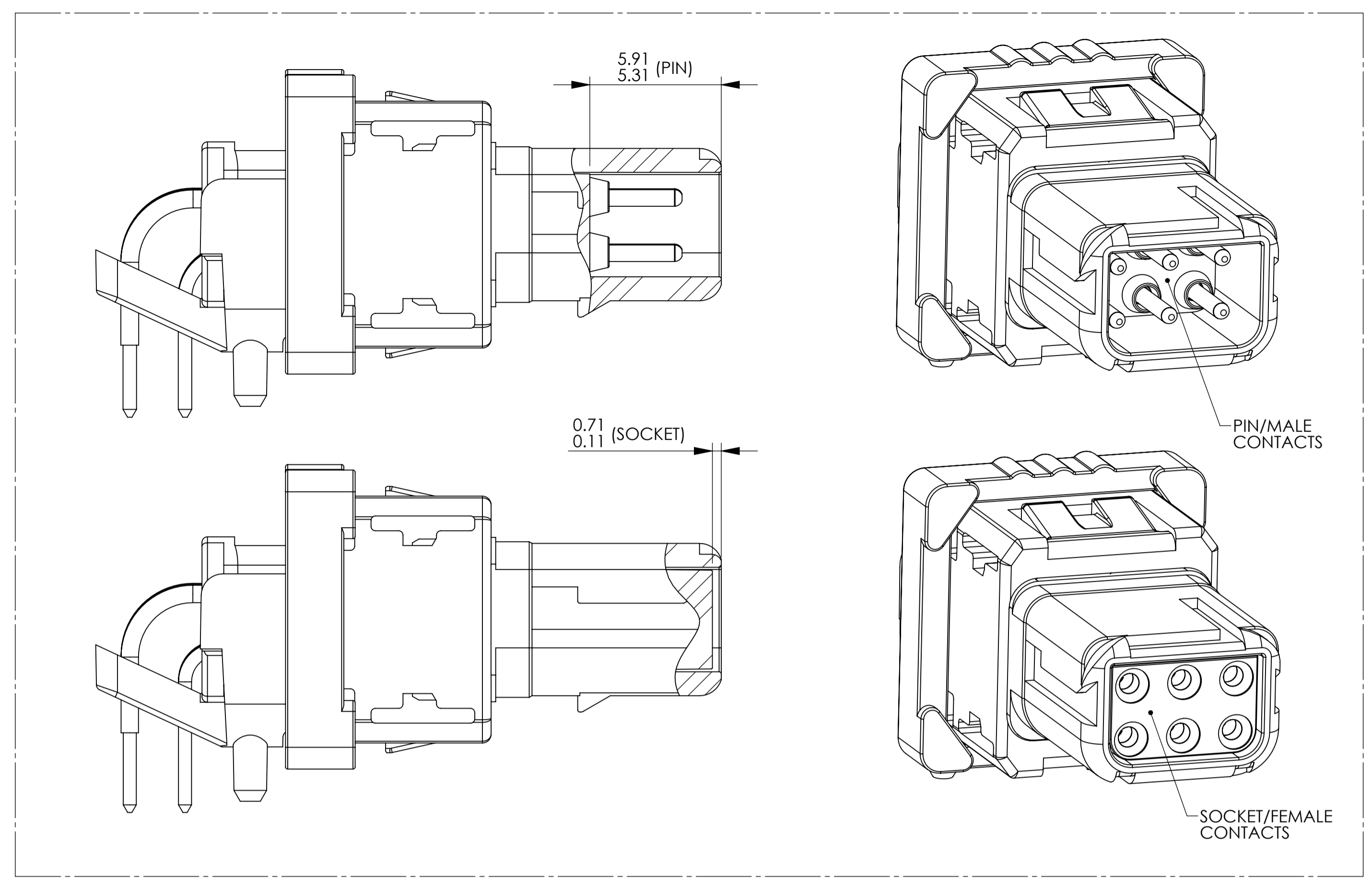
SHELL KEYING (ALL SIZES)	
ORIENTATION	COLOUR
N	BLACK
A	DARK RED
B	DARK BLUE
C	DARK GREEN
D	YELLOW

7 DIMENSIONS:

SHELL SIZE	DIM 'A' MAX.	DIM 'B' MAX.
3	11.7	26.8
6	14.2	29.4
9	16.8	32.0

8. 6 WAY CONNECTOR SHOWN IN ALL VIEWS ON SHEET 1 FOR ILLUSTRATION PURPOSES.

9. RECOMMENDED PANEL THICKNESS IS 1.6mm, FOR REFERENCE ONLY. REFER TO INSTRUCTION SHEET 408-32194 FOR PANEL CUTOUT DIMENSIONS.



D369-B66-NP0 (PIN) AND D369-B66-NS0 (SOCKET) SHOWN FOR ILLUSTRATIVE PURPOSES

IF IN DOUBT, ASK

AC	DUK75713	JGB	JP	RJM	RJM	07/08/2023
ISSUE	CHANGE NOTE	DRAWN	CHECKED	APP. ENG.	APP. MARKETING	DATE

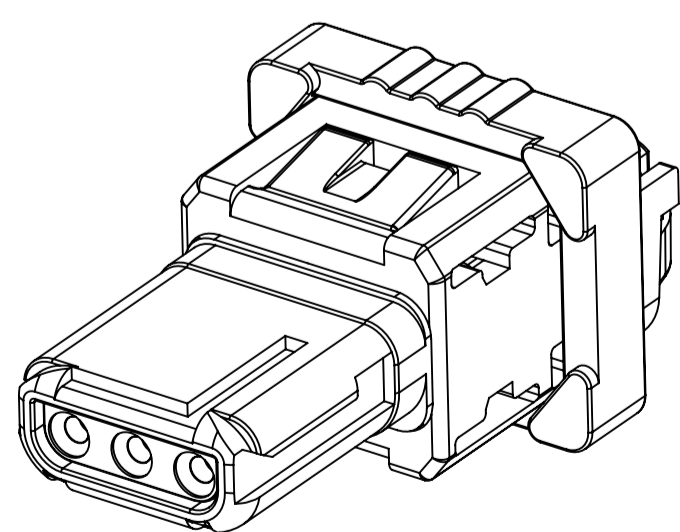
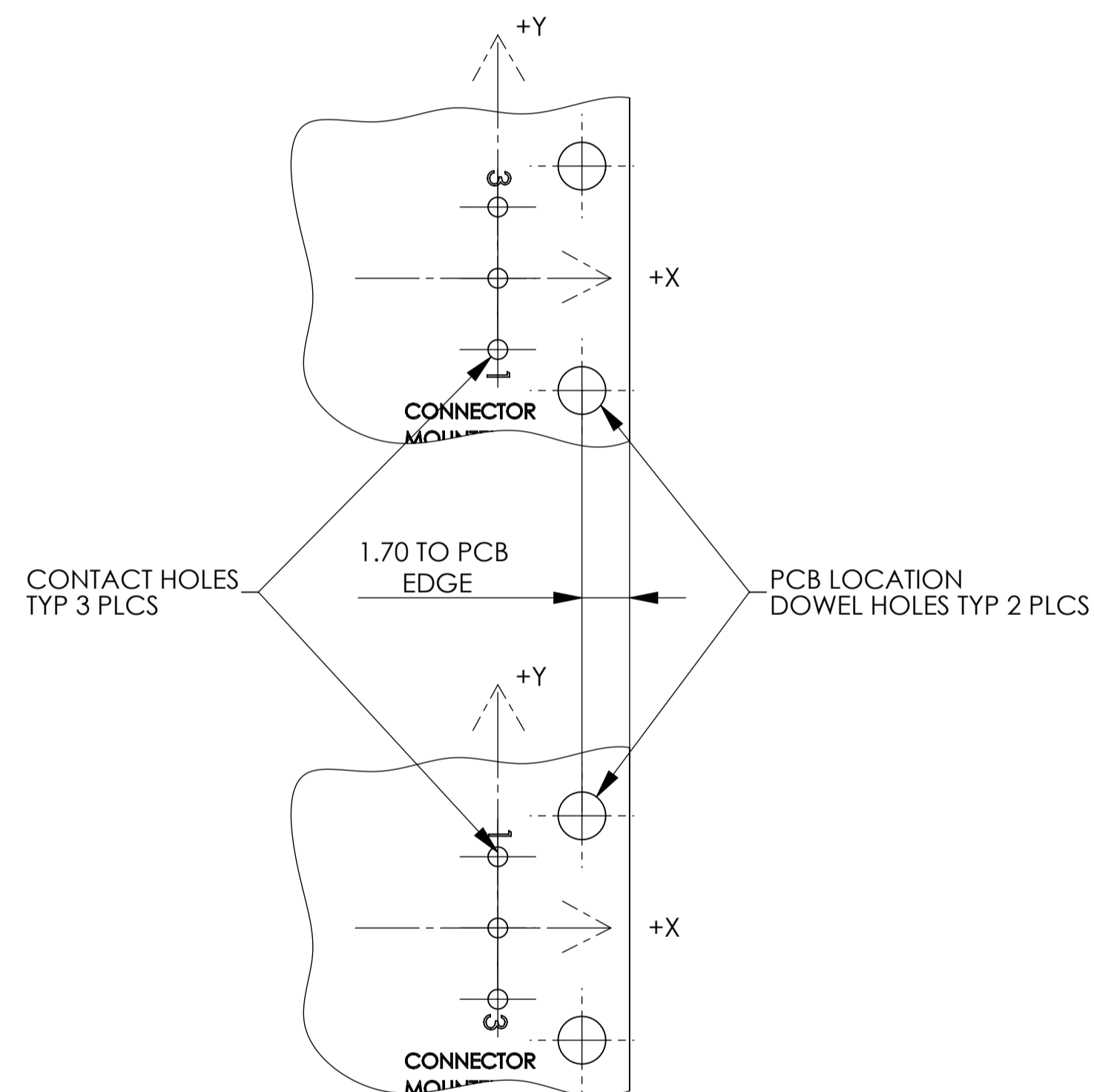
BS8888 THIRD ANGLE PROJECTION	MATERIAL: SEE NOTE 3	FINISH: SEE NOTE 3	 DEUTSCH TE CONNECTIVITY UK LTD., ST. LEONARDS-ON-SEA, TN38 9RF, UK
UNLESS OTHERWISE STATED: DIMENSIONS: mm [INCHES]	TITLE: D369 PANEL MOUNT PCB RECEPTACLE ENVELOPE		
IF IN DOUBT, ASK	SIZE: A1	SCALE: 6:1	DRAWING NUMBER: D612229-ENV
			SHEET: 1 OF 2
			ISSUE: AC

THIS INFORMATION IS CONFIDENTIAL AND PROPRIETARY TO TYCO ELECTRONICS CORPORATION AND ITS WORLDWIDE SUBSIDIARIES AND AFFILIATES (TE). IT MAY NOT BE DISCLOSED TO ANYONE OTHER THAN TE PERSONNEL WITHOUT AUTHORIZATION FROM TE (WWW.TECCO.COM).

PCB HOLE LAYOUT DETAIL

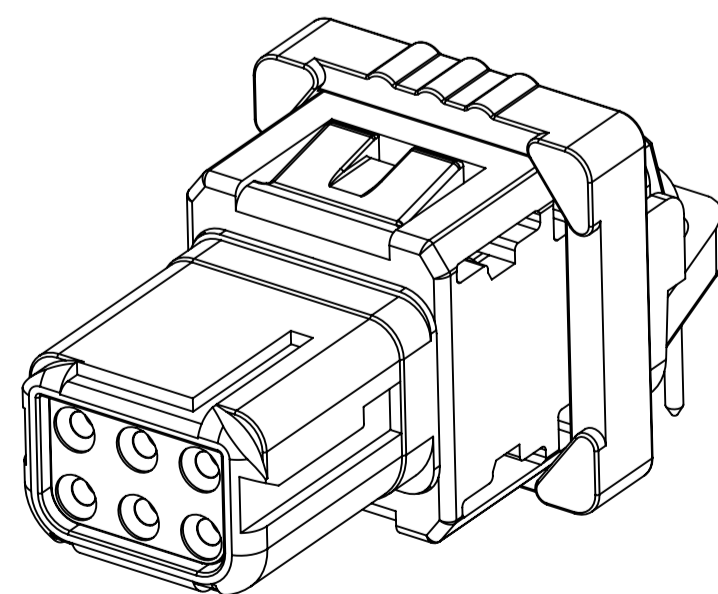
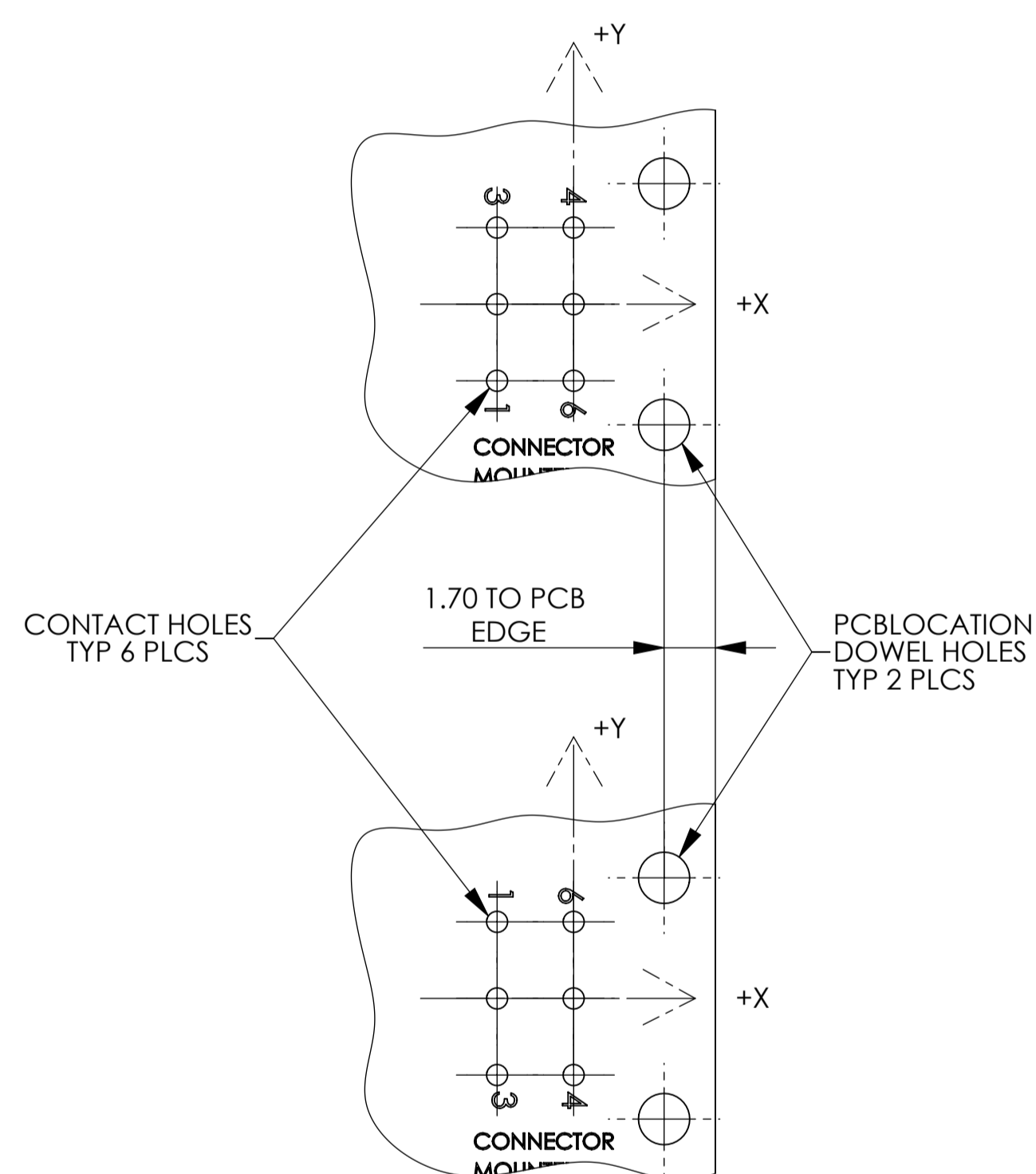
3 WAY CONNECTOR

HOLE TYPE	CO-ORDINATES (mm)				HOLE POSITION TOLERANCE	
	PIN		SOCKET			
	X AXIS	Y AXIS	X AXIS	Y AXIS		
PCB LOCATION HOLES	+3.00 REF	+4.00 REF	+3.00 REF	+4.00 REF	∅0.10	
	+3.00 REF	-4.00 REF	+3.00 REF	-4.00 REF		
CONTACT TAIL HOLES	LOCATION	-	-	-	HOLE DIAMETERS AND TOLERANCES AND HOLE POSITION TOLERANCES TO SUIT CUSTOMER PCB DESIGN GUIDELINES	
	1	0	-2.54	0		+2.54
	2	0	0	0		0
	3	0	+2.54	0		-2.54



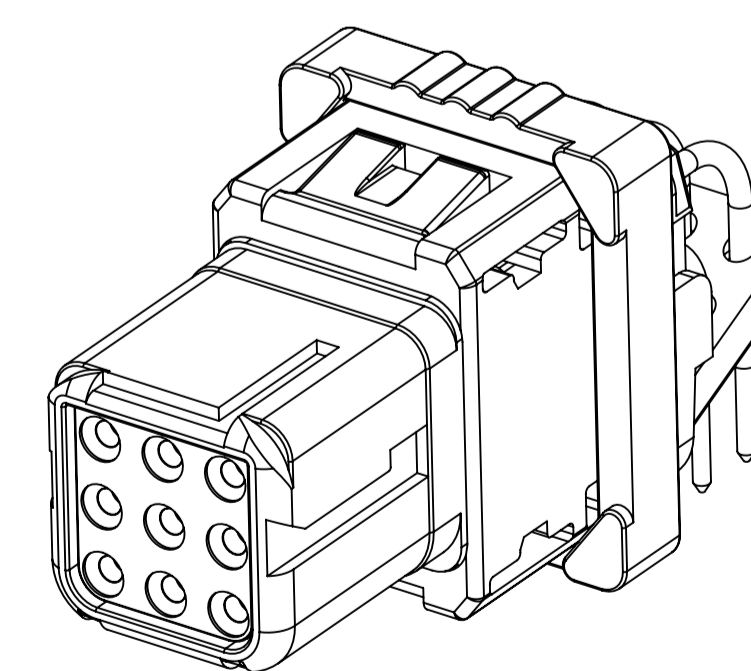
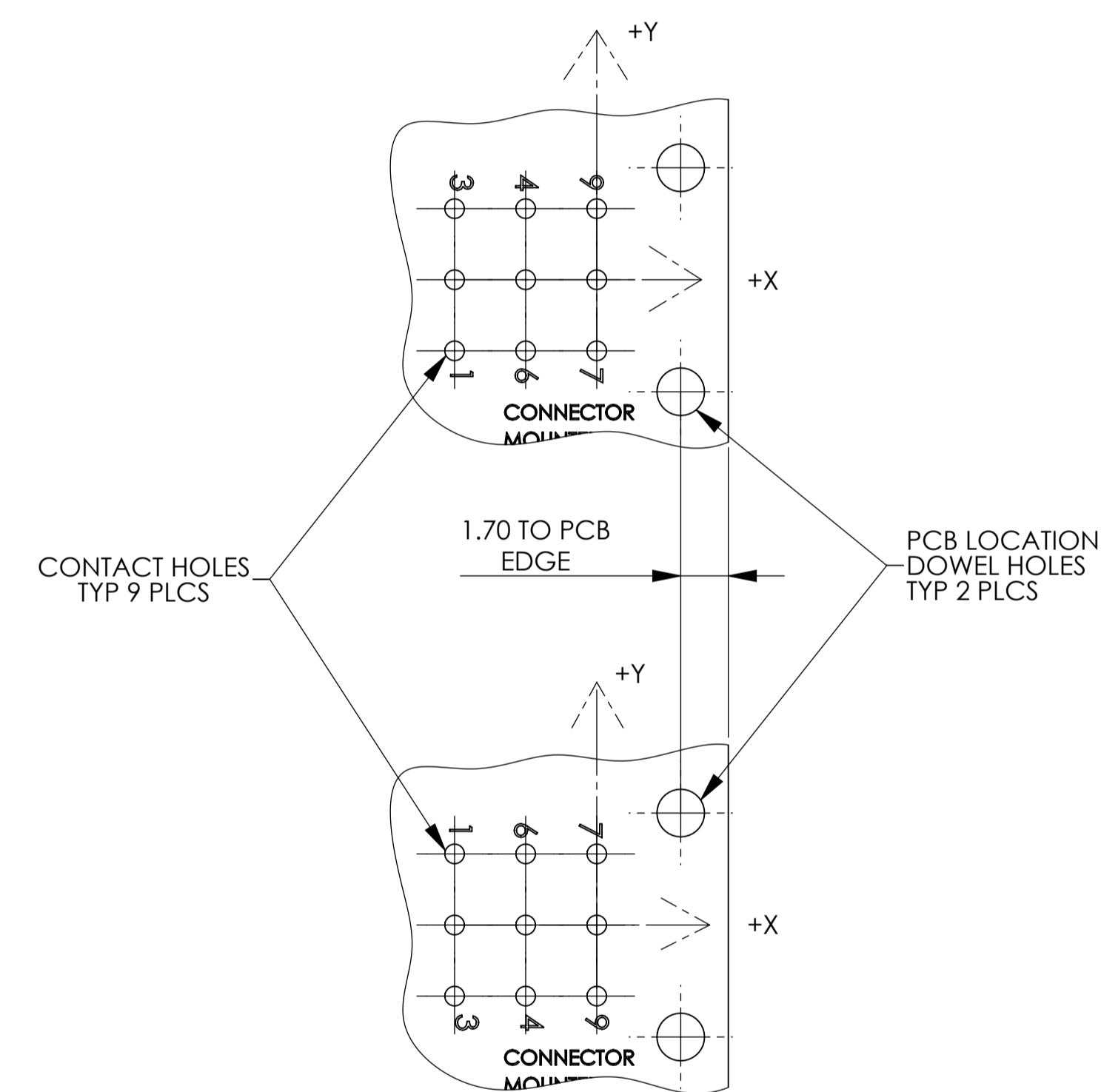
6 WAY CONNECTOR

HOLE TYPE	CO-ORDINATES (mm)				HOLE POSITION TOLERANCE	
	PIN		SOCKET			
	'X'	'Y'	'X'	'Y'		
PCB LOCATION HOLES	+3.00 REF	+4.00 REF	+3.00 REF	+4.00 REF	∅0.10	
	+3.00 REF	-4.00 REF	+3.00 REF	-4.00 REF		
CONTACT TAIL HOLES	LOCATION	-	-	-	HOLE DIAMETERS AND TOLERANCES AND HOLE POSITION TOLERANCES TO SUIT CUSTOMER PCB DESIGN GUIDELINES	
	1	-2.54	-2.54	-2.54		+2.54
	2	-2.54	0	-2.54		0
	3	-2.54	+2.54	-2.54		-2.54
	4	0	+2.54	0		-2.54
	5	0	0	0		0
	6	0	-2.54	0		+2.54



9 WAY CONNECTOR

HOLE TYPE	CO-ORDINATES (mm)				HOLE POSITION TOLERANCE	
	PIN		SOCKET			
	'X'	'Y'	'X'	'Y'		
PCB LOCATION HOLES	+3.00 REF	+4.00 REF	+3.00 REF	+4.00 REF	∅0.10	
	+3.00 REF	-4.00 REF	+3.00 REF	-4.00 REF		
CONTACT TAIL HOLES	LOCATION	-	-	-	HOLE DIAMETERS AND TOLERANCES AND HOLE POSITION TOLERANCES TO SUIT CUSTOMER PCB DESIGN GUIDELINES	
	1	-5.08	-2.54	-5.08		+2.54
	2	-5.08	0	-5.08		0
	3	-5.08	+2.54	-5.08		-2.54
	4	-2.54	+2.54	-2.54		-2.54
	5	-2.54	0	-2.54		0
	6	-2.54	-2.54	-2.54		+2.54
	7	0	-2.54	0		+2.54
	8	0	0	0		0
	9	0	+2.54	0		-2.54



BS8888 THIRD ANGLE PROJECTION	MATERIAL: SEE NOTE 3	FINISH: SEE NOTE 3	 DEUTSCH
UNLESS OTHERWISE STATED: DIMENSIONS: mm [INCHES]	TITLE: D369 PANEL MOUNT PCB RECEPTACLE ENVELOPE		
IF IN DOUBT, ASK	SIZE: A1	SCALE: 5:1	DRAWING NUMBER: D612229-ENV
			SHEET: 2 OF 2
			ISSUE: AC

THIS INFORMATION IS CONFIDENTIAL AND PROPRIETARY TO TYCO ELECTRONICS CORPORATION AND ITS WORLDWIDE SUBSIDIARIES AND AFFILIATES (TE). IT MAY NOT BE DISCLOSED TO ANYONE, OTHER THAN TE PERSONNEL, WITHOUT AUTHORIZATION FROM TE (www.teccotti).