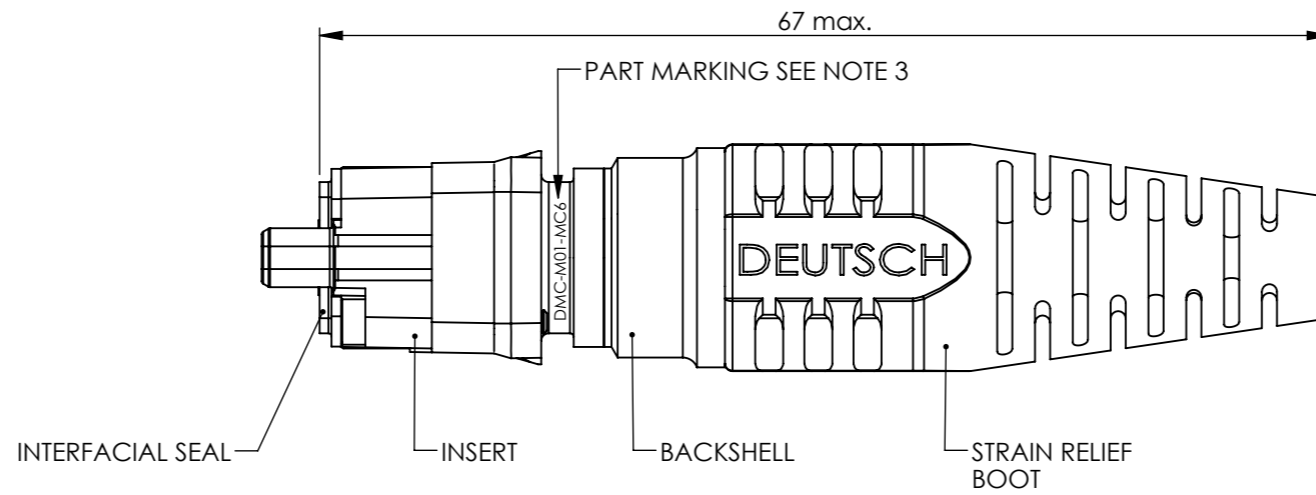
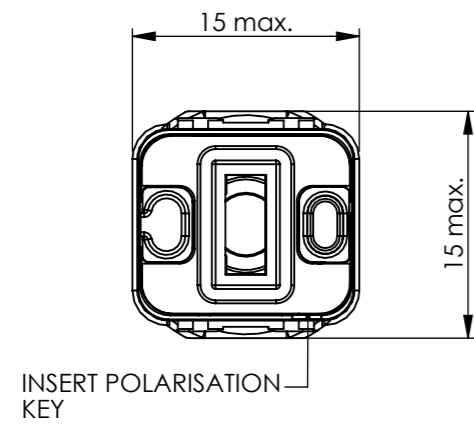
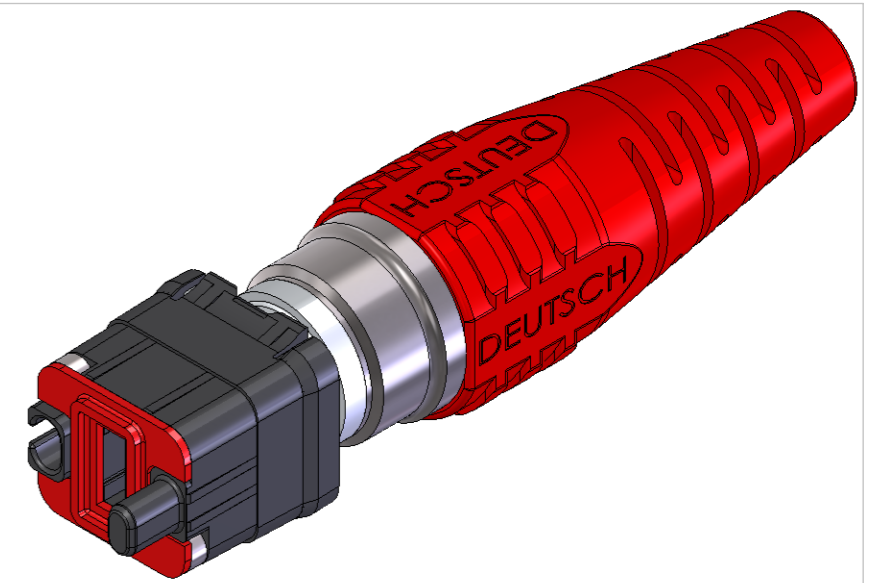
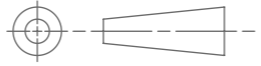


DRAWING NUMBER

830016-ENV

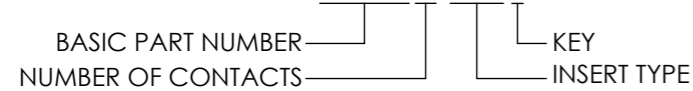
A3

BS 8888
THIRD ANGLE
PROJECTION
IF IN DOUBT, ASK



NOTES:

1. CONTACT NOT SUPPLIED, SEE 830113-ENV FOR DETAIL.
2. MODULE TO SUIT EN4165 FAMILY CONNECTOR SHELLS.
3. EXAMPLE OF PART NUMBER DMC-M01-MC6N



A	62298	MJH	RBC	RBC	LP	13/03/13
ISSUE	CHANGE NOTE	DRAWN	CHECKED	APP. ENG.	APP. MARKETING	DATE

MATERIAL		© THE COPYRIGHT OF THIS DRAWING IS RESERVED BY DEUTSCH UK. IT IS ISSUED ON CONDITION THAT IT IS NOT COPIED, REPRODUCED OR DISCLOSED TO A THIRD PARTY EITHER WHOLLY OR IN PART WITHOUT THE CONSENT IN WRITING OF DEUTSCH UK.	ST LEONARDS ON SEA, EAST SUSSEX, TN38 9RF TEL. +44 (0)1424 852721
HEAT TREATMENT & FINISH			
PACKAGING			
APP. I.E.D		TITLE	DMC-M MC6 MODULE ASSEMBLY ENVELOPE DRAWING
SCALE	NTS	DRAWING NUMBER	