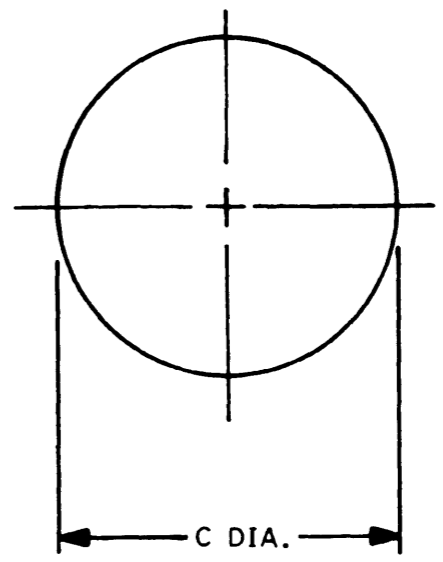
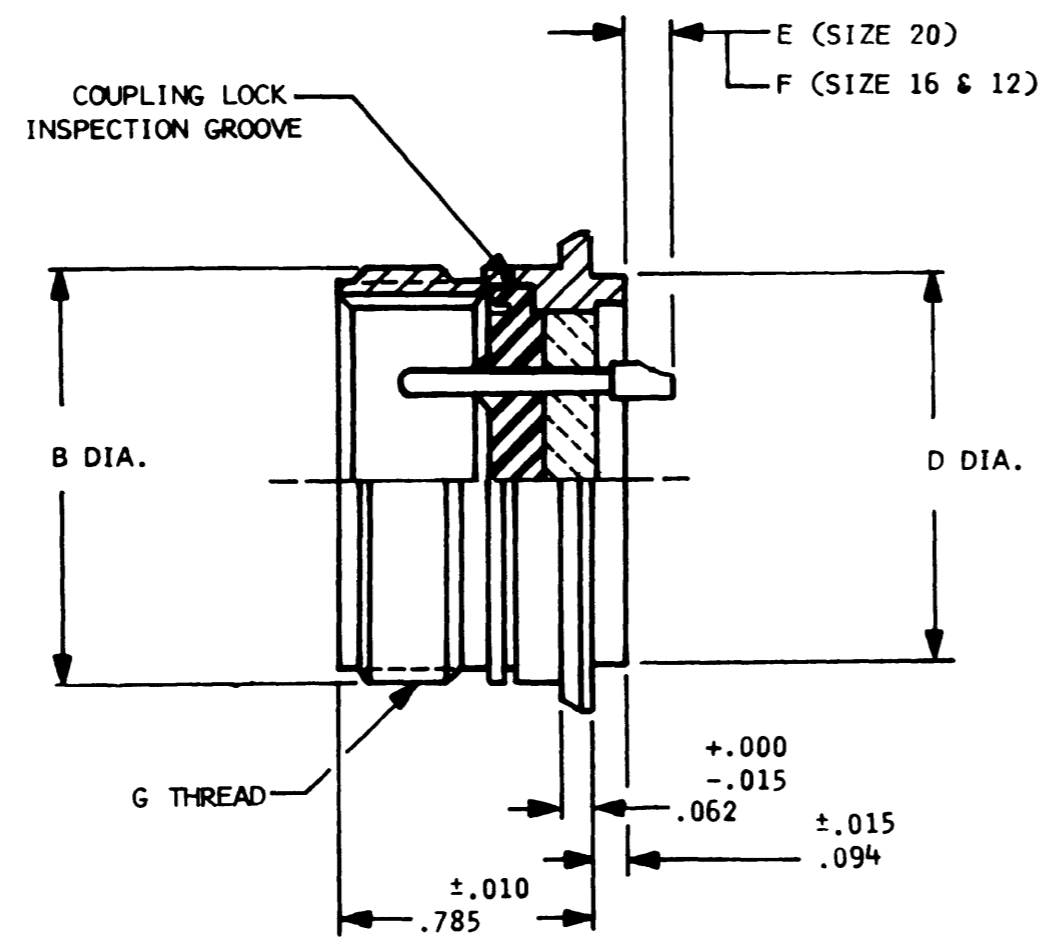
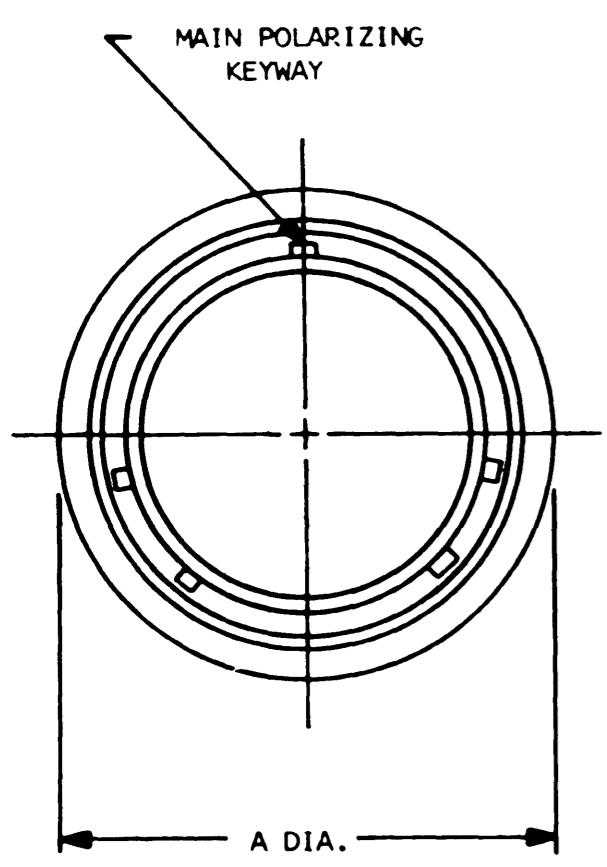


C DBA33H-**-**p**

REVISIONS			
SYM	DESCRIPTION	DATE	APPROVED
B	REDRAWN PER E.O. 61145	6-6-69	J. VEGA
C	REVISED PER E.O. A 4005	7/24/85	L. Stoll



SHELL SIZE	PART NUMBER	A±.010	B MAX.	C±.005	+ .001 D-.005	E±.030	F±.030	G THREAD	APPROX. WT. IN LBS.
8	DBA33H-8-**-**p**	.713	.560	.509	.498	.164	.194	9/16-24 UNEF	
10	DBA33H-10-**-**p**	.840	.696	.572	.561	.164	.194	11/16-24 UNEF	
12	DBA33H-12-**-**p**	1.045	.875	.760	.749	.164	.194	7/8-20 UNEF	
14	DBA33H-14-**-**p**	1.090	.936	.822	.811	.164	.194	15/16-20 UNEF	
16	DBA33H-16-**-**p**	1.210	1.062	.947	.936	.164	.194	1 1/16-18 UNEF	
18	DBA33H-18-**-**p**	1.340	1.187	1.072	1.061	.164	.194	1 3/16-18 UNEF	
22	DBA33H-22-**-**p**	1.590	1.437	1.322	1.311	.164	.194	1 7/16-18 UNEF	
24	DBA33H-24-**-**p**	1.710	1.625	1.447	1.436	.164	.194	1 5/8-18 UNEF	

4. MATERIALS: SHELL-STAINLESS STEEL
CONTACTS, PIN-HIGH NICKEL-IRON ALLOY
INSERTS-COMPRESSION GLASS
ELASTOMER

3. FINISH: SHELL-ELECTRO POLISHED
CONTACTS-GOLD PLATED

2. CONTACT IDENTIFICATION IS IN CONTRASTING
COLOR TO INSERTS.


1. FOR AVAILABLE CONTACT ARRANGEMENTS AND
ALTERNATE CLOCKING POSITIONS, SEE PAGE
38500 IN DBA SECTION OF CATALOG.

NOTE:

SIGNATURE & DATE	
DR	J. Vega 6-6-69
CHK	[Signature]
PE	[Signature]
APPD	[Signature]
SCALE	WT

RECEPTACLE, CONNECTOR
HERMETIC,
SOLDER MOUNTING,
THREADED COUPLING

ENVELOPE

CP	MATL. CODE
The Deutsch Company ELECTRONIC COMPONENTS DIVISION  Municipal Airport Banning, California	
B	DBA33H-**-**p**
DWG SIZE	CODE 11139 SHEET OF