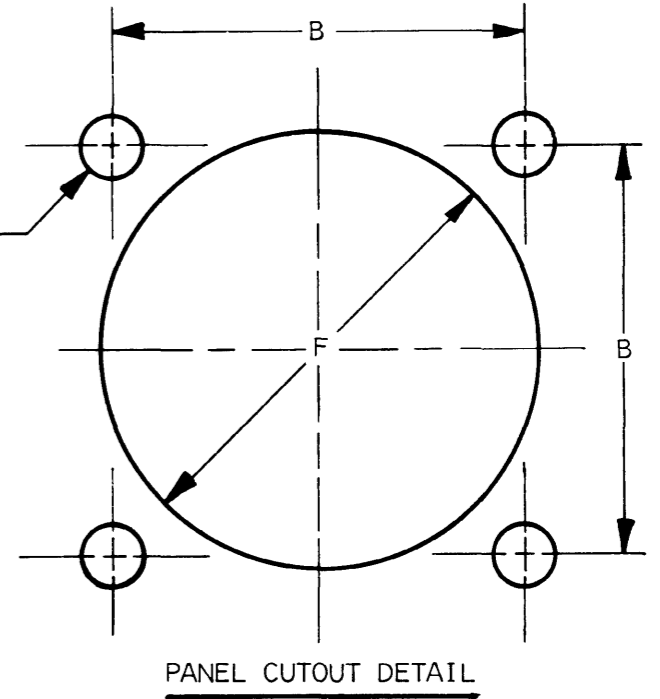
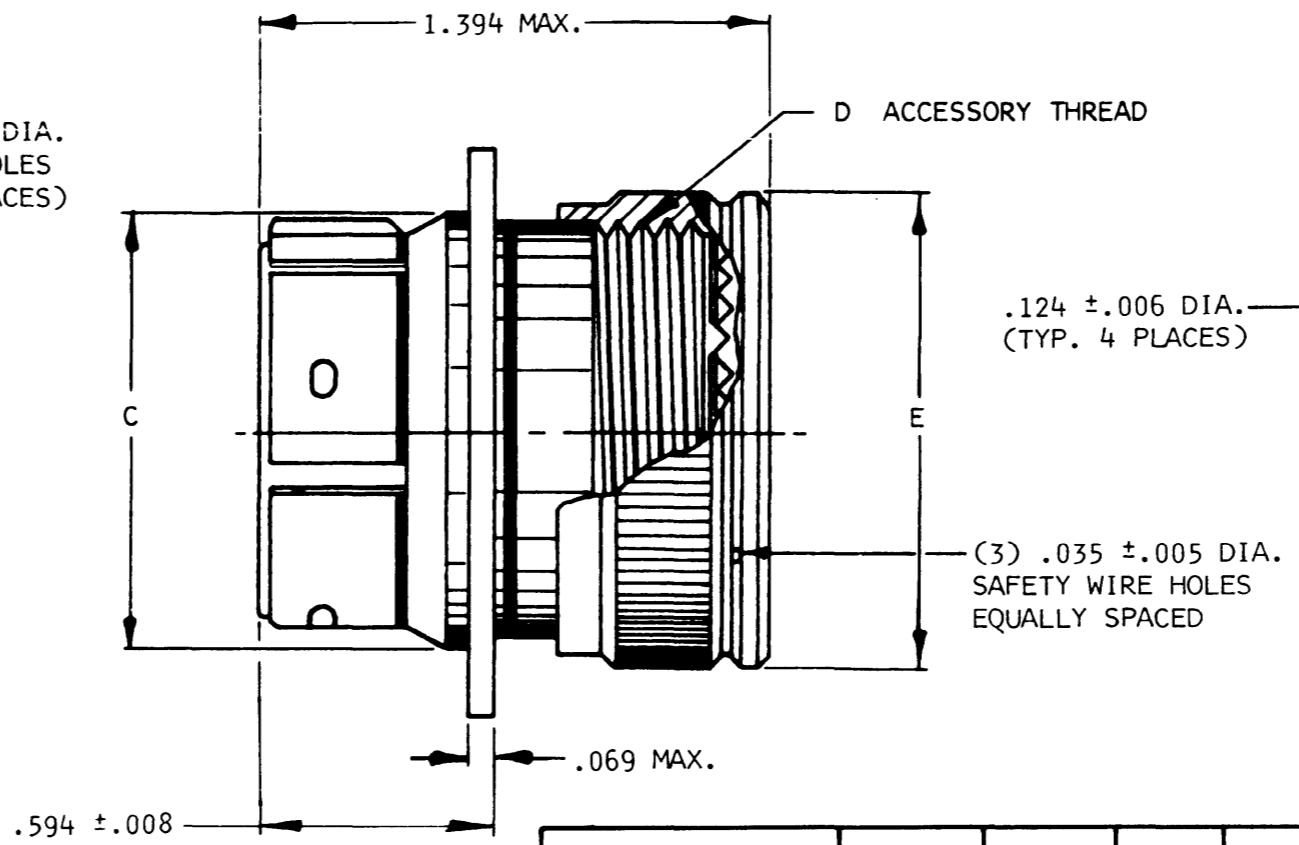
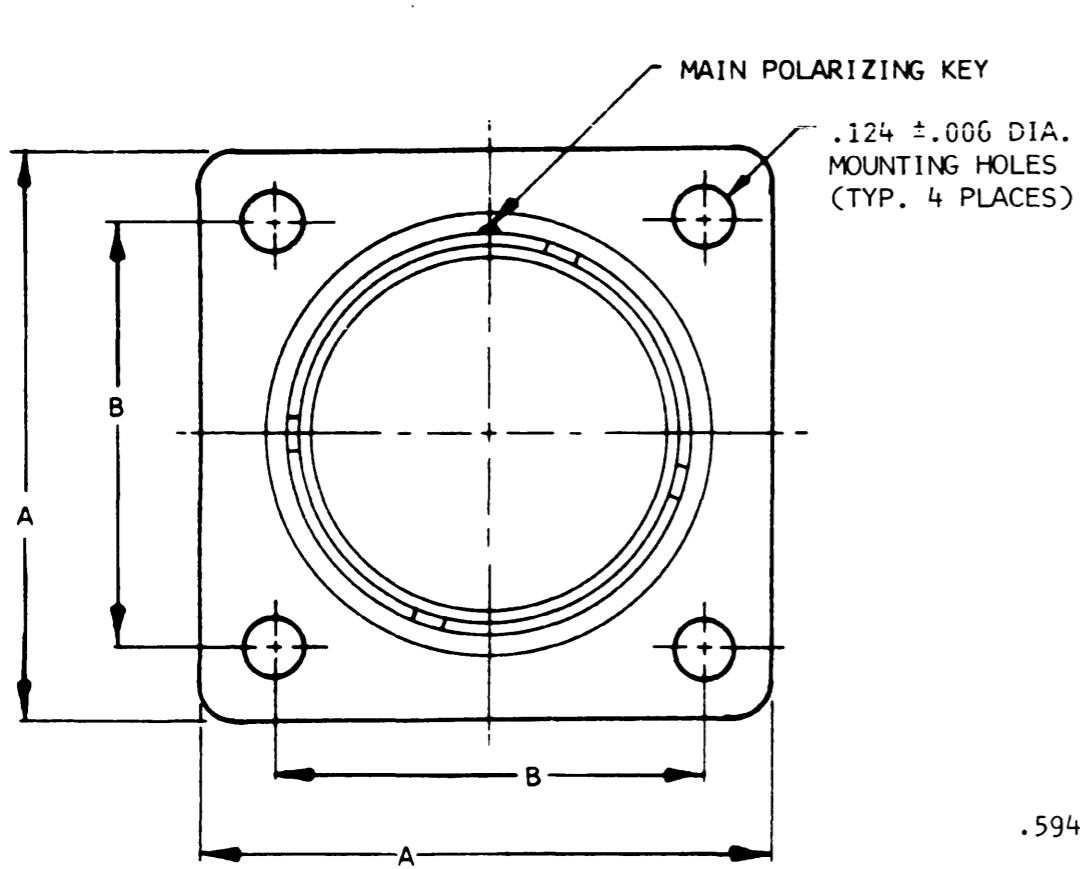


DBAS70-\*\*-\*\*P/S\*\*

REVISIONS

SYM	DESCRIPTION	DATE	APPROVED
A	REVISION PER E.O. 80779	10-28-75	



PART NUMBER	A MAX.	B ± .004	C MAX.	D THREAD	E MAX.	F <sup>+ .000</sup> - .008
DBAS70-3-**-**P/S**	.890	.626	.571	9/16-24 UNEF	.673	.583
DBAS70-7-**-**P/S**	1.016	.719	.683	3/4-20 UNEF	.858	.695
DBAS70-12-**-**P/S**	1.110	.812	.819	7/8-20 UNEF	.984	.831
DBAS70-19-**-**P/S**	1.205	.906	.945	1-20 UNEF	1.110	.957
DBAS70-27-**-**P/S**	1.299	.968	1.124	1 1/16-18 UNEF	1.191	1.140
DBAS70-37-**-**P/S**	1.453	1.186	1.254	1 3/16-18 UNEF	1.321	1.270
DBAS70-61-**-**P/S**	1.798	1.436	1.571	1 1/2-18 UNEF	1.644	1.583

- NOTES:
- FOR AVAILABLE CONTACT ARRANGEMENTS AND ALTERNATE INSERT POSITIONS, CONSULT FACTORY.
  - CONSULT FACTORY FOR ELECTRICAL AND MATERIAL SPECIFICATION.
  - FOR ACCESSORIES OTHER THAN STANDARD BACKSHELL CONSULT FACTORY.
  - CONNECTOR FINISH: NICKEL PLATE
  - PANEL CUTOUT TO BE BURR FREE.

SIGNATURE & DATE	
DR	<i>Don Singleton</i> 10-20-75
CHK	<i>[Signature]</i> 10-22-75
PE	<i>[Signature]</i>
APPD	
SCALE	NONE
WT	

RECEPTACLE,  
SQUARE FLANGE MOUNTING,  
PUSH-PULL  
QUICK DISCONNECT COUPLING  
DBAS CONNECTOR  
(ENVELOPE)

CP

**The Deutsch Company**  
ELECTRONIC COMPONENTS DIVISION  
Municipal Airport  
Banning, California

**B** DBAS70-\*\*-\*\*P/S\*\*

DWG SIZE CODE 11139 SHEET 1 OF 1