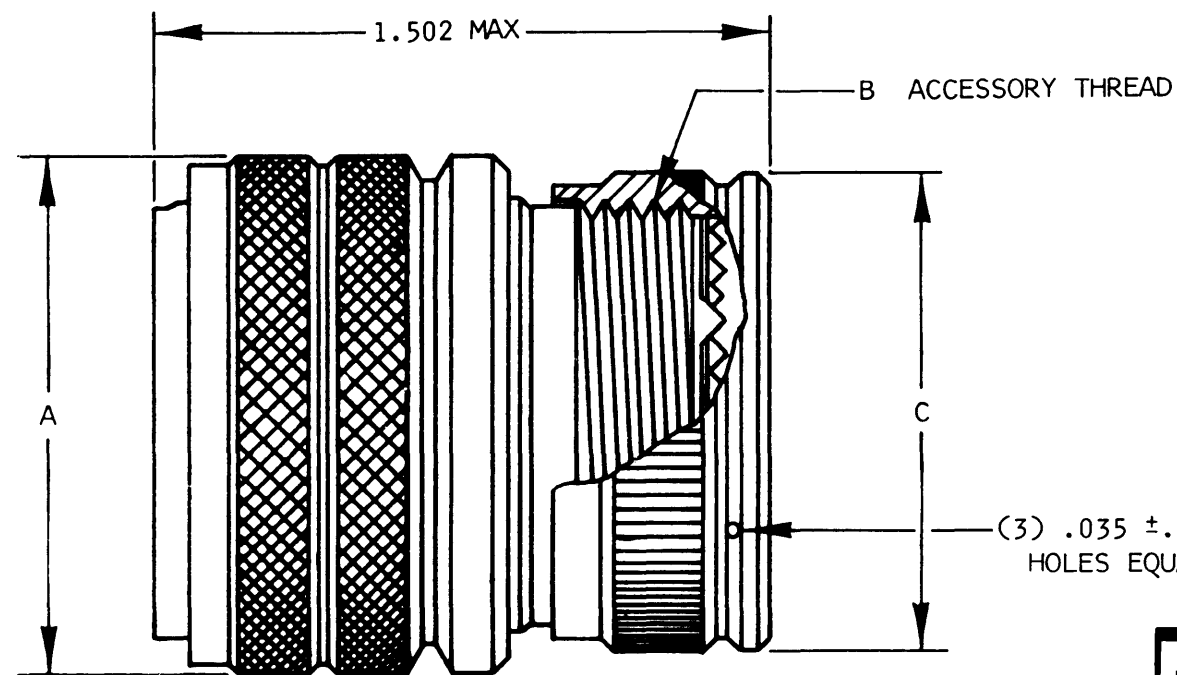
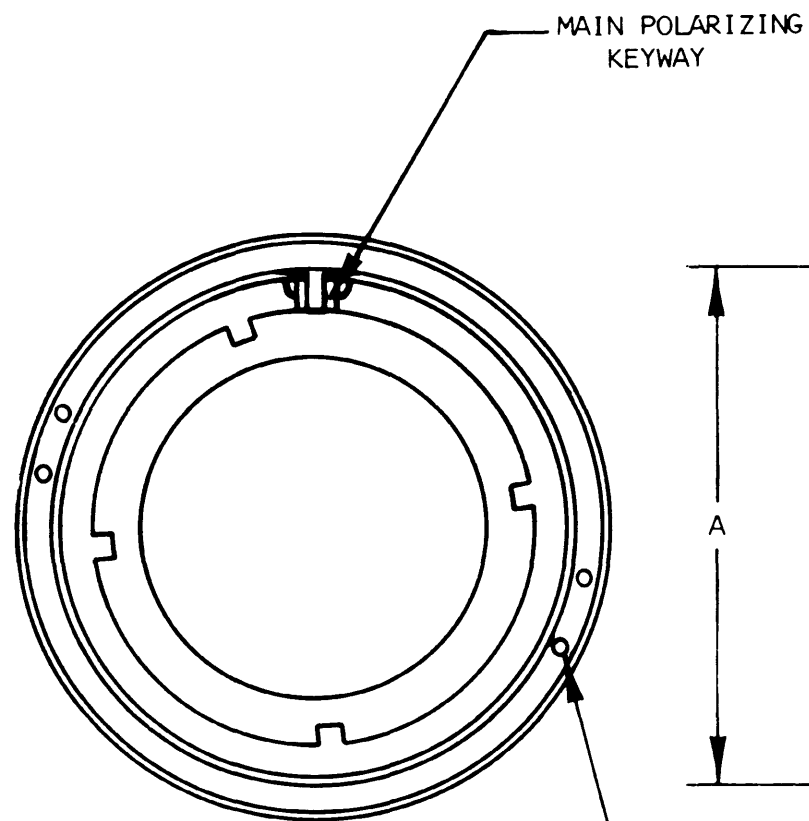


DBAS76-**-**P/S**

REVISIONS

SYM	DESCRIPTION	DATE	APPROVED
N/C	NEW RELEASE PER E.O. 80756	10-27-75	<i>ff</i>



(3) .035 ±.005 DIA. SAFETY WIRE HOLES EQUALLY SPACED


PART NO.'S	A MAX	B THREAD	C MAX
DBAS76-3-**-**P/S**	.803	9/16-24 UNEF	.682
DBAS76-7-**-**P/S**	.933	3/4-20 UNEF	.858
DBAS76-12-**-**P/S**	1.059	7/8-20 UNEF	.984
DBAS76-19-**-**P/S**	1.240	1-20 UNEF	1.112
DBAS76-27-**-**P/S**	1.421	1 1/16-18 UNEF	1.218
DBAS76-37-**-**P/S**	1.547	1 3/16-18 UNEF	1.345
DBAS76-61-**-**P/S**	1.862	1 1/2-18 UNEF	1.653

4. CONNECTOR FINISH: NICKEL PLATE
3. FOR ACCESSORIES OTHER THAN STANDARD BACKSHELL CONSULT FACTORY.
2. CONSULT FACTORY FOR ELECTRICAL AND MATERIAL SPECIFICATIONS.
- NOTE:** 1. FOR AVAILABLE CONTACT ARRANGEMENTS AND ALTERNATE INSERT POSITIONS, CONSULT FACTORY.

SIGNATURE & DATE	
DR	<i>Don Singleton 10-24-75</i>
CHK	<i>N. ANDREWS 10-31-75</i>
PE	<i>Pa. Inc. Inc</i>
APPD	
SCALE NONE	WT

PLUG
PUSH-PULL
QUICK DISCONNECT COUPLING

DBAS CONNECTOR
(ENVELOPE)

CP	MATL. CODE
The Deutsch Company ELECTRONIC COMPONENTS DIVISION  Municipal Airport Banning, California	
B	DBAS76-**-**P/S**
DWG SIZE	CODE 11139 SHEET 1 OF 1