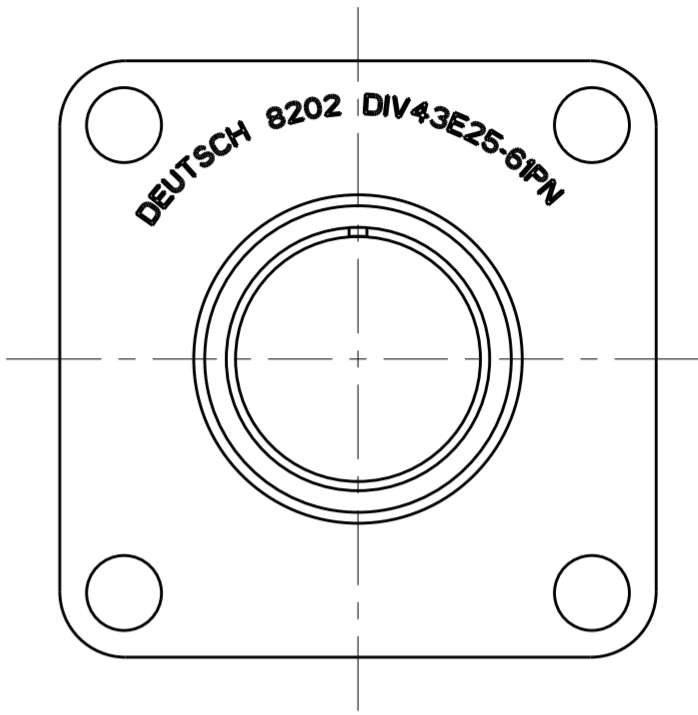
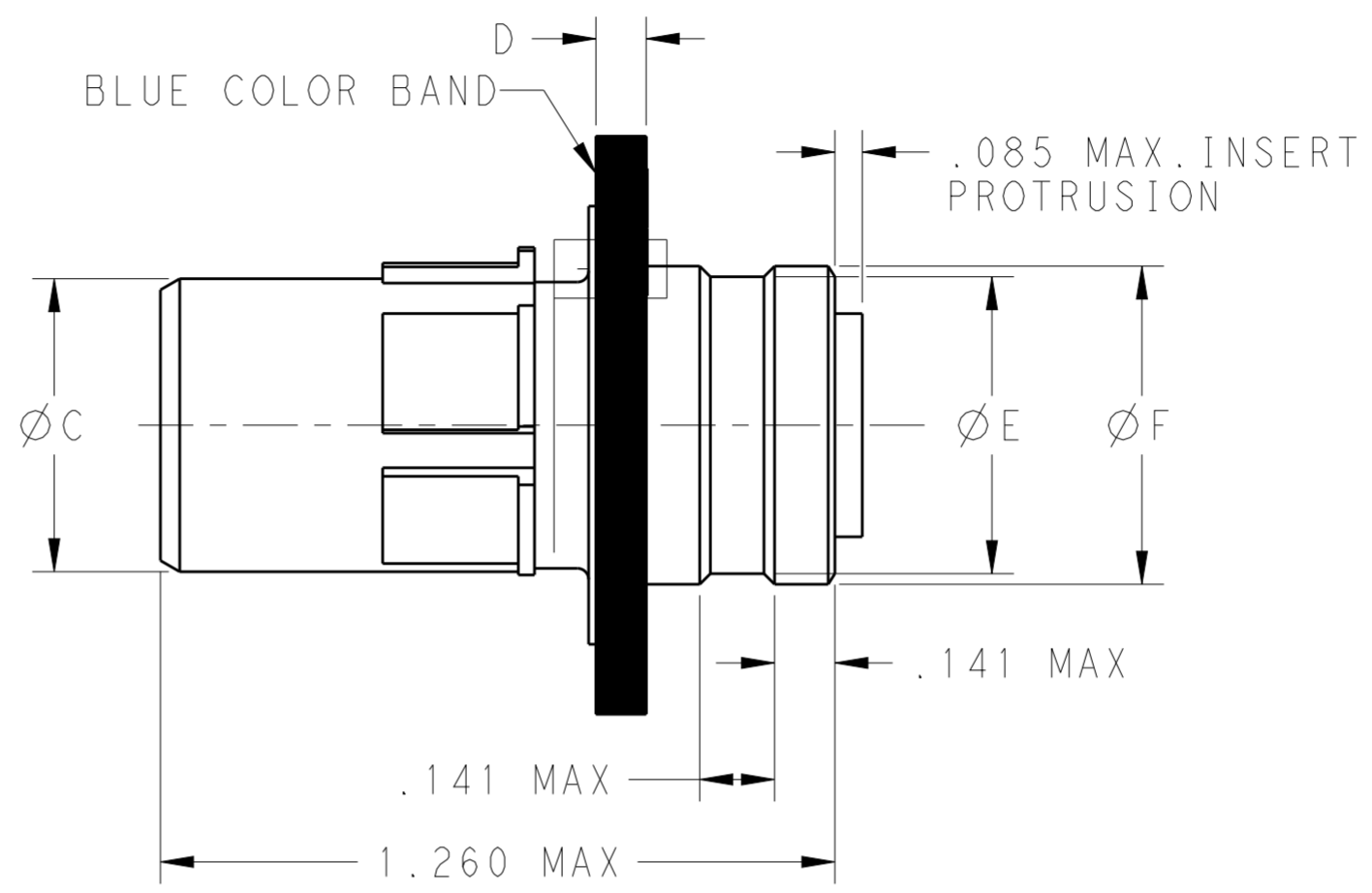
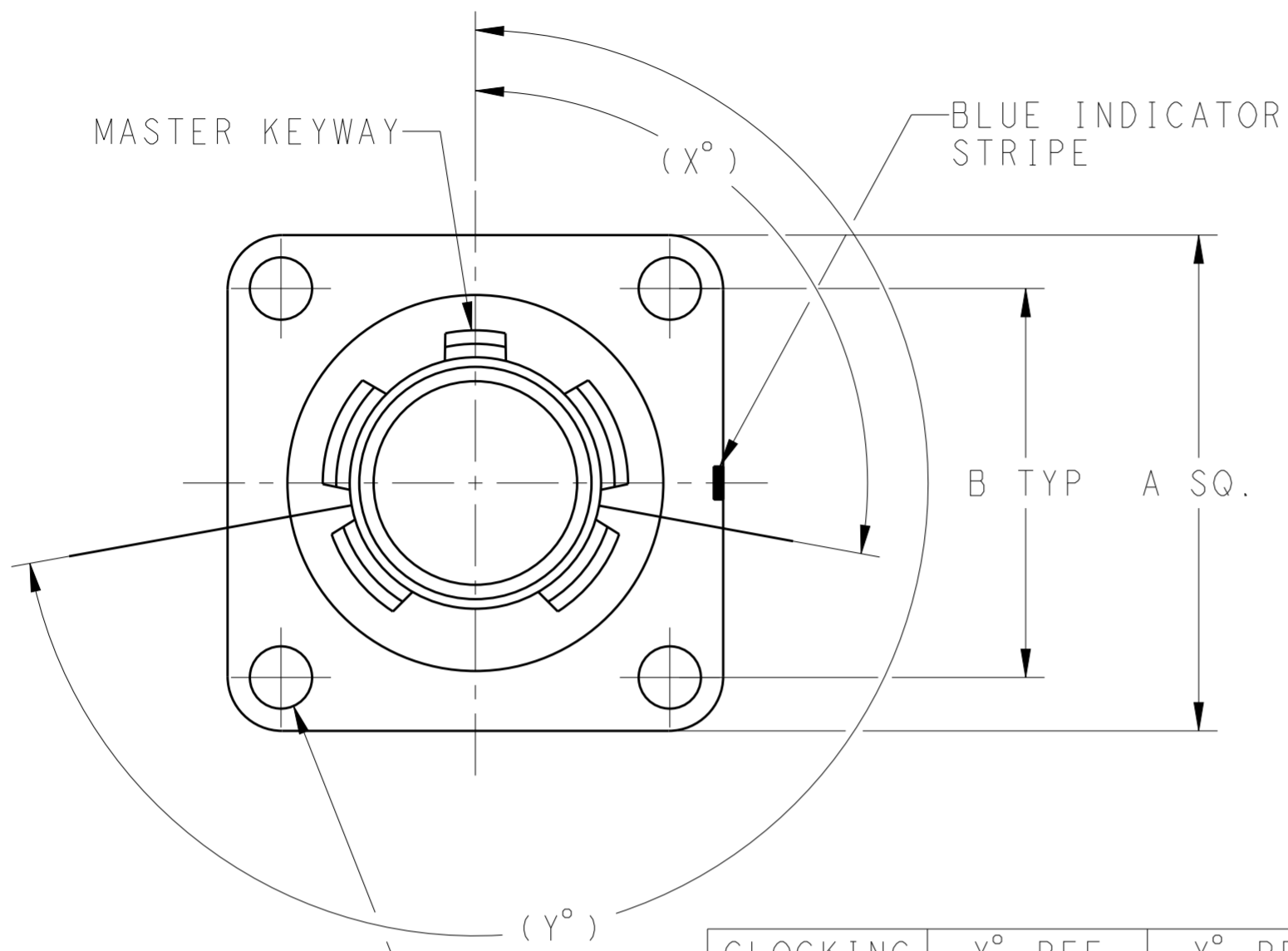


THIS DRAWING IS UNPUBLISHED. RELEASED FOR PUBLICATION 2015  
 © COPYRIGHT 2015 BY TE CONNECTIVITY OCEANSIDE ALL RIGHTS RESERVED.

PROPERTY OF TE CONNECTIVITY  
 THIS INFORMATION IS CONFIDENTIAL AND PROPRIETARY TO TYCO ELECTRONICS CORPORATION  
 AND ITS WORLDWIDE SUBSIDIARIES AND AFFILIATES (TE). IT MAY NOT BE DISCLOSED TO  
 ANYONE, OTHER THAN TE PERSONNEL, WITHOUT AUTHORIZATION FROM TE (www.TE.com).

REVISIONS					
P	LTR	DESCRIPTION	DATE	DWN	APVD
A		REVISED PER ECO-16-000573	161007	SS	AT
B		REVISED PER ECO-18-001218	180524	SS	AR

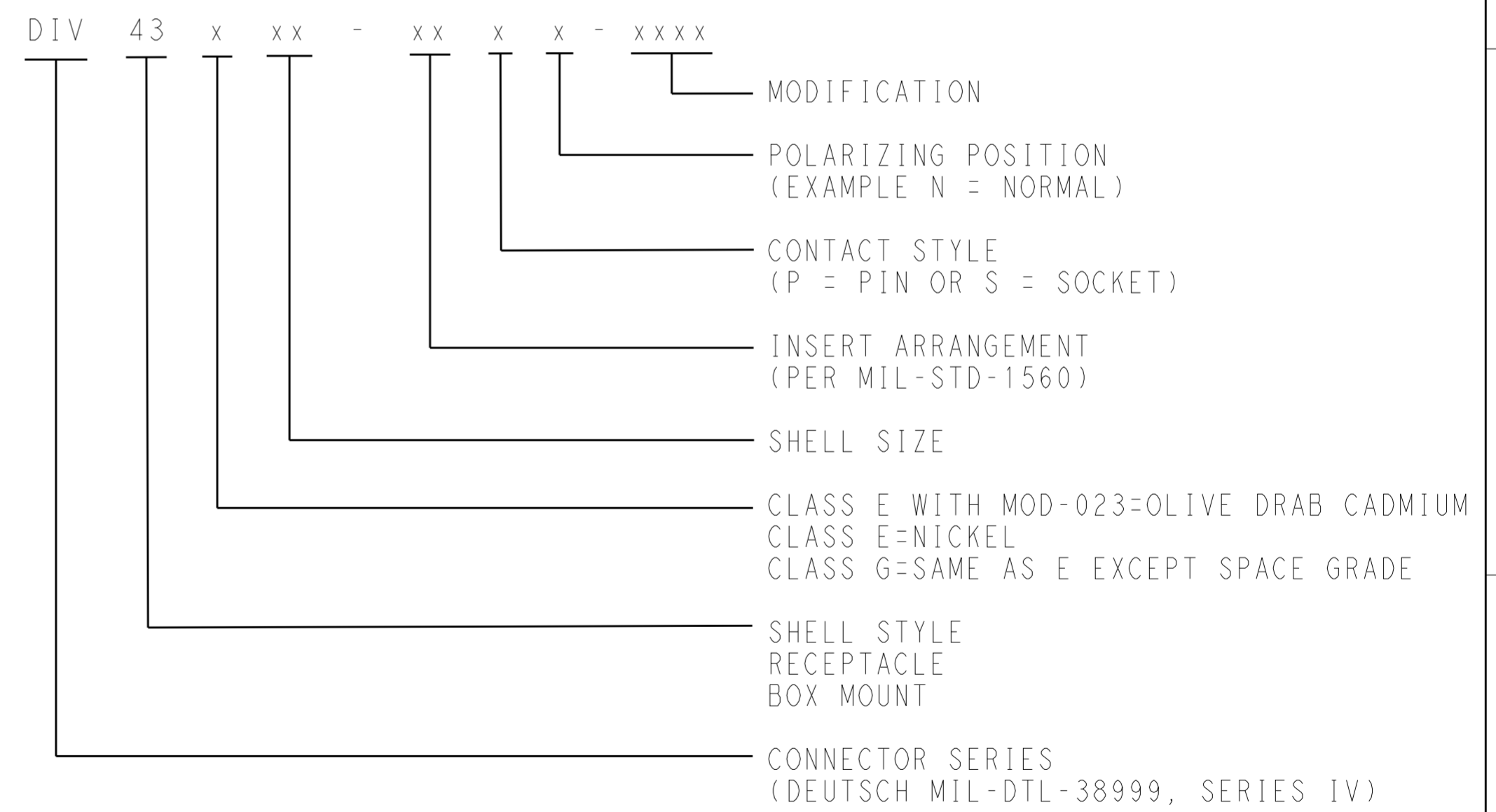


SIZE 11 THRU 21  
 Ø .129±.006 TYP.  
 SIZES 23 AND 25 ONLY  
 Ø .148±.006 TYP.

CLOCKING	X° REF	Y° REF
N	110	250
A	100	260
B	90	270
C	80	280
K	70	290

DEUTSCH PART NO.	A±.015	B±.005	C±.003	D±.007	E±.007	F±.007
DIV43x11-xxP/Sx	1.035	.812	.506	.095	.528	.571
DIV43x13-xxP/Sx	1.130	.906	.631	.095	.642	.685
DIV43x15-xxP/Sx	1.224	.969	.756	.095	.764	.811
DIV43x17-xxP/Sx	1.317	1.062	.882	.095	.890	.937
DIV43x19-xxP/Sx	1.443	1.156	1.006	.095	.996	1.044
DIV43x21-xxP/Sx	1.567	1.250	1.131	.125	1.123	1.166
DIV43x23-xxP/Sx	1.693	1.375	1.256	.125	1.248	1.292
DIV43x25-xxP/Sx	1.813	1.500	1.381	.125	1.371	1.418

EXAMPLE OF PART NUMBER:



3. FOR APPLICABLE KEYING DIAGRAM, AVAILABLE INSERT ARRANGEMENTS AND PANEL CUTOUT DIMENSIONS SEE MIL-DTL-38999 SERIES IV & ENVELOPE DRAWING NUMBER 1225-201-0000.

2. GENERAL SPECIFICATIONS: THIS CONNECTOR MEETS THE PERFORMANCE AND INTERMATEABILITY REQUIREMENTS OF MIL-DTL-38999, SERIES IV.

⚠ MATERIAL/FINISH: SHELL - ALUMINUM ALLOY, NICKEL PLATED.  
 CONTACTS - COPPER ALLOY, GOLD PLATED.  
 INSERTS - SILICONE ELASTOMER AND RIGID DIELECTRIC PLASTIC.

NOTES: UNLESS OTHERWISE SPECIFIED.

THIS DRAWING IS A CONTROLLED DOCUMENT.		DWN S. SOTELO 161007	TE Connectivity	
DIMENSIONS: INCHES		CHK E. ALAWNEH 161007		
TOLERANCES UNLESS OTHERWISE SPECIFIED:		APVD A. TEUNISSEN 161007	NAME RECEPTACLE, BOX MOUNTING BRECH COUPLING, DEUTSCH MIL-DTL-38999 SERIES IV CONNECTOR, ENVELOPE	
0 PLC ±		PRODUCT SPEC D38999/42	SIZE A2	
1 PLC ±0.1		APPLICATION SPEC	CAGE CODE 11139	
2 PLC ±0.01		WEIGHT	DRAWING NO. C-DIV43xxx-xxxx	
3 PLC ±0.005		RESTRICTED TO	SCALE 2:1 SHEET 1 OF 1 REV B	
4 PLC ±0.0005		Customer Drawing		
ANGLES ±.5				
FINISH				
SEE NOTE ⚠				