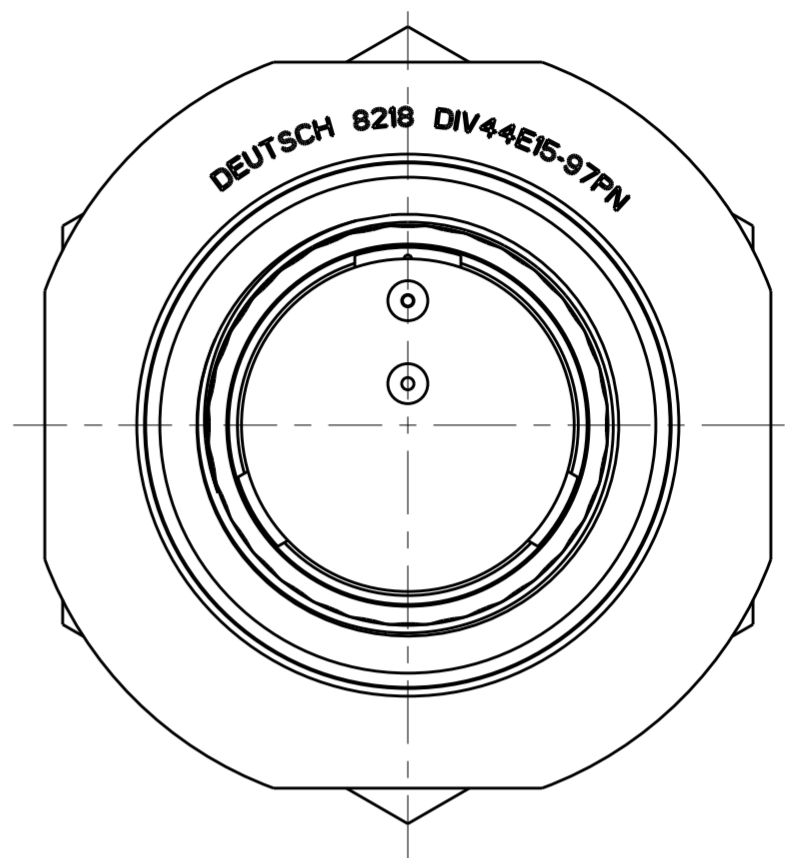
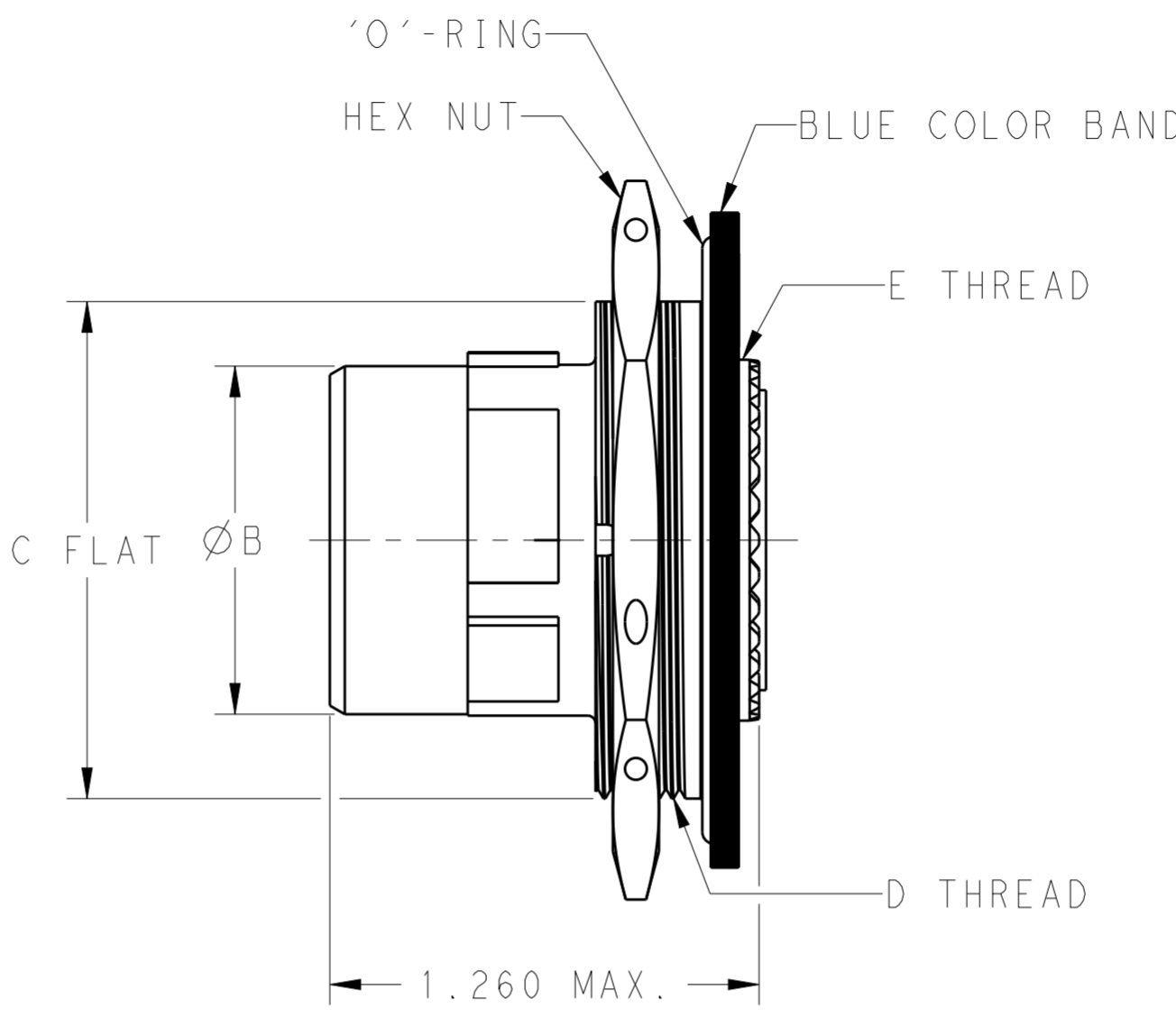
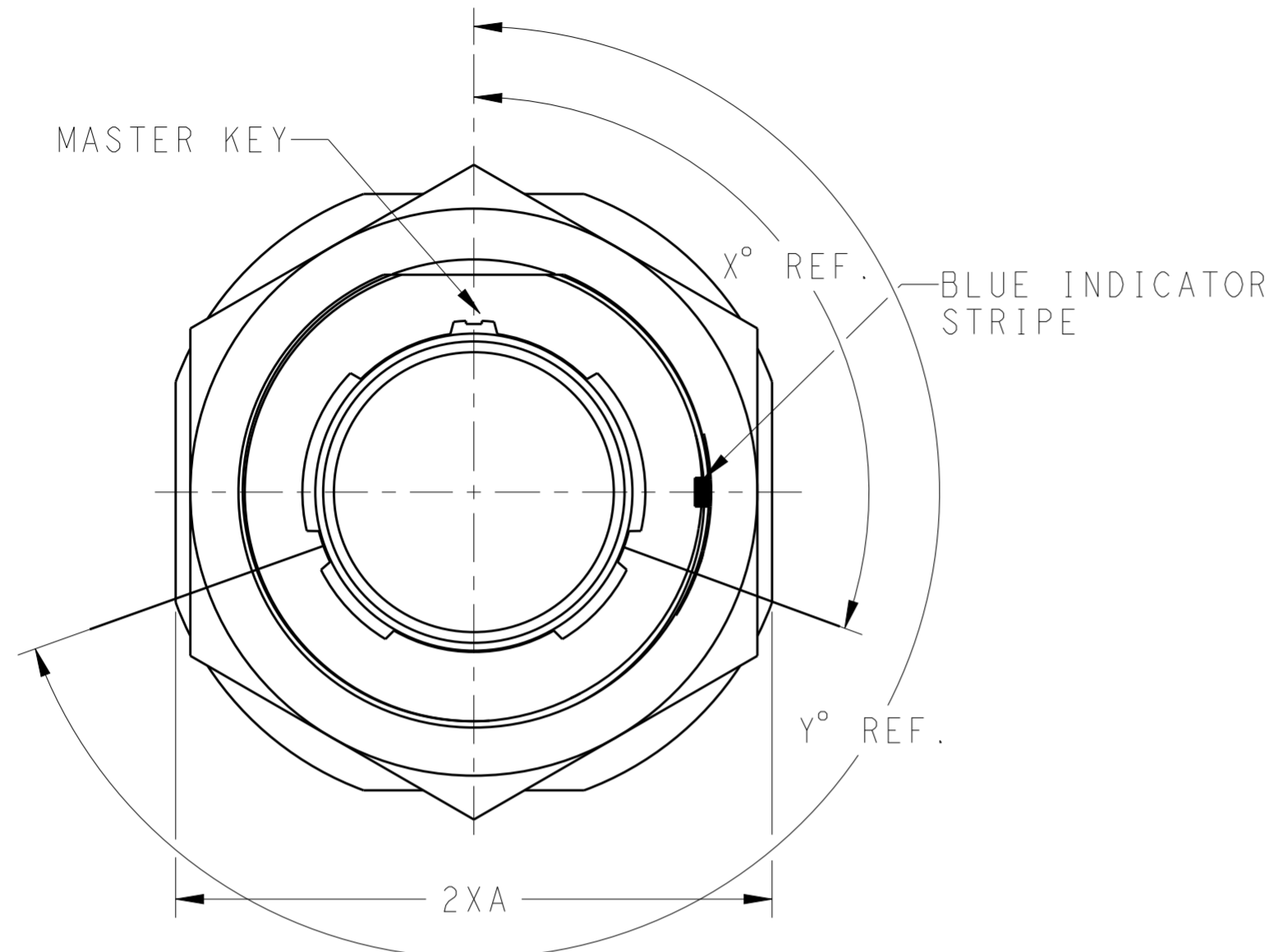


THIS DRAWING IS UNPUBLISHED. RELEASED FOR PUBLICATION 2015
 © COPYRIGHT 2015 BY TE CONNECTIVITY OCEANSIDE ALL RIGHTS RESERVED.

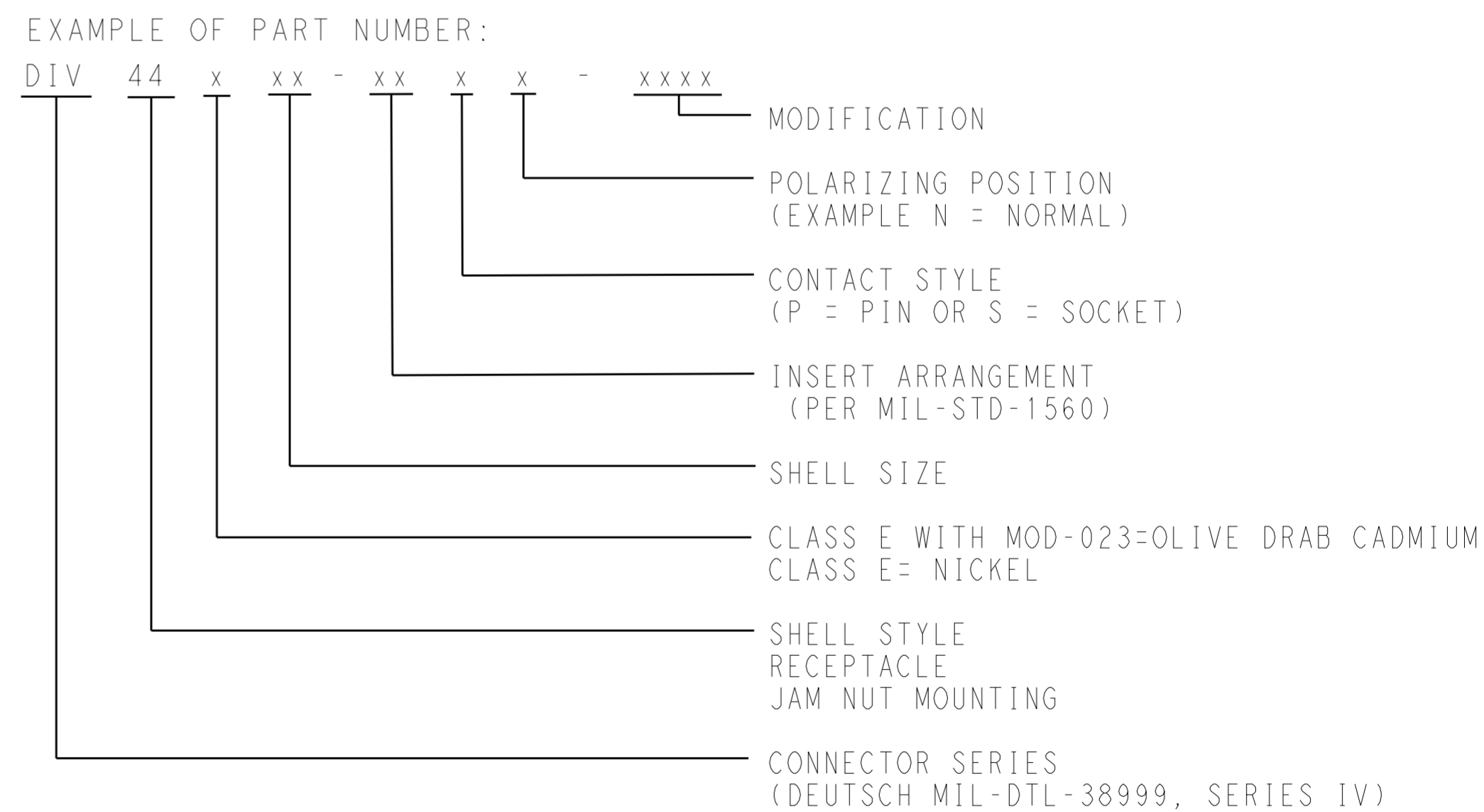
PROPERTY OF TE CONNECTIVITY
 THIS INFORMATION IS CONFIDENTIAL AND PROPRIETARY TO TYCO ELECTRONICS CORPORATION
 AND ITS WORLDWIDE SUBSIDIARIES AND AFFILIATES (TE). IT MAY NOT BE DISCLOSED TO
 ANYONE, OTHER THAN TE PERSONNEL, WITHOUT AUTHORIZATION FROM TE (www.TE.com).

REVISIONS					
P	LTR	DESCRIPTION	DATE	DWN	APVD
	A	REVISED PER ECO-16-000573	161007	SS	AT



CLOCKING	X° REF	Y° REF
N	110	250
A	100	260
B	90	270
C	80	280
K	70	290

PART NUMBER	A±.015	B±.003	C±.003	D THREAD METRIC	E THREAD METRIC
DIV44x11-xxP/Sx	1.376	.506	.939	M25X1.0-6g 0.100R	M15X1.0-6g 0.100R
DIV44x13-xxP/Sx	1.501	.631	1.063	M28X1.0-6g 0.100R	M18X1.0-6g 0.100R
DIV44x15-xxP/Sx	1.626	.756	1.188	M31X1.0-6g 0.100R	M22X1.0-6g 0.100R
DIV44x17-xxP/Sx	1.781	.882	1.318	M34X1.0-6g 0.100R	M25X1.0-6g 0.100R
DIV44x19-xxP/Sx	1.891	1.006	1.438	M38X1.0-6g 0.100R	M28X1.0-6g 0.100R
DIV44x21-xxP/Sx	2.016	1.131	1.563	M41X1.0-6g 0.100R	M31X1.0-6g 0.100R
DIV44x23-xxP/Sx	2.141	1.256	1.688	M44X1.0-6g 0.100R	M34X1.0-6g 0.100R
DIV44x25-xxP/Sx	2.266	1.381	1.813	M47X1.0-6g 0.100R	M37X1.0-6g 0.100R



- FOR APPLICABLE KEYING DIAGRAM AND AVAILABLE INSERT, ARRANGEMENTS SEE MIL-DTL-38999 SERIES IV AND MIL-STD-1560.
- GENERAL SPECIFICATIONS: THIS CONNECTOR MEETS THE PERFORMANCE AND INTERMATABILITY REQUIREMENTS OF MIL-DTL-38999, SERIES IV.

⚠ MATERIAL / FINISH: SHELL AND HEX NUT - ALUM ALLOY, NICKEL PLATED.
 CONTACTS - COPPER ALLOY, GOLD PLATED.
 RESILENT INSERTS AND 'O' -RING - SILICONE ELASTOMER.
 RIGID INSERTS - HIGH GRADE PLASTIC.

NOTES: UNLESS OTHERWISE SPECIFIED.

THIS DRAWING IS A CONTROLLED DOCUMENT.		DWN E. VILLAGRAN 150423	TE Connectivity	
DIMENSIONS: INCHES		CHK E. ALAWNEH 161007		
TOLERANCES UNLESS OTHERWISE SPECIFIED:		APVD A. TEUNISSEN 161007	NAME RECEPTACLE, JAM NUT MOUNTING BREECH COUPLING DEUTSCH MIL-DTL-38999 SERIES IV CONNECTOR ENVELOPE	
0 PLC ± 1 PLC ±0.1 2 PLC ±0.01 3 PLC ±0.005 4 PLC ±0.0005		PRODUCT SPEC D38999/44	SIZE A2	
MATERIAL SEE NOTE 1		FINISH SEE NOTE 1	CAGE CODE 11139	
		WEIGHT	DRAWING NO G-DIV44xxx-xxxx	
		Customer Drawing	RESTRICTED TO	
		SCALE 1:1	SHEET 1 OF 1 REV A	