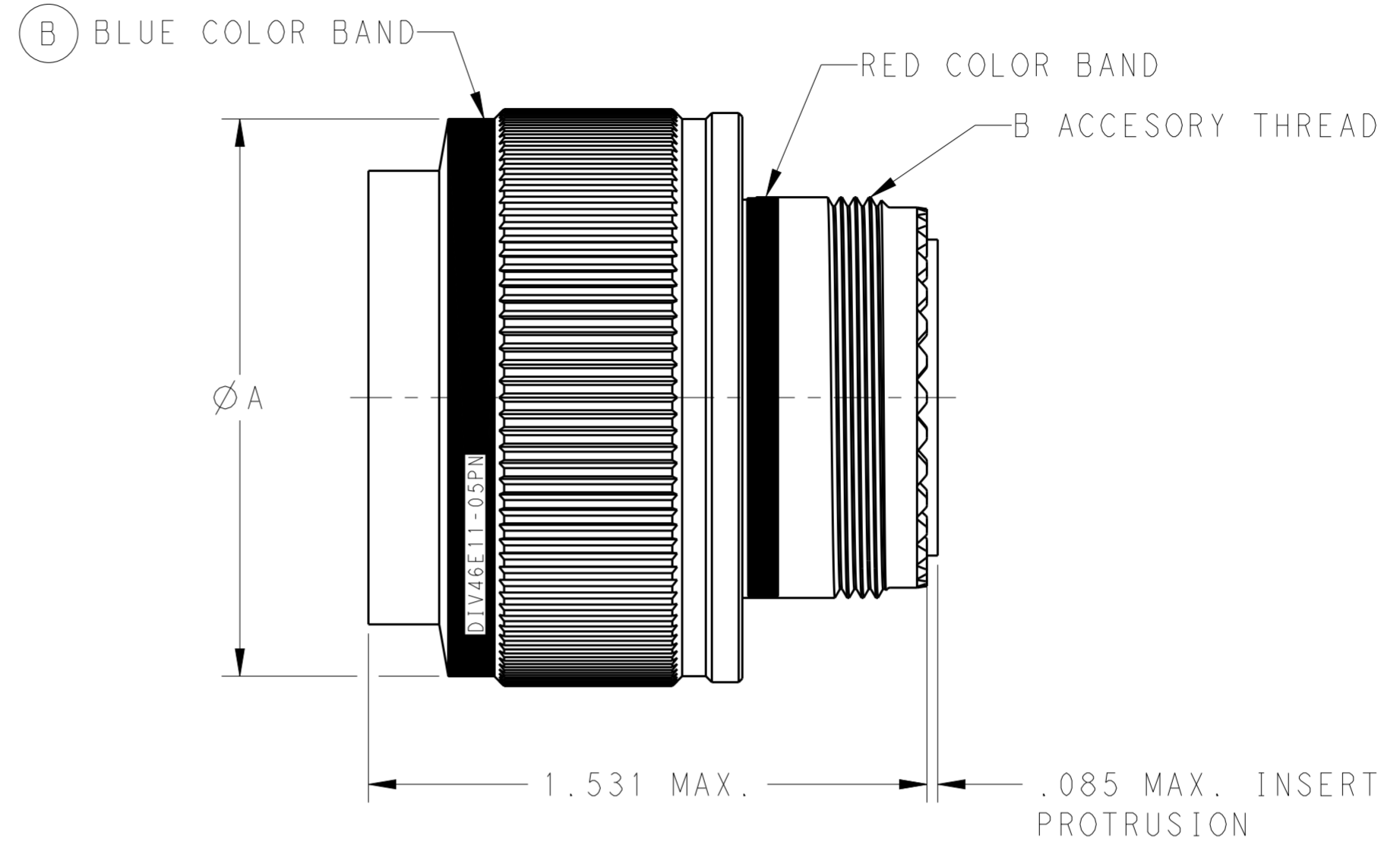
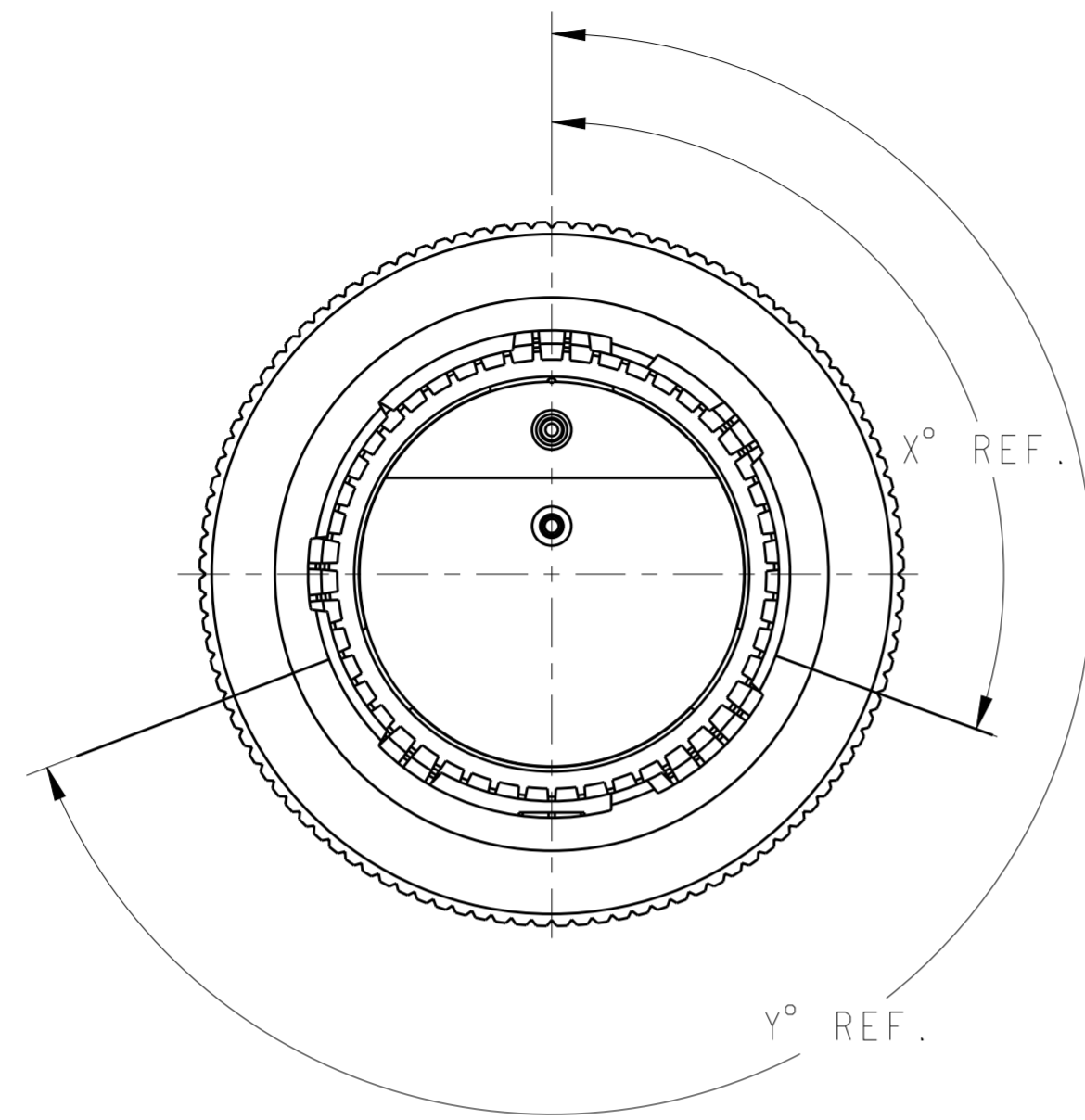


THIS DRAWING IS UNPUBLISHED. RELEASED FOR PUBLICATION 2015  
 © COPYRIGHT 2015 BY TE CONNECTIVITY OCEANSIDE ALL RIGHTS RESERVED.

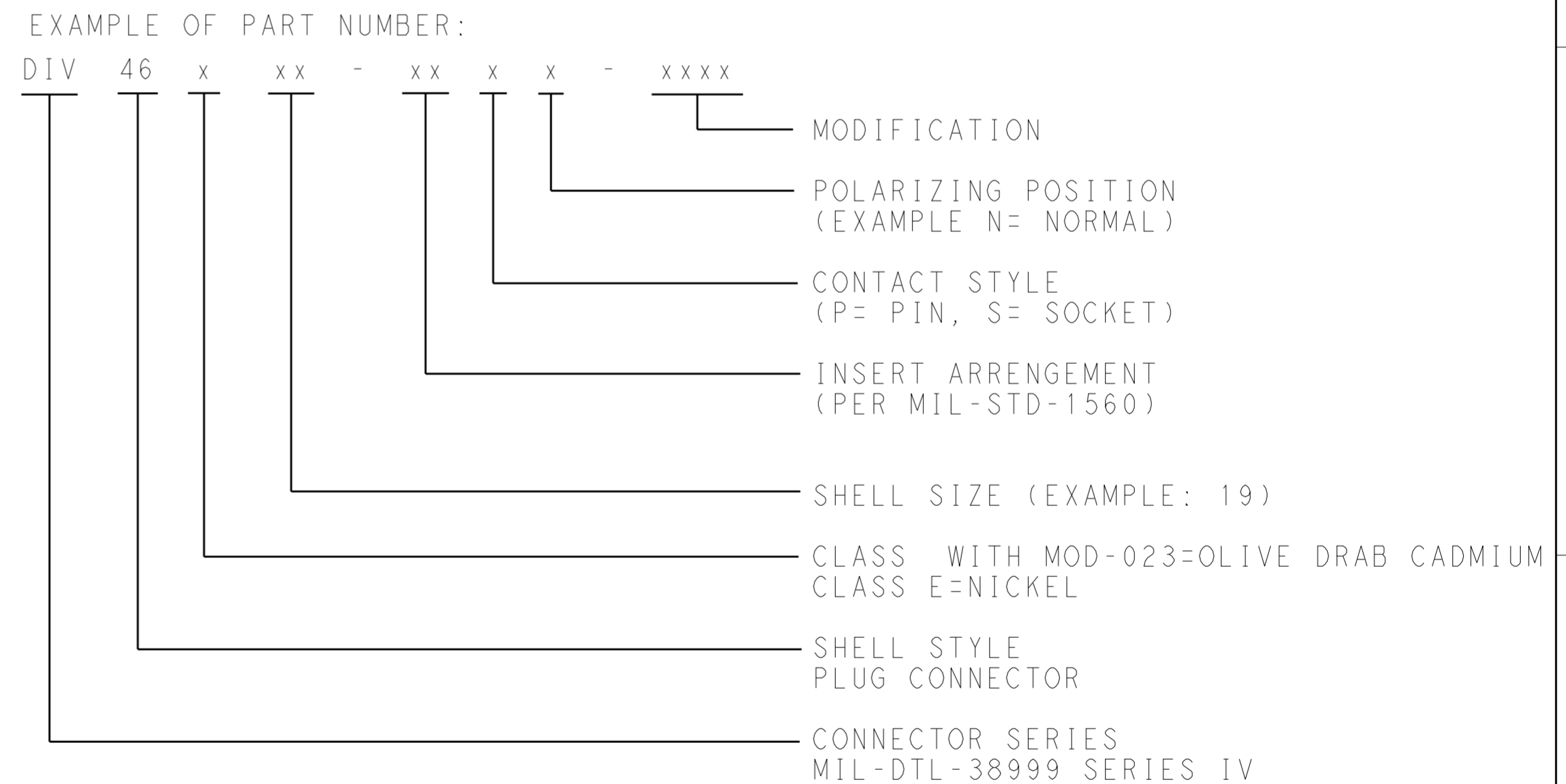
PROPERTY OF TE CONNECTIVITY  
 THIS INFORMATION IS CONFIDENTIAL AND PROPRIETARY TO TYCO ELECTRONICS CORPORATION AND ITS WORLDWIDE SUBSIDIARIES AND AFFILIATES (TE). IT MAY NOT BE DISCLOSED TO ANYONE, OTHER THAN TE PERSONNEL, WITHOUT AUTHORIZATION FROM TE (www.TE.com).

REVISIONS					
P	LTR	DESCRIPTION	DATE	DWN	APVD
A		REVISED PER ECO-16-00573	161007	SS	AT
B		REVISED PER ECO-20-010725	30JUL2020	CL	AR



PART NUMBER	A± .015	B THREAD METRIC
DIV46x11-xxP/Sx	1.007	M15X1.0-6g 0.100R
DIV46x13-xxP/Sx	1.168	M18X1.0-6g 0.100R
DIV46x15-xxP/Sx	1.293	M22X1.0-6g 0.100R
DIV46x17-xxP/Sx	1.418	M25X1.0-6g 0.100R
DIV46x19-xxP/Sx	1.528	M28X1.0-6g 0.100R
DIV46x21-xxP/Sx	1.654	M31X1.0-6g 0.100R
DIV46x23-xxP/Sx	1.779	M34X1.0-6g 0.100R
DIV46x25-xxP/Sx	1.905	M37X1.0-6g 0.100R

CLOCKING	X° REF	Y° REF
N	110	250
A	100	260
B	90	270
C	80	280
D	70	290
K	120	295



- FOR APPLICABLE KEYING DIAGRAM AND AVAILABLE INSERT ARRANGEMENTS, SEE MIL-DTL-38999 SERIES IV AND MIL-STD-1560.
- GENERAL SPECIFICATION: THIS CONNECTOR MEETS THE PERFORMANCE AND INTERMATEABILITY REQUIREMENTS OF MIL-DTL-38999, SERIES IV.

⚠ MATERIAL/FINISH: SHELL- ALUMINUM ALLOY, NICKEL PLATED.  
 COUPLING RING- ALUM ALLOY.  
 F=NICKEL PLATING. OLIVE DRAB ANODIZED.  
 CONTACTS - COPPER ALLOY, GOLD PLATED.  
 RESILIENT INSERTS - SILICONE ELASTOMER.  
 O'RING - SILICONE ELASTOMER.  
 RIGID INSERTS - HIGH GRADE PLASTIC.

NOTES: UNLESS OTHERWISE SPECIFIED.

THIS DRAWING IS A CONTROLLED DOCUMENT.		DWN S. SOTELO 161007	TE Connectivity	
DIMENSIONS: INCHES		CHK E. ALAWNEH 161007		
TOLERANCES UNLESS OTHERWISE SPECIFIED:		APVD A. TEUNISSEN 161007	NAME PLUG, RFI GROUNDING, BREECH COUPLING, DEUTSCH MIL-DTL-38999 SERIES IV CONNECTOR ENVELOPE	
0 PLC ±-	1 PLC ±.1	PRODUCT SPEC D38999/46	SIZE A2	
2 PLC ±.01	3 PLC ±.0005	APPLICATION SPEC -	CAGE CODE 111138	DRAWING NO. C-DIV46xxx-xxxx
4 PLC ±.0005	ANGLES ±.5°	WEIGHT -	SCALE 1:1	SHEET 1 OF 1
MATERIAL SEE NOTE ⚠	FINISH SEE NOTE ⚠	CUSTOMER DRAWING	REV B	