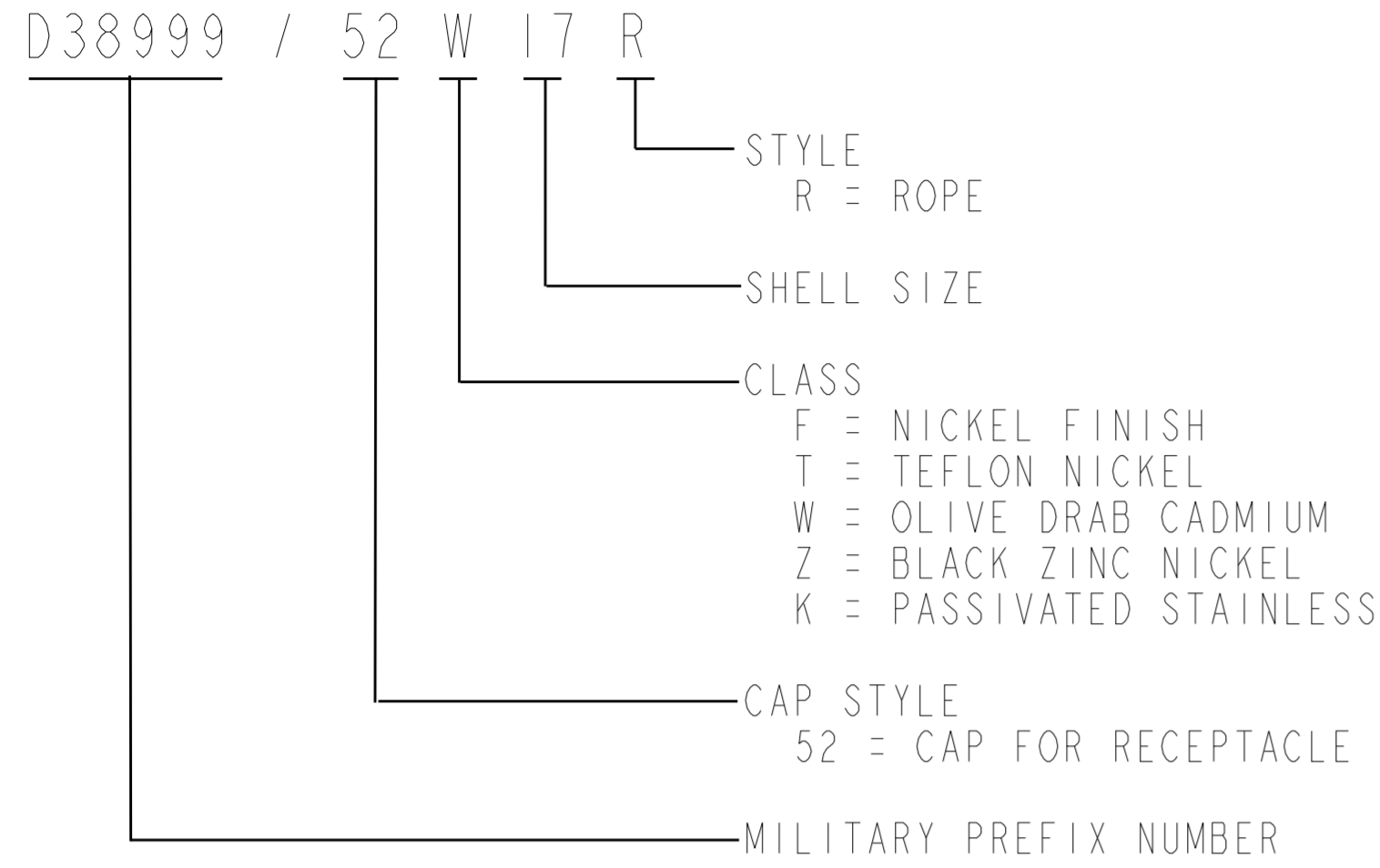


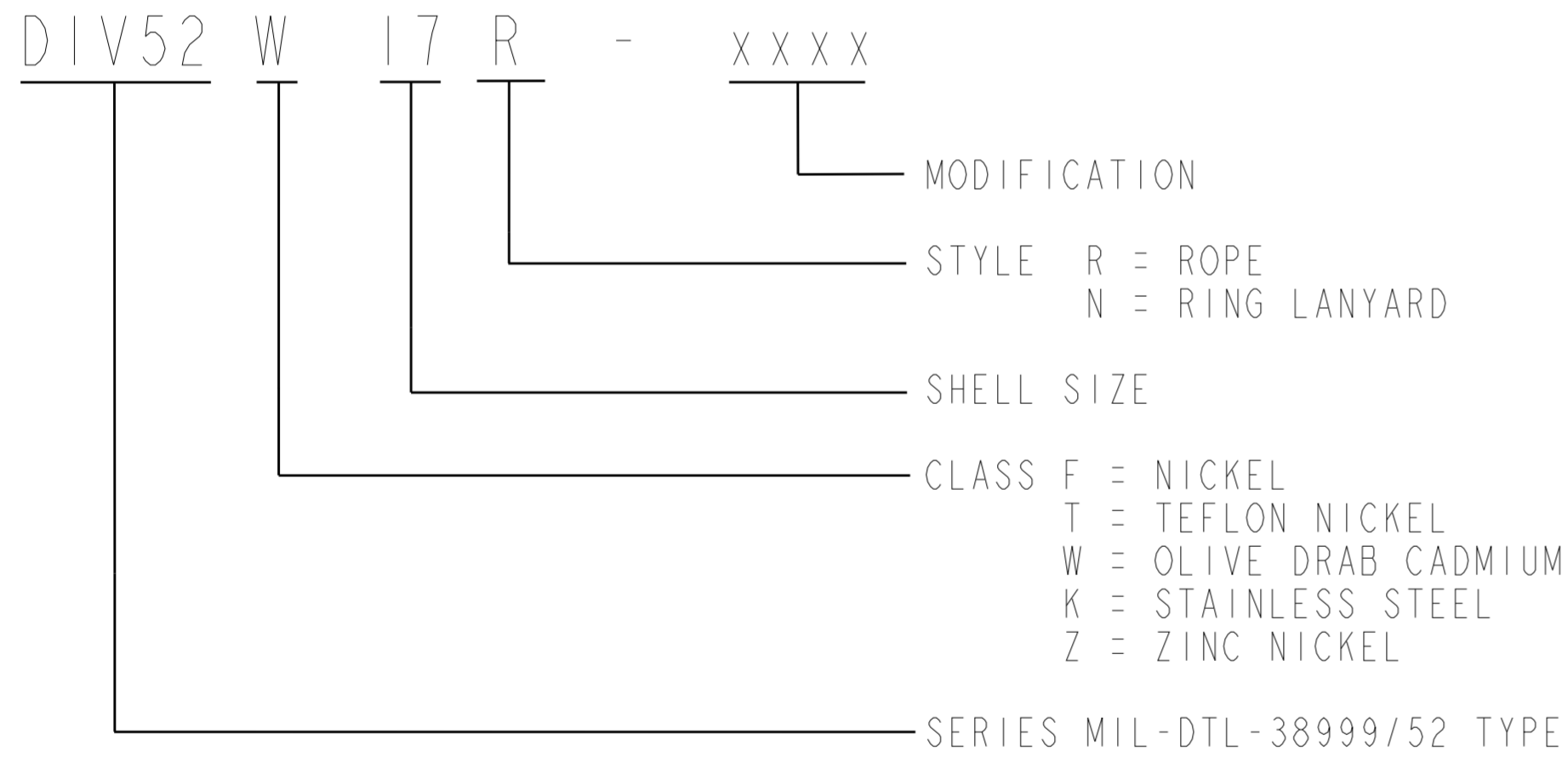
THIS DRAWING IS UNPUBLISHED. RELEASED FOR PUBLICATION 20
 © COPYRIGHT 20 BY - ALL RIGHTS RESERVED.

T.E. PROPRIETARY AND CONFIDENTIAL
 This drawing contains proprietary information that shall not be disclosed, duplicated nor used in whole or in part for any purpose other than to evaluate this drawing.

REVISIONS				
P	LTR	DESCRIPTION	DATE	APVD
A		AS PER ECO-18-011680	25JULY2018	NGP NR
B		REVISED PER ECO-20-003244	23MAR2020	AM AR



MILITARY PART NUMBER BREAKDOWN



DEUTSCH PART NUMBER BREAKDOWN

3. GENERAL SPECIFICATIONS: THIS COVER MEETS THE PERFORMANCE AND INTERMATEABILITY REQUIREMENTS OF MIL-DTL-38999.

- △ MATERIAL/FINISH: CAP - ALUMINUM ALLOY OR STAINLESS STEEL, PLATING PER PART NUMBER EXAMPLE DESCRIPTION.
- RING AND FASTENERS - STAINLESS STEEL, PASSIVATED.
- ROPE - INSULATED STAINLESS STEEL, PASSIVATED.
- POTTING - RTV SILICONE.

1. ALL DIMENSIONS ARE IN INCHES.

PART NUMBER	SHELL SIZE	A DIA MAX	B DIA MAX	C DIA MAX STYLE N	D DIA MIN STYLE N	E REF STYLE N
DIV52x11x	11	.497	1.023	.999	1.201	.838
DIV52x13x	13	.622	1.220	1.205	1.441	.960
DIV52x15x	15	.747	1.299	1.275	1.614	1.055
DIV52x17x	17	.873	1.456	1.579	1.790	1.228
DIV52x19x	19	.997	1.574	1.579	1.790	1.228
DIV52x21x	21	1.122	1.732	1.688	2.031	1.289
DIV52x23x	23	1.247	1.811	1.765	2.177	1.328
DIV52x25x	25	1.372	1.968	1.882	2.177	1.328

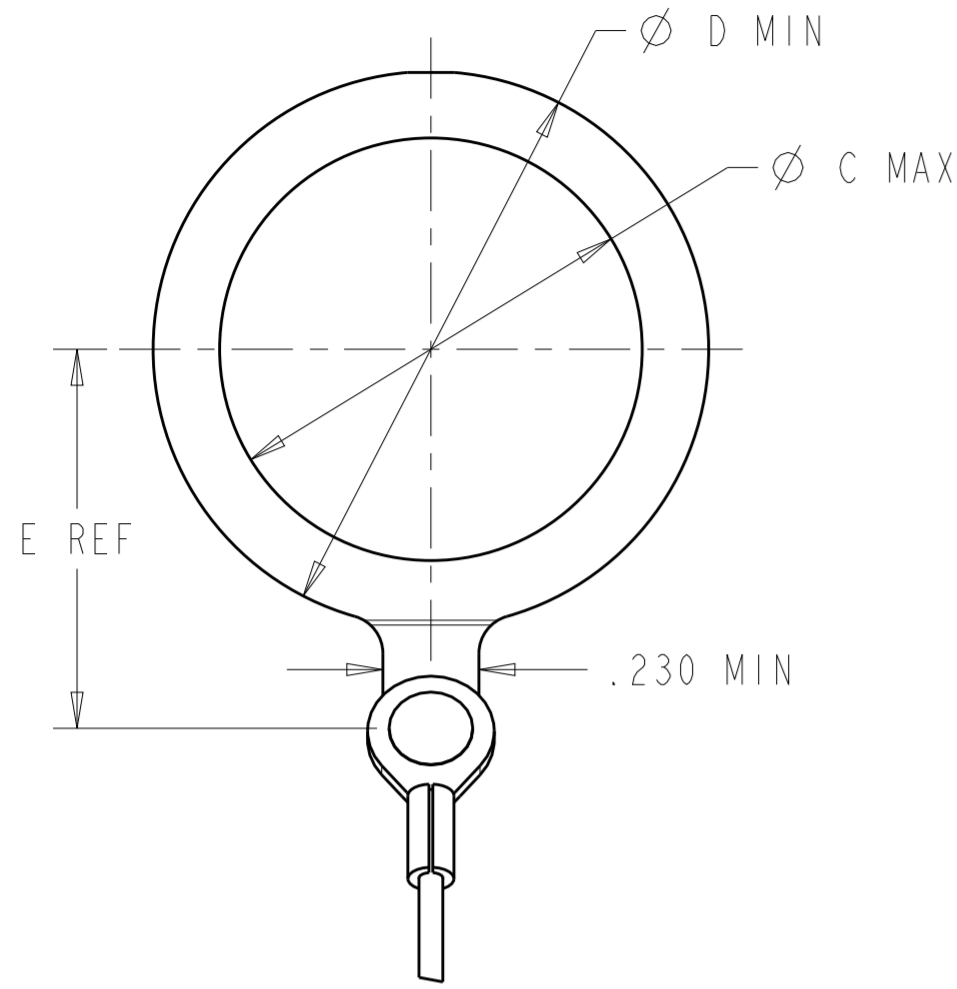
MC: 61 FINISH: xx=DPS #1 APPLIES
 DESCRIPTION: SERIES IV, COVER, RECEPTACLE PROTECTOR MIL-DTL-38999/52 TYPE
 CAGE CODE: 11139

THIS DRAWING IS A CONTROLLED DOCUMENT.		DWN D. BELACK 22MAR2018	TE Connectivity		
DIMENSIONS: INCH		CHK N. RUFFINI 22MAR2018			
TOLERANCES UNLESS OTHERWISE SPECIFIED:		APVD N. RUFFINI 22MAR2018			
		PRODUCT SPEC	NAME RECEPTACLE, PROTECTIVE COVER MIL-DTL-38999/52 TYPE SERIES IV, ENVELOPE DRAWING		
MATERIAL		APPLICATION SPEC	SIZE A2	CAGE CODE 00779	DRAWING NO. C-DIV52xxxx
		WEIGHT	RESTRICTED TO		
CUSTOMER DRAWING		SCALE 2.500	SHEET 1 OF 2	REV B	

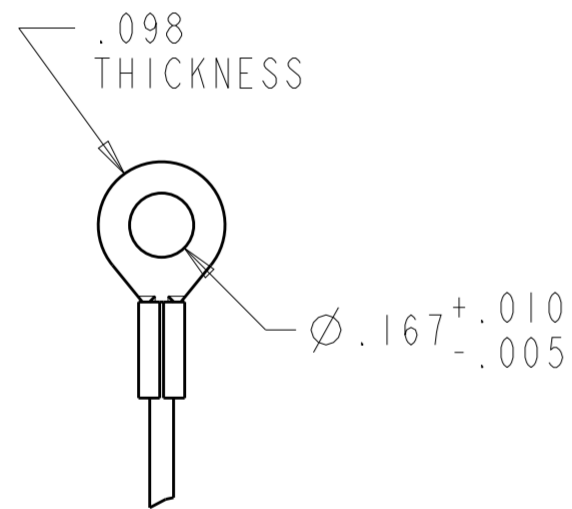
THIS DRAWING IS UNPUBLISHED. RELEASED FOR PUBLICATION 20
 © COPYRIGHT 20 BY - ALL RIGHTS RESERVED.

T.E. PROPRIETARY AND CONFIDENTIAL
 This drawing contains proprietary information that shall not be disclosed, duplicated nor used in whole or in part for any purpose other than to evaluate this drawing.

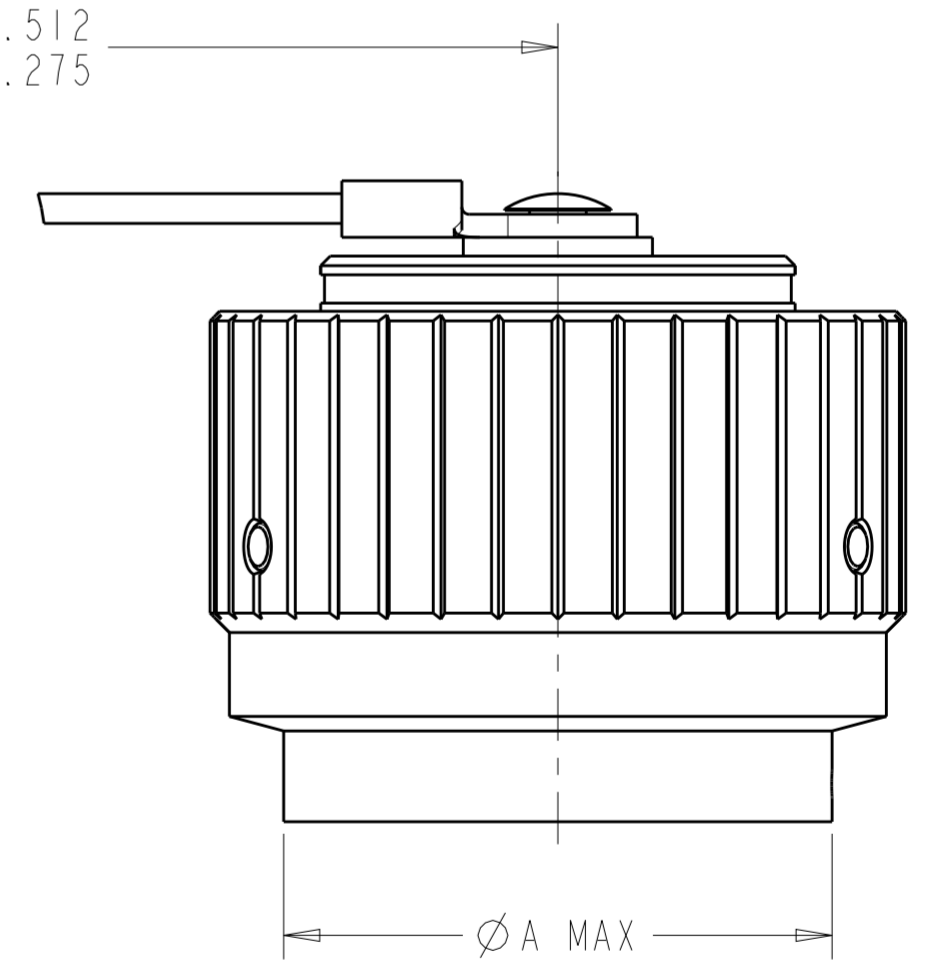
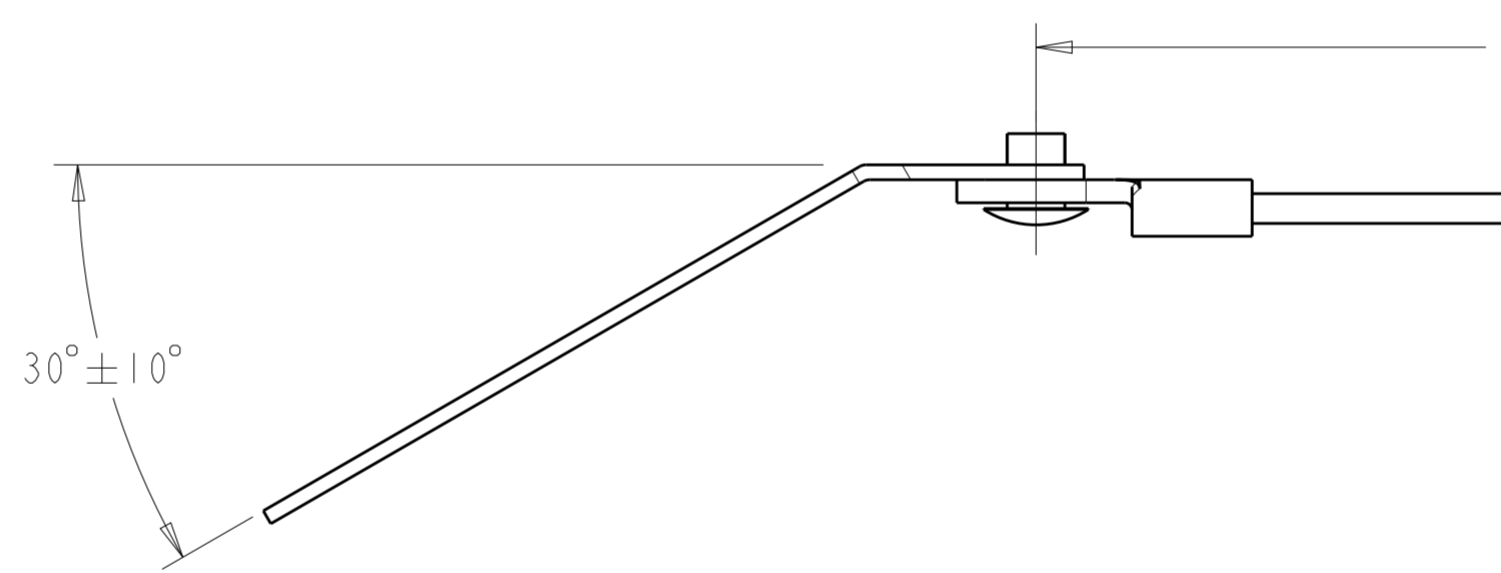
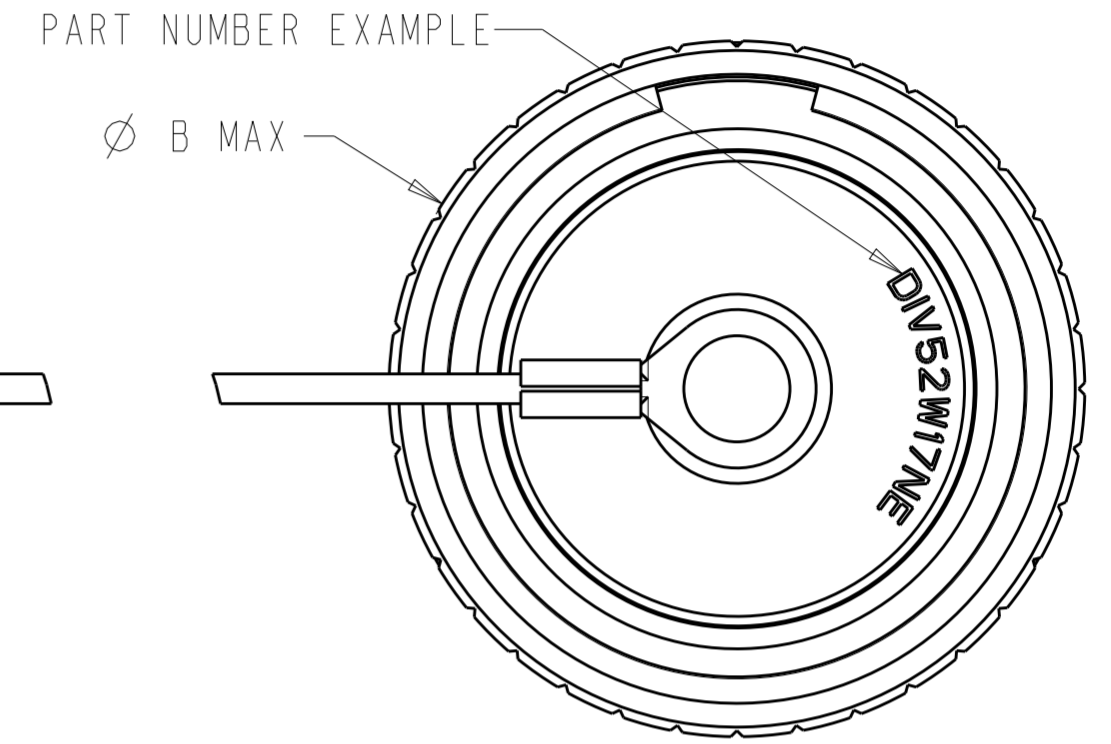
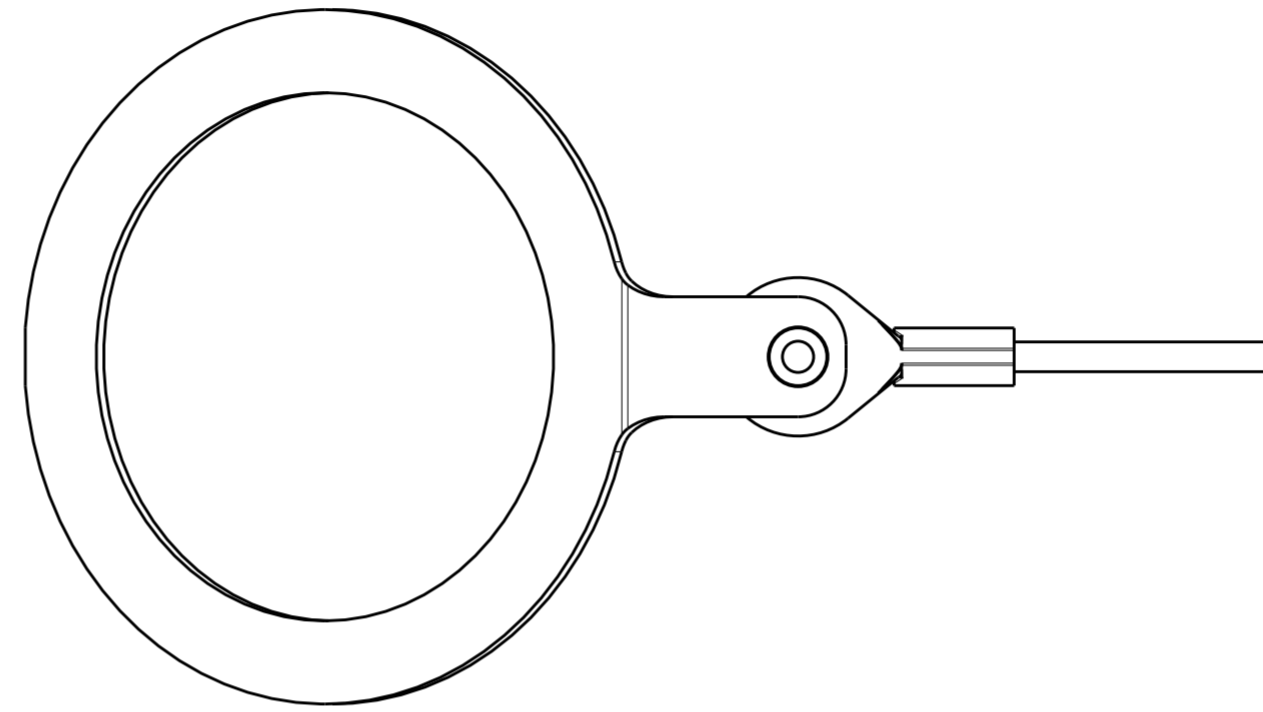
REVISIONS				
P	LTR	DESCRIPTION	DATE	APVD
-		SEE SHEET 1	-	-



STYLE N



STYLE R



THIS DRAWING IS A CONTROLLED DOCUMENT.		DWN CHK SEE SHEET 1	TE Connectivity			
DIMENSIONS: INCH		APVD			NAME RECEPTACLE, PROTECTIVE COVER MIL-DTL-38999/52 TYPE SERIES IV, ENVELOPE DRAWING	
TOLERANCES UNLESS OTHERWISE SPECIFIED: 0 PLC ±- 1 PLC ±.100 2 PLC ±.010 3 PLC ±.005 4 PLC ±.0005 ANGLES ±0.5° FINISH		PRODUCT SPEC	SIZE A2	CAGE CODE 00779	DRAWING NO G-DIV52XXXX	RESTRICTED TO -
MATERIAL		APPLICATION SPEC	SCALE 2.500		SHEET 2 OF 2	REV B
		WEIGHT	CUSTOMER DRAWING			