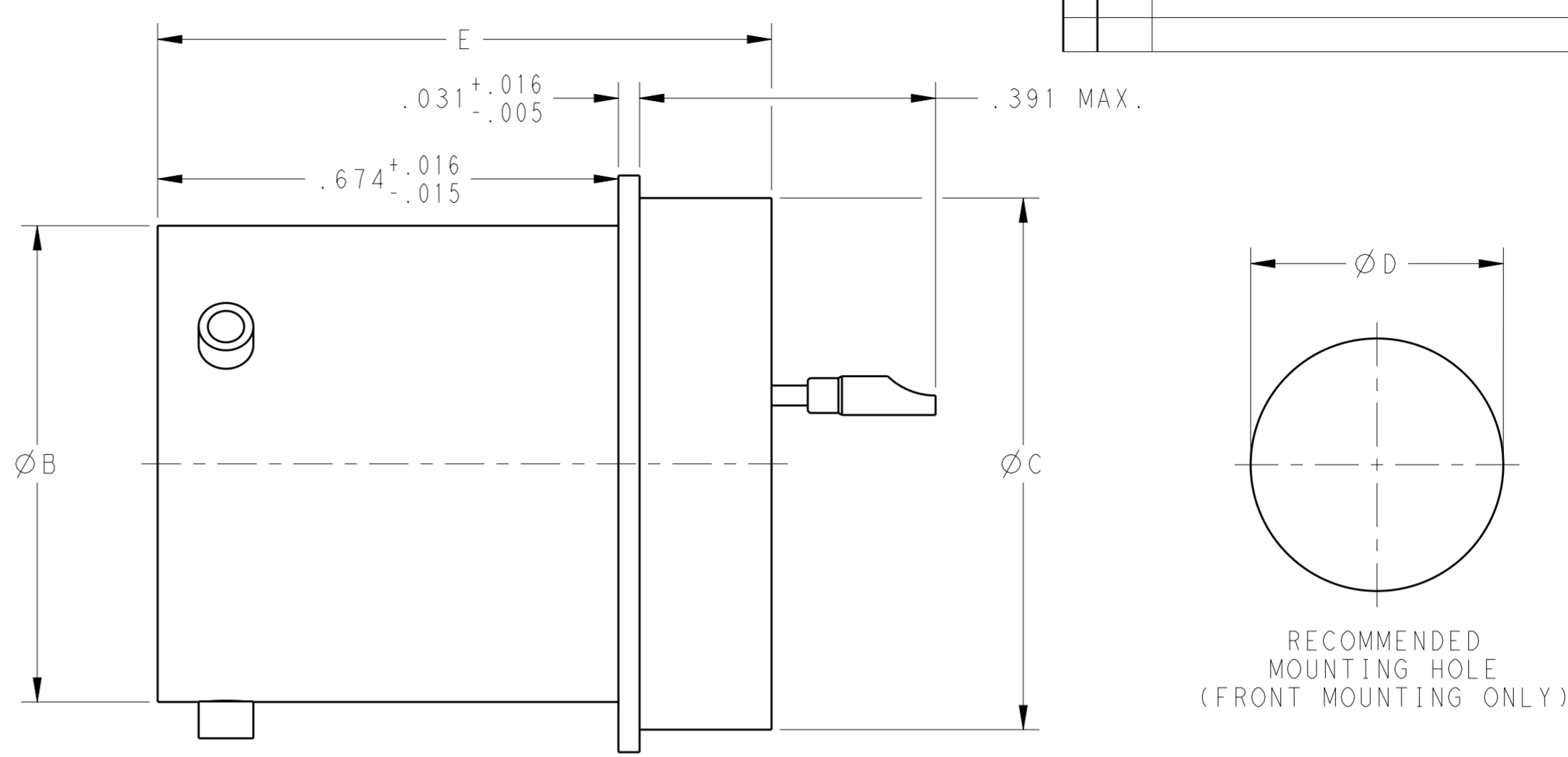
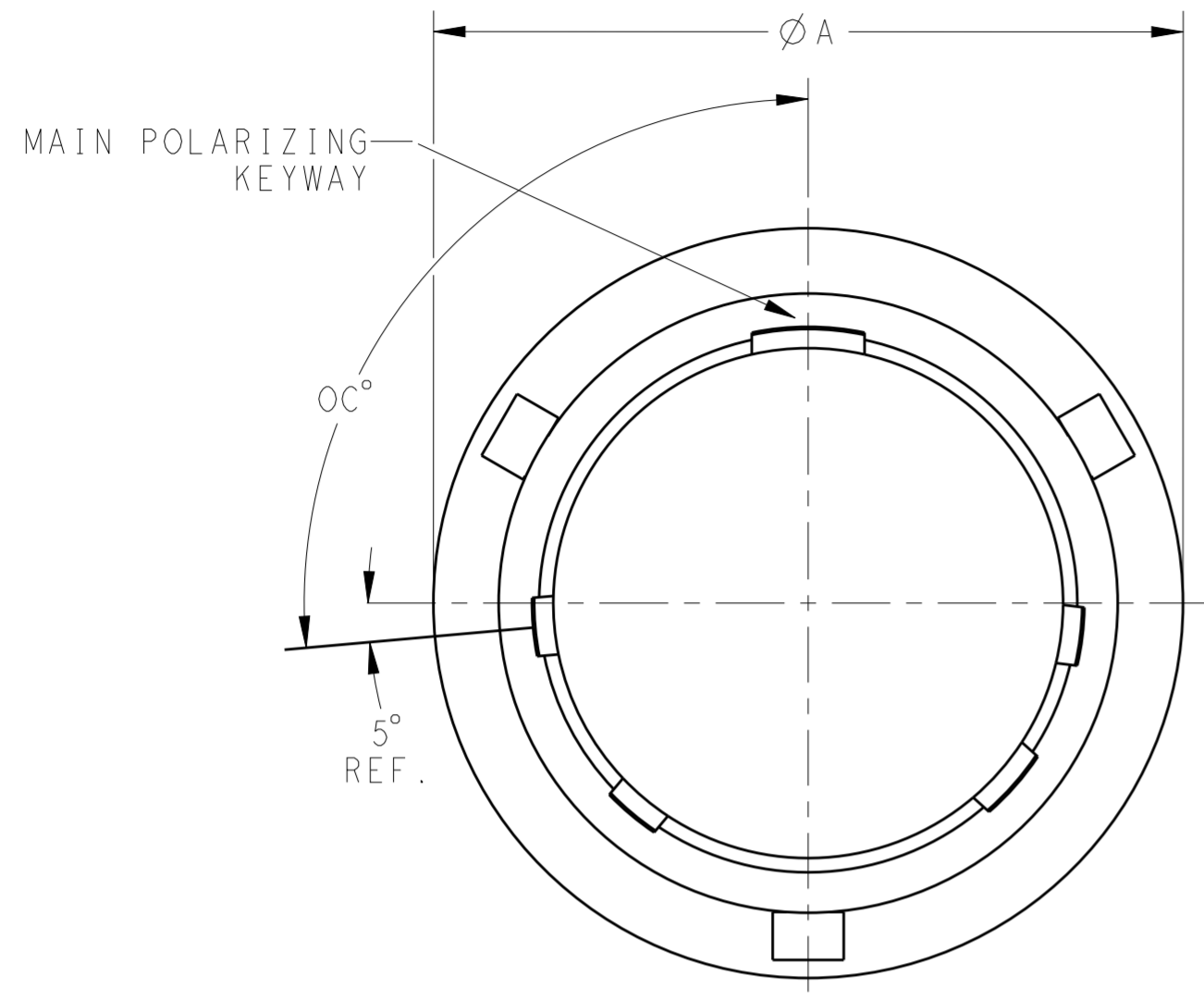


THIS DRAWING IS UNPUBLISHED. RELEASED FOR PUBLICATION 2015
 © COPYRIGHT 2015 BY TE CONNECTIVITY, OCEANSIDE ALL RIGHTS RESERVED.

PROPERTY OF TE CONNECTIVITY
 THIS INFORMATION IS CONFIDENTIAL AND PROPRIETARY TO TYCO ELECTRONICS CORPORATION
 AND ITS WORLDWIDE SUBSIDIARIES AND AFFILIATES (TE). IT MAY NOT BE DISCLOSED TO
 ANYONE, OTHER THAN TE PERSONNEL, WITHOUT AUTHORIZATION FROM TE (www.TE.com).

LOC		DIST		REVISIONS			
P	LTR	DESCRIPTION	DATE	DWN	APVD		
N/C		NEW RELEASE PER E.O. 95713	821201	JG	LS		
A		REVISED PER ECO-15-018011	151215	SS	AT		

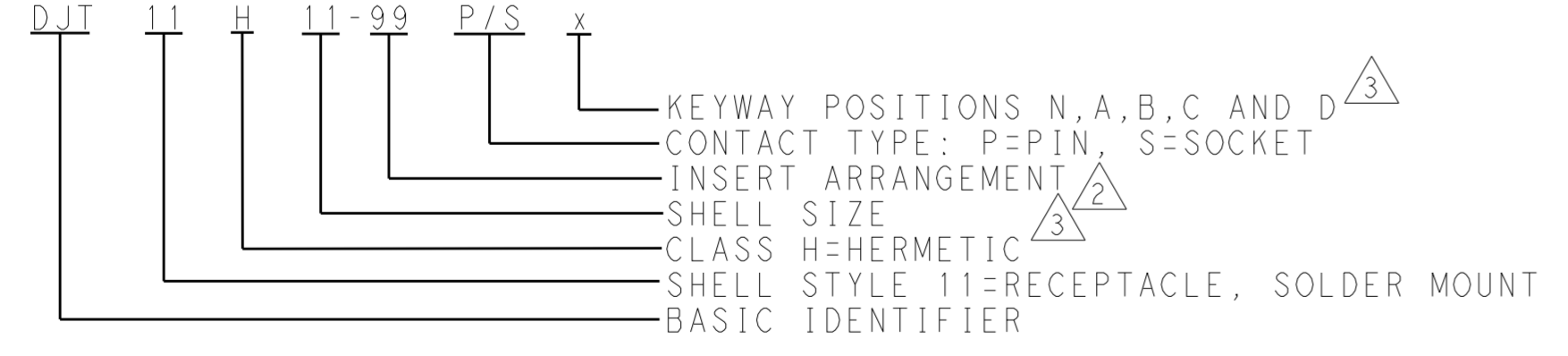


7. MATERIAL:
 SHELL - CARBON STEEL
 CONTACTS - NICKEL IRON ALLOY.
 GLASS - COMPRESSION GLASS.
 SEALS - DEUTSCH FLUID RESISTANT SILICONE ELASTOMER.
 INSERT - RIGID DIELECTRIC PLASTC (SOCKET CONNECTOR).

6. FINISH:
 SHELL-TIN PER MIL-T-10727 OVER NICKEL PER QQ-N-290.
 CONTACTS-GOLD PLATED PER MIL-G-45204, TYPE II, CLASS I OVER NICKEL

5. THIS CONNECTOR WILL INTERMATE WITH APPLICABLE MIL-C-38999 SERIES I TYPE CONNECTORS.

4. PART NUMBER EXAMPLE:



SHELL SIZE	ALTERNATE MASTER KEYWAY POSITION OC°				
	N	A	B	C	D
9	95°	77°	-	-	113°
11	95°	81°	67°	123°	109°
13	95°	75°	63°	127°	115°
15	95°	74°	61°	129°	116°
17	95°	77°	65°	125°	113°
19	95°	77°	65°	125°	113°
21	95°	77°	65°	125°	113°
23	95°	80°	69°	121°	110°
25	95°	80°	69°	121°	110°

SHELL SIZE	PART NUMBER	ØA ±.016	ØB +.001 -.005	ØC +.001 -.005	ØD ±.005	E MAX.
9	DJT11H09-xxP/Sx	.750	.572	.672	.681	.924
11	DJT11H11-xxP/Sx	.844	.700	.781	.790	.924
13	DJT11H13-xxP/Sx	.969	.850	.906	.915	.924
15	DJT11H15-xxP/Sx	1.094	.975	1.031	1.040	.924
17	DJT11H17-xxP/Sx	1.218	1.100	1.156	1.165	.924
19	DJT11H19-xxP/Sx	1.312	1.207	1.250	1.259	.924
21	DJT11H21-xxP/Sx	1.438	1.332	1.375	1.384	.924
23	DJT11H23-xxP/Sx	1.563	1.457	1.500	1.509	.924
25	DJT11H25-xxP/Sx	1.688	1.582	1.625	1.634	.924

3 FOR AVAILABLE SHELL SIZES AND ALTERNATE KEYWAY POSITIONS CONSULT THE FACTORY.

2 FOR INSERT ARRANGEMENT INFORMATION SEE DEUTSCH DRAWING 1225-201-0000.

1. DIMENSIONS ARE INCHES UNLESS OTHERWISE SPECIFIED.

NOTES: UNLESS OTHERWISE SPECIFIED.

THIS DRAWING IS A CONTROLLED DOCUMENT.

DIMENSIONS: INCHES	TOLERANCES UNLESS OTHERWISE SPECIFIED: 0 PLC ±.1 1 PLC ±.01 2 PLC ±.010 3 PLC ±.010 4 PLC ±.0010 ANGLES ±5° FINISH	DWN JIM GRALL 821216 CHK L STOLLE 821216 APVD F P 821208	TE Connectivity RECEPTACLE, CONNECTOR HERMETIC SOLDER MOUNT, BAYONET COUPLING MIL-DTL-38999 SERIES 1, MS27471
MATERIAL: SEE NOTE 7	SEE NOTE 6	PRODUCT SPEC: - APPLICATION SPEC: - WEIGHT: - SCALE: NONE	

Customer Drawing SHEET 1 OF 1 REV A