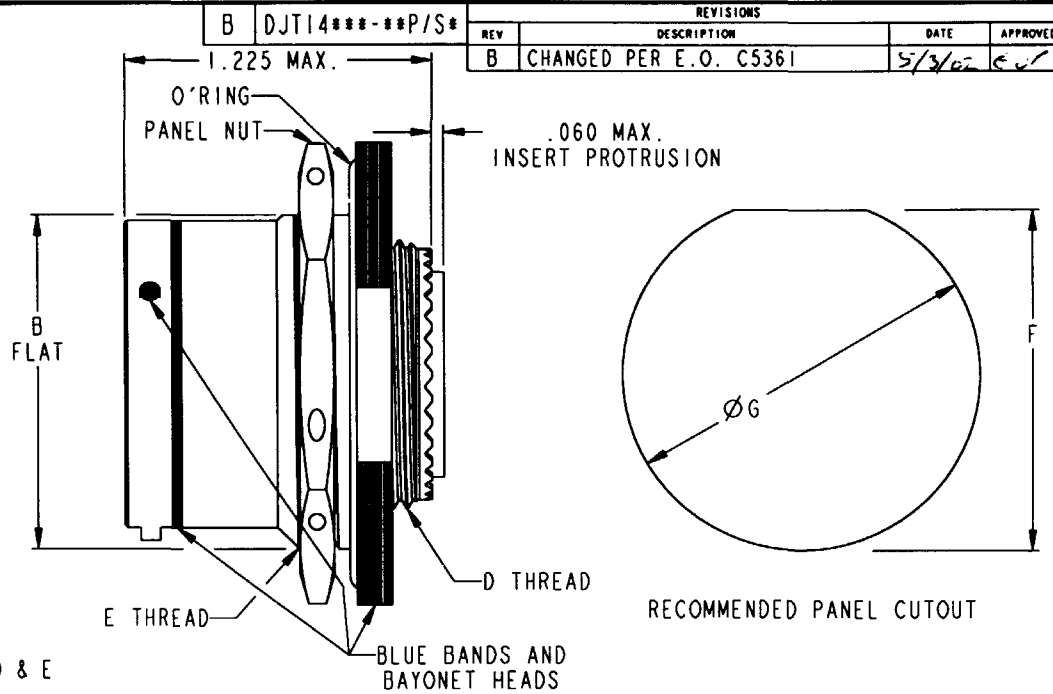
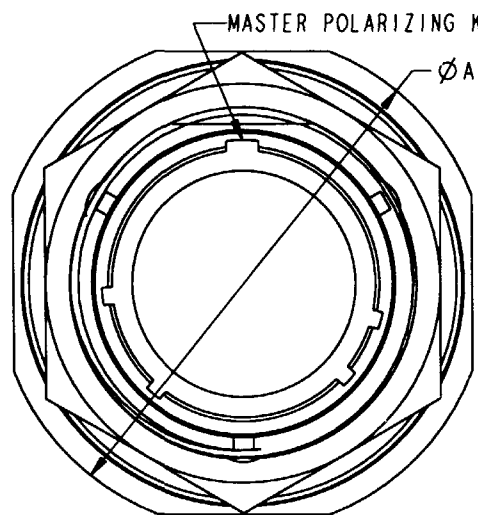


PROPERTY OF DEUTSCH E.C.D.

This drawing contains proprietary information that shall not be disclosed, duplicated, nor used in whole or in part for any purpose other than to evaluate this drawing.



REV	DESCRIPTION	DATE	APPROVED
B	CHANGED PER E.O. C5361	5/2/02	ew

- DJT 14 \* 09-35 P \* -\*\*\*\*
- MODIFICATIONS
  - KEYING POSITION - N, A, B, C, D & E
  - CONTACT - P = PIN, S = SOCKET
  - INSERT ARRANGEMENT
  - SHELL SIZE
  - CLASS - E = OLIVE DRAB CADMIUM  
F = ELECTROLESS NICKEL
  - SHELL STYLE - JAM NUT RECEPTACLE  
MIL-DTL-38999 SERIES I

6. FOR AVAILABILITY CONSULT FACTORY.
5. RECOMMENDED PANEL NUT TORQUE VALUE.
4. FOR APPLICABLE KEYING DIAGRAM, SEE MIL-DTL-38999 FOR INSERT ARRANGEMENTS SEE MIL-STD-1560.
3. GENERAL SPECIFICATION: THIS CONNECTOR MEETS THE PERFORMANCE AND INTERMATEABILITY REQUIREMENTS OF MIL-DTL-38999, SERIES I.
2. MATERIAL/FINISH: SHELL AND PANEL NUT - ALUMINUM ALLOY,  
E=OLIVE DRAB CADMIUM PLATING.  
F=NICKEL PLATING.  
CONTACTS - COPPER ALLOY, GOLD PLATED.  
RESILIENT INSERTS - SILICONE ELASTOMER.  
PLASTIC INSERTS - THERMOPLASTIC.  
O-RING - SILICONE ELASTOMER.
1. ALL DIMENSIONS ARE IN INCHES UNLESS OTHERWISE SPECIFIED.

PART NUMBER	SIZE	ØA ±.016	B FLAT +.000 -.010	D THREAD UNEF-2A	E THREAD UNEF-2A	F+.000 -.010	ØG+.010 -.000	INCH LBS.
DJT14*09-**P/S*	09	1.188	.655	.4375-28	.6875-24	.670	.700	30/36
DJT14*11-**P/S*	11	1.375	.755	.5625-24	.8125-20	.771	.825	40/46
DJT14*13-**P/S*	13	1.500	.942	.6875-24	1.0000-20	.955	1.010	55/60
DJT14*15-**P/S*	15	1.625	1.066	.8125-20	1.1250-18	1.085	1.135	70/75
DJT14*17-**P/S*	17	1.750	1.191	.9375-20	1.2500-18	1.210	1.260	80/85
DJT14*19-**P/S*	19	1.938	1.316	1.0625-18	1.3750-18	1.335	1.385	90/95
DJT14*21-**P/S*	21	2.062	1.441	1.1875-18	1.5000-18	1.460	1.510	100/110
DJT14*23-**P/S*	23	2.188	1.566	1.3125-18	1.6250-18	1.585	1.635	110/120
DJT14*25-**P/S*	25	2.312	1.691	1.4375-18	1.7500-18	1.710	1.760	120/130

SIGNATURE & DATE		CONNECTOR, RECEPTACLE CP		MIL CODE	
DR	E.CARANDANG 7/6/98	JAM NUT MOUNTING		DEUTSCH	
CHK	M.KETCHAM 7/8/98	BAYONET COUPLING		ENGINEERED CONNECTING DEVICES	
PC	E.CARANDANG 7/6/98	MIL-DTL 38999, SERIES I		5733 W. Whittier Ave.	
APPD	ew 5/2/02	DJT SERIES		Hemet, California	
SCALE	NONE	ENVELOPE		A DJT14***-**P/S*	
				CODE 11139 SHEET 1 OF 1	