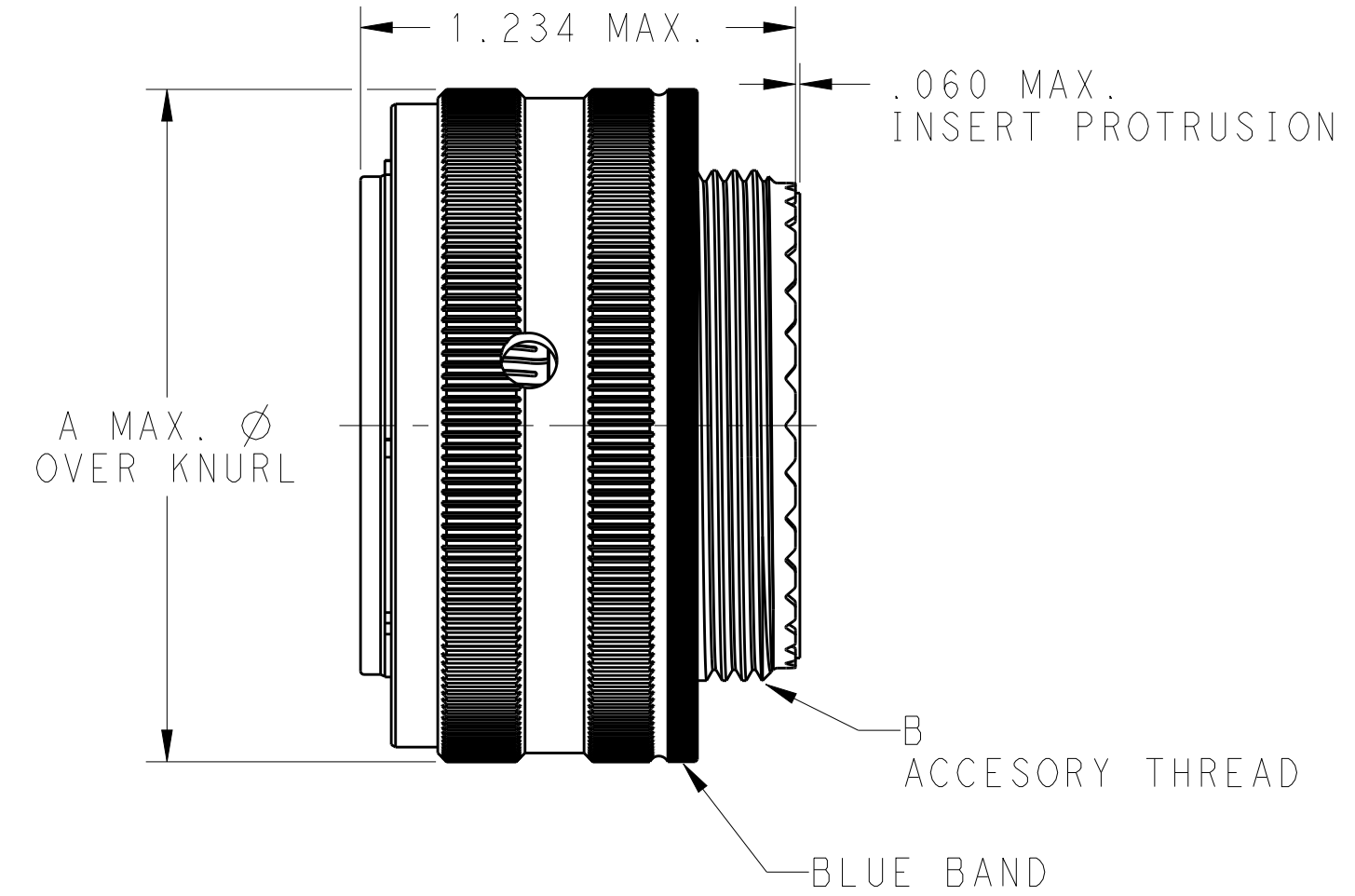
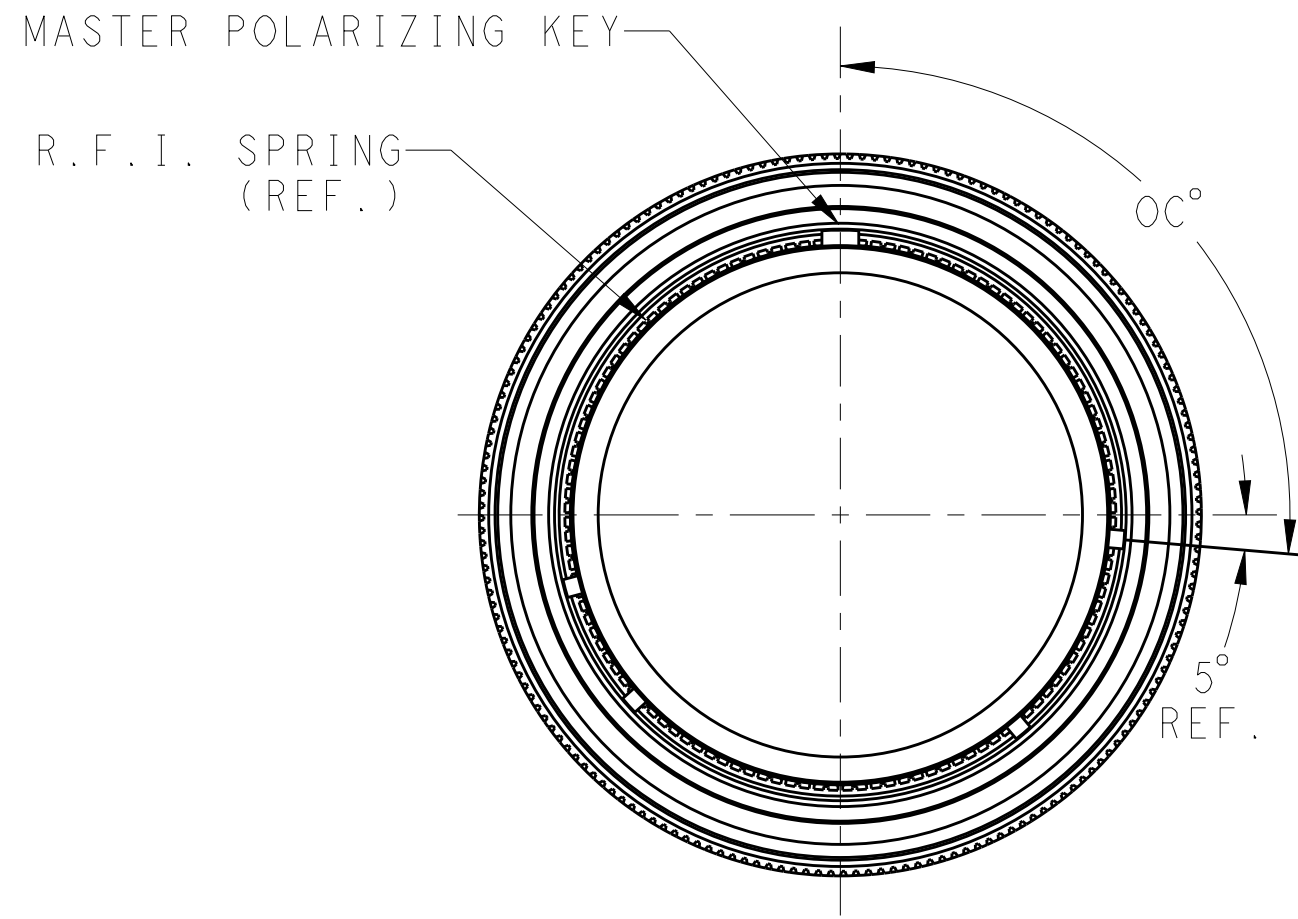


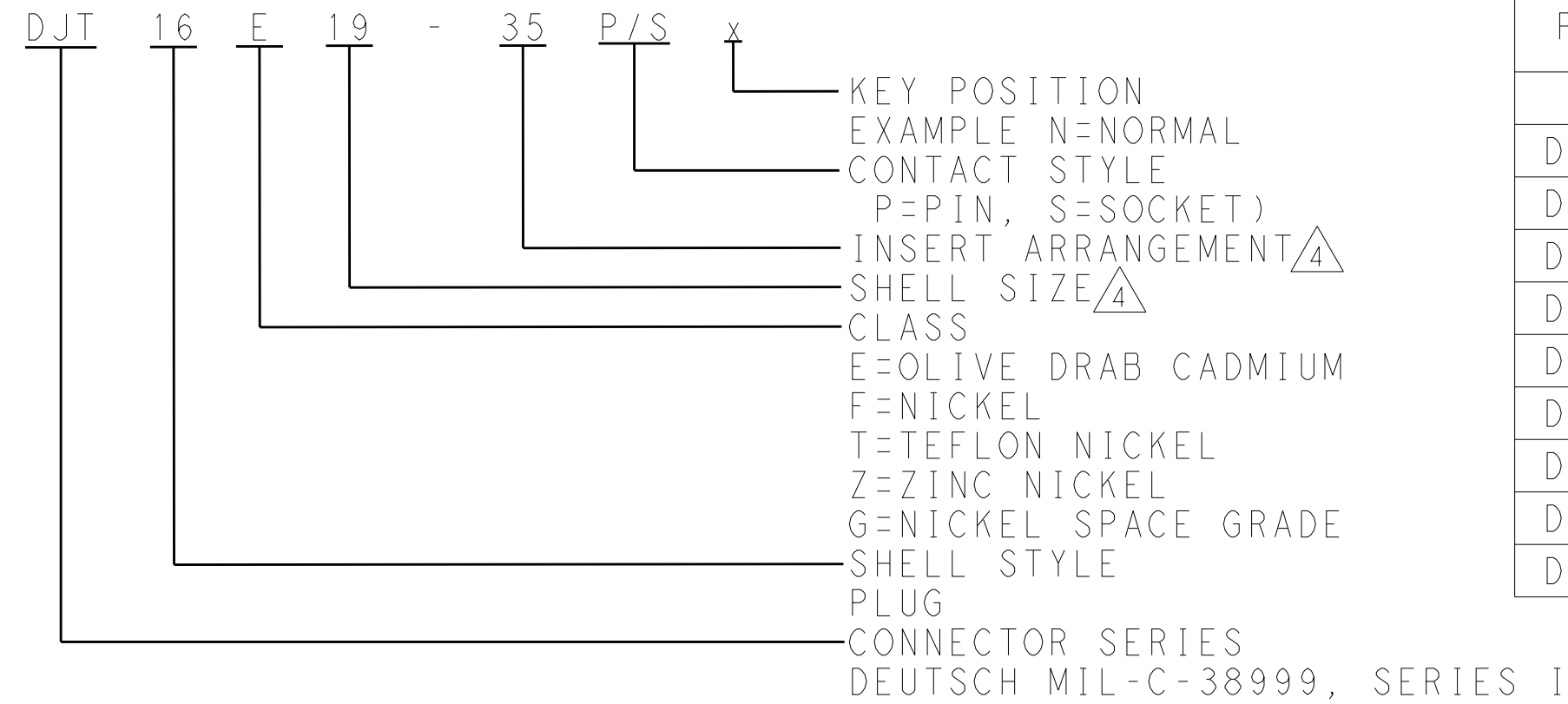
THIS DRAWING IS UNPUBLISHED. RELEASED FOR PUBLICATION 20  
 © COPYRIGHT 20 BY - ALL RIGHTS RESERVED.

PROPERTY OF TE CONNECTIVITY  
 THIS INFORMATION IS CONFIDENTIAL AND PROPRIETARY TO TYCO ELECTRONICS CORPORATION  
 AND ITS WORLDWIDE SUBSIDIARIES AND AFFILIATES (TE). IT MAY NOT BE DISCLOSED TO  
 ANYONE, OTHER THAN TE PERSONNEL, WITHOUT AUTHORIZATION FROM TE (www.TE.com).

| LOC |     | DIST                |        | REVISIONS |      |  |  |
|-----|-----|---------------------|--------|-----------|------|--|--|
| P   | LTR | DESCRIPTION         | DATE   | DWN       | APVD |  |  |
| 1   |     | PRELIMINARY RELEASE | 160125 | SS        | EA   |  |  |
|     |     |                     |        |           |      |  |  |
|     |     |                     |        |           |      |  |  |



EXAMPLE OF PART NUMBER:



| PART NUMBER xx  | SHELL SIZE | A Ø MAX. | B THREAD UNEF-2A | ALTERNATE MASTERKEY POSITION 0C° |     |     |      |      |
|-----------------|------------|----------|------------------|----------------------------------|-----|-----|------|------|
|                 |            |          |                  | N                                | A   | B   | C    | D    |
| DJT16x09-xxP/Sx | 09         | .859     | .4375-28         | 95°                              | 77° |     |      | 113° |
| DJT16x11-xxP/Sx | 11         | .984     | .5625-24         | 95°                              | 81° | 67° | 123° | 109° |
| DJT16x13-xxP/Sx | 13         | 1.156    | .6875-24         | 95°                              | 75° | 63° | 127° | 115° |
| DJT16x15-xxP/Sx | 15         | 1.281    | .8125-20         | 95°                              | 74° | 61° | 129° | 116° |
| DJT16x17-xxP/Sx | 17         | 1.406    | .9375-20         | 95°                              | 77° | 65° | 125° | 113° |
| DJT16x19-xxP/Sx | 19         | 1.516    | 1.0625-18        | 95°                              | 77° | 65° | 125° | 113° |
| DJT16x21-xxP/Sx | 21         | 1.641    | 1.1875-18        | 95°                              | 77° | 65° | 125° | 113° |
| DJT16x23-xxP/Sx | 23         | 1.766    | 1.3125-18        | 95°                              | 80° | 69° | 121° | 110° |
| DJT16x25-xxP/Sx | 25         | 1.891    | 1.4375-18        | 95°                              | 80° | 69° | 121° | 110° |

<sup>4</sup> FOR APPLICABLE KEYING DIAGRAM AND AVAILABLE INSERT ARRANGEMENTS SEE MIL-C-38999 SERIES I AND MIL-STD-1560.

3. GENERAL SPECIFICATIONS: THIS CONNECTOR MEETS THE PERFORMANCE AND INTERMATEABILITY REQUIREMENTS OF MIL-C-38999, SERIES I.

2. MATERIAL/FINISH:  
 SHELL AND COUPLING RING: ALUMINUM ALLOY, SEE ABOVE.  
 CONTACTS: COOPER ALLOY, GOLD PLATED.  
 RESILIENT INSERTS: SILICONE ELASTOMER  
 PLASTIC INSERT: RIGID DIELECTRIC PLASTIC.

1. ALL DIMENSIONS ARE IN INCHES UNLESS OTHERWISE SPECIFIED.

NOTES: UNLESS OTHERWISE SPECIFIED.

THIS DRAWING IS A CONTROLLED DOCUMENT. DWN: SAMUEL S. 160126  
 CHK: [Signature]

**PRELIMINARY** **STE** TE Connectivity

NAME: PLUG BAYONET COUPLING CONNECTOR  
 CRIMP TYPE CONTACTS  
 MIL-C-38999 SERIES I - ENVELOPE

DIMENSIONS: INCHES TOLERANCES UNLESS OTHERWISE SPECIFIED:  
 0 PLC ±.1  
 1 PLC ±.01  
 2 PLC ±.005  
 3 PLC ±.0005  
 4 PLC ANGLES ±.5°

PRODUCT SPEC: -  
 APPLICATION SPEC: -  
 WEIGHT: -

MATERIAL: -

SIZE: A2 CAGE CODE: - DRAWING NO: G-DJT16xxx-xxP/Sx RESTRICTED TO: -  
 SCALE: NONE SHEET 1 OF 1 REV 1

CUSTOMER DRAWING