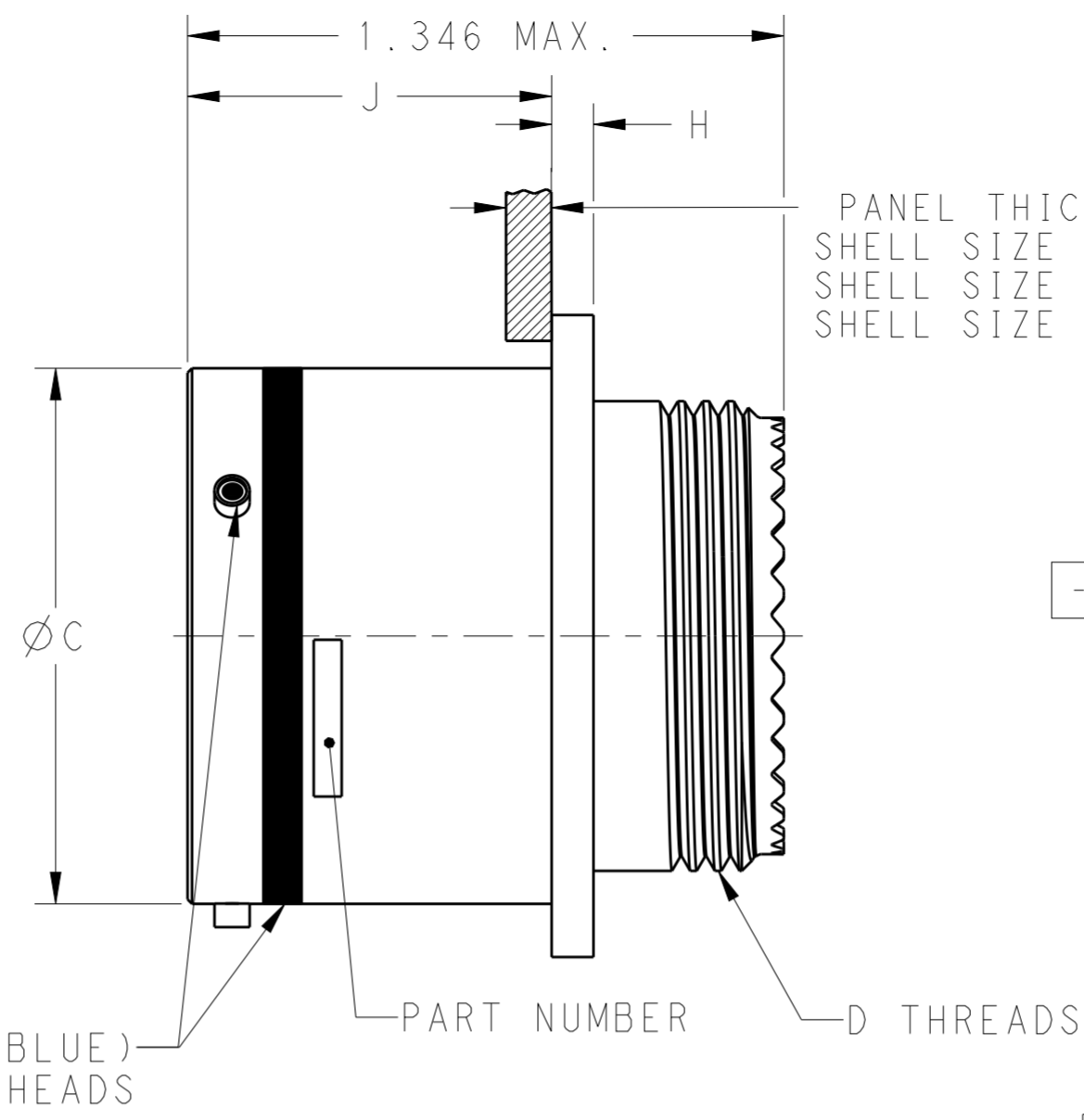
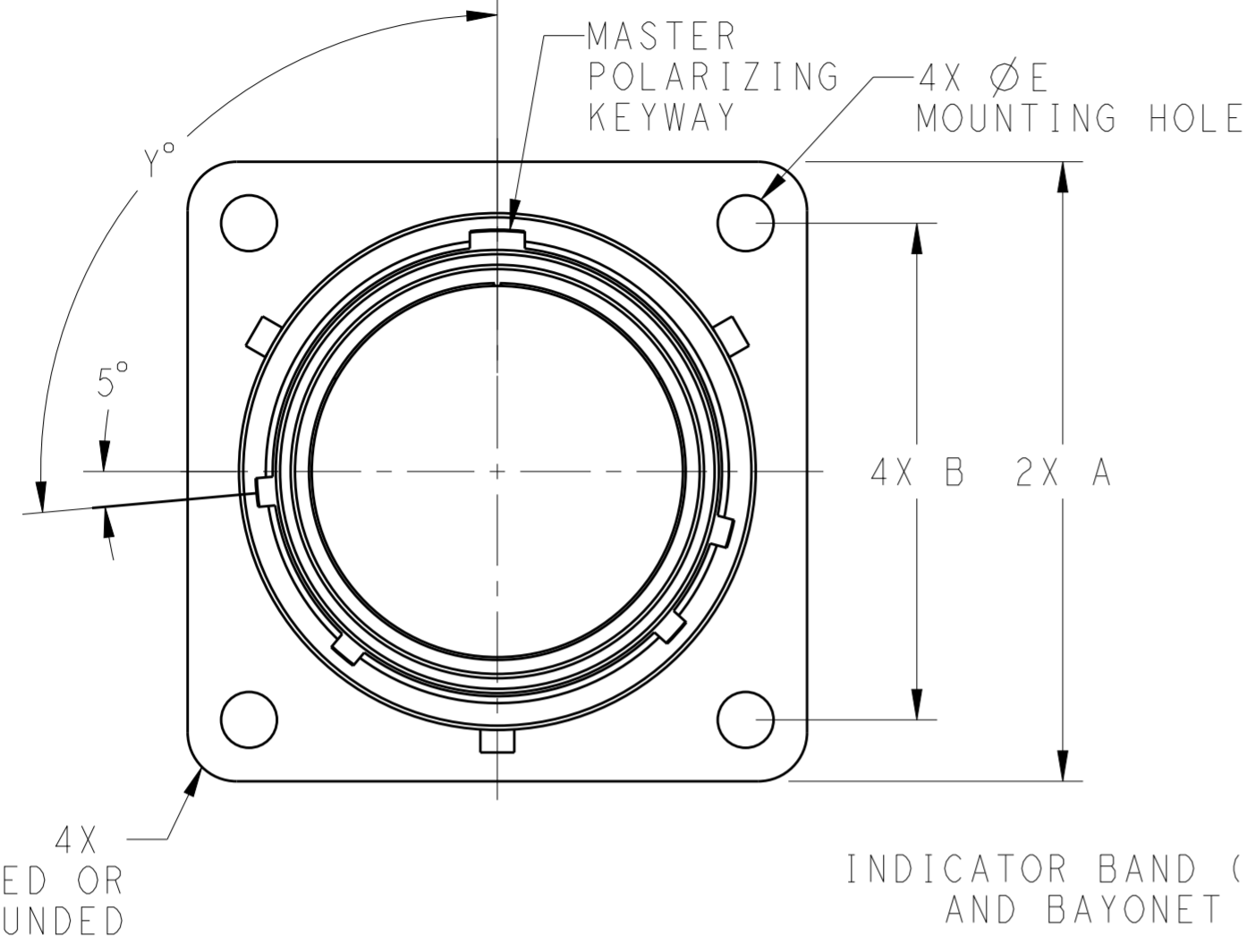


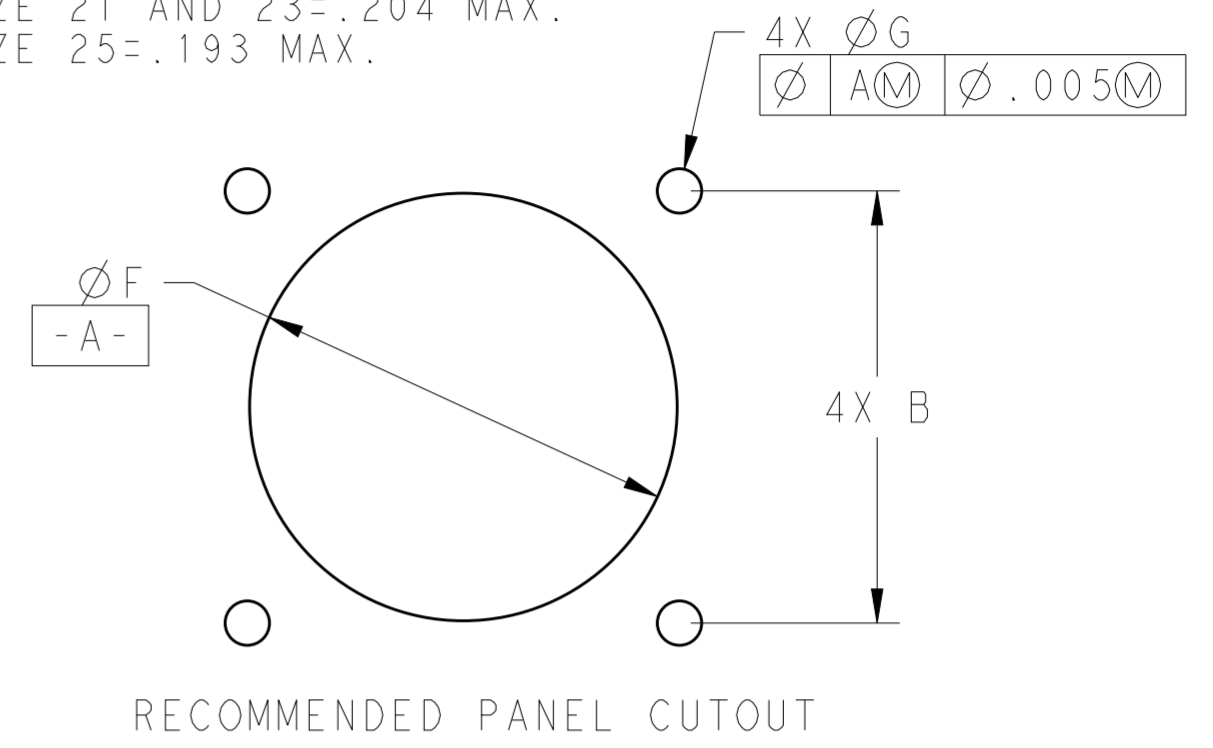
THIS DRAWING IS UNPUBLISHED. RELEASED FOR PUBLICATION 170209
 © COPYRIGHT 170209 BY TYCO ELECTRONICS ALL RIGHTS RESERVED.

PROPERTY OF TE CONNECTIVITY
 THIS INFORMATION IS CONFIDENTIAL AND PROPRIETARY TO TYCO ELECTRONICS CORPORATION
 AND ITS WORLDWIDE SUBSIDIARIES AND AFFILIATES (TE). IT MAY NOT BE DISCLOSED TO
 ANYONE, OTHER THAN TE PERSONNEL, WITHOUT AUTHORIZATION FROM TE (www.TE.com).

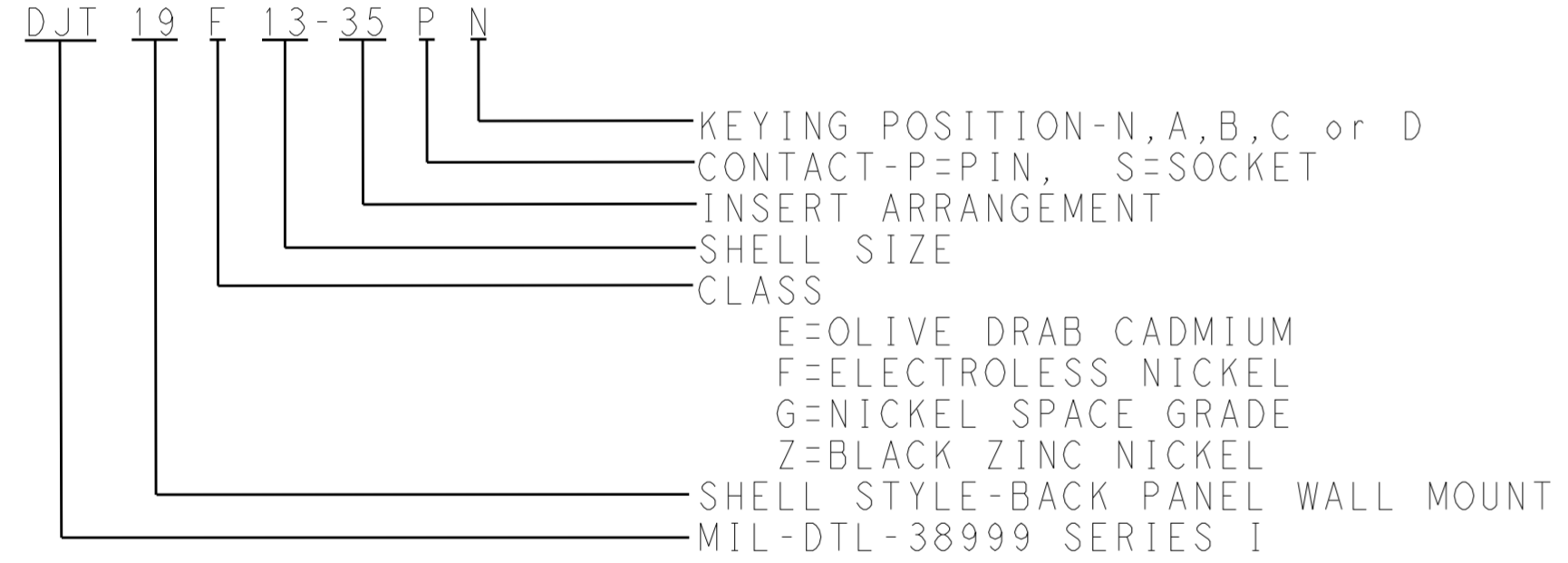
LOC		DIST		REVISIONS			
P	LTR	DESCRIPTION	DATE	DWN	APVD		
1		PRELIMINARY RELEASE	170315	SS	AR		
2		BALCK ZINC NICKEL ADDED	171023	SS	MG		



PANEL THICKNESS
 SHELL SIZE 9~19=.234 MAX.
 SHELL SIZE 21 AND 23=.204 MAX.
 SHELL SIZE 25=.193 MAX.



EXAMPLE OF PART NUMBER:



SHELL SIZE	KEYING POSITION Y°				
	N°	A°	B°	C°	D°
09	95	77	-	-	113
11	95	81	67	123	109
13	95	75	63	127	115
15	95	74	61	129	116
17	95	77	65	125	113
19	95	77	65	125	113
21	95	77	65	125	113
23	95	80	69	121	110
25	95	80	69	121	110

PART NUMBER xx	SHELL SIZE	A ±.020	B ±.005	C ±.003	D THREAD UNEF-2A	ØE +.010 -.005	ØF MIN.	ØG ±.005	H +.015 .000	J .000 -.005
DJT19x09-xxP/Sx	09	.938	.719	.570	.4375-28	.128	.656	.128	.085	.820
DJT19x11-xxP/Sx	11	1.031	.812	.698	.5625-24	.128	.796	.128	.085	.820
DJT19x13-xxP/Sx	13	1.125	.906	.848	.6875-24	.128	.922	.128	.085	.820
DJT19x15-xxP/Sx	15	1.219	.969	.973	.8125-20	.128	1.047	.128	.085	.820
DJT19x17-xxP/Sx	17	1.312	1.062	1.098	.9375-20	.128	1.219	.128	.085	.820
DJT19x19-xxP/Sx	19	1.438	1.156	1.205	1.0625-18	.128	1.297	.128	.085	.820
DJT19x21-xxP/Sx	21	1.562	1.250	1.330	1.1875-18	.128	1.422	.128	.115	.790
DJT19x23-xxP/Sx	23	1.688	1.375	1.455	1.3125-18	.147	1.547	.154	.115	.790
DJT19x25-xxP/Sx	25	1.812	1.500	1.580	1.4375-18	.147	1.672	.150	.115	.790

- FOR AVAILABILITY CONSULT FACTORY.
 - FOR APPLICABLE KEYING DIAGRAM, SEE MIL-DTL-38999 FOR INSERT ARRANGEMENTS SEE MIL-STD-1560.
 - GENERAL SPECIFICATIONS: THIS CONNECTOR MEETS THE PERFORMANCE AND INTERMATEABILITY REQUIREMENTS OF MIL-DTL-38999, SERIES I.
 - MATERIAL/FINISH: SHELL=ALUMINUM ALLOY
 E=OLIVE DRAB CADMIUM
 F=ELECTROLESS NICKEL
 G=NICKEL SPACE GRADE
 Z=BLACK ZINC NICKEL
 CONTACTS-COPPER ALLOY / GOLD PLATED
 RESILIENT INSERTS - SILICONE ELASTOMER
 PLASTIC INSERTS - THERMOPLASTIC
 - ALL DIMENSIONS ARE IN INCHES.
- NOTES: UNLESS OTHERWISE SPECIFIED.

THIS DRAWING IS A CONTROLLED DOCUMENT.

DIMENSIONS: INCHES

TOLERANCES UNLESS OTHERWISE SPECIFIED:
 0 PLC ±.
 1 PLC ±.1
 2 PLC ±.01
 3 PLC ±.005
 4 PLC ±.0005
 ANGLES ±.5°
 FINISH

MATERIAL

DWN SAMUEL S. 170315
 CHK MIGUEL GARCIA 170315
 APVD ALEX RENGIFO 170315

NAME: RECEPACLE BACK PANEL WALL MOUNT, BAYONET COUPLING MIL-DTL-38999, SERIES I ENVELOPE

PRODUCT SPEC: -
 APPLICATION SPEC: -
 WEIGHT: -

SIZE: A2
 CAGE CODE: 11139
 DRAWING NO: C-DJT19xxx-xxP/Sx

RESTRICTED TO: -

CUSTOMER DRAWING SCALE: 2:1 SHEET 1 OF 1 REV 2