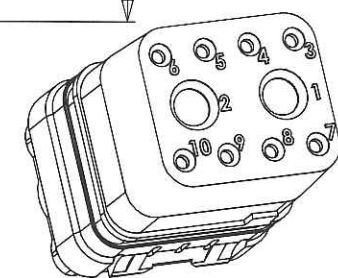
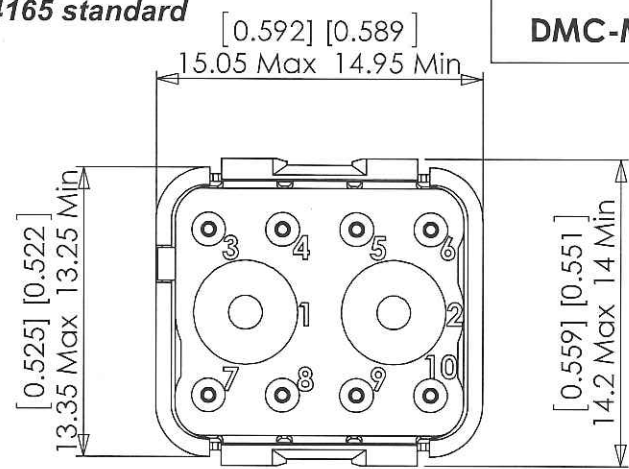
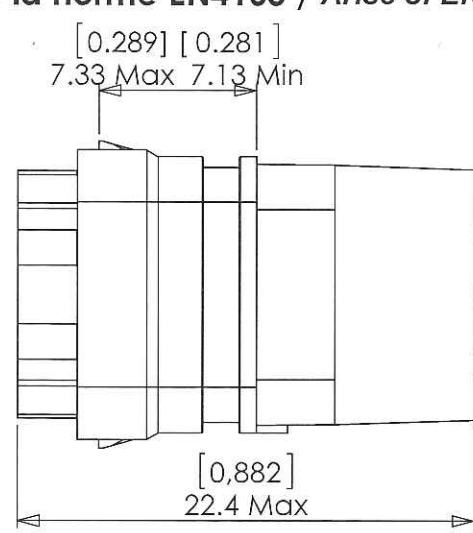
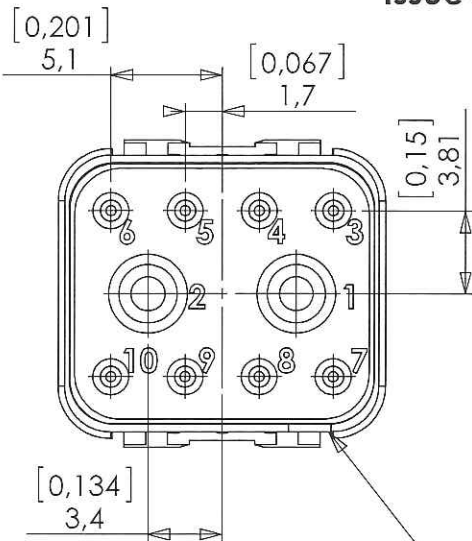


Issue de la norme EN4165 / Arise of EN4165 standard

DMC-M 99-06 BX

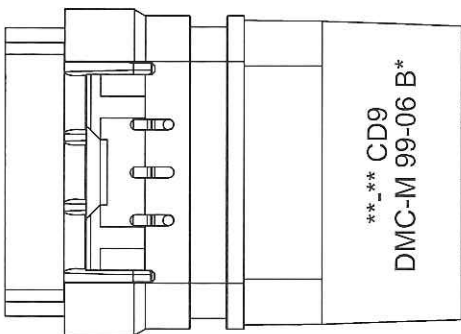
EX



X: Codage N, A, B, C & D
X: Keying N, A, B, C & D

CARACTERISTIQUES:

- Température d'utilisation: -55°C à +175°C
- Matériaux: Thermoplastique, silicone fluoré
- Masse: 3,35g Maxi
- Dimensions: Millimètres [pouces]
- Contacts:
 - Femelles #22 - MIL-C 39029/57-354
 - Femelles #12 - MIL-C 39029/57-359
- Outils insertion/extraction contact:
 - #22 - M 81969/14-01
 - #12 - M 15570-12



CHARACTERISTICS:

- Operating temperature range:
 - From -55°C to +175°C
- Materials: Thermoplastic and fluorosilicone
- Weight: 3,35g Maxi
- Dimensions: Millimeters [inches]
- Contacts:
 - Female #22 - MIL-C 39029/57-354
 - Female #12 - MIL-C 39029/57-359
- Insertion/extraction tool fo contact:
 - #22 - M 81969/14-01
 - #12 - M 15570-12

Module livré sans contacts / Module delivered without contacts

b	28-10-2013	Cavity #12 New design	SERIE DMC-M	DATE 13-08-2013	VISA Creation Created <i>[Signature]</i>	VISA Approbation Approval <i>[Signature]</i>
Revision	Date	Observations	DESIGNATION	REF :	DMC-M 99-06 BX	
			Module Femelle HYBRIDE 8#22 - 2#12 Hybride Female Module 8#22 - 2#12	P/N:		
ORIGINE : -						



Connecteurs Electriques Deutsch
17, rue LAVOISIER - BP 117 - 27091 EVREUX CEDEX 09 - FRANCE

**FICHE TECHNIQUE
TECHNICAL DATA SHEET**

204-19-B/F00