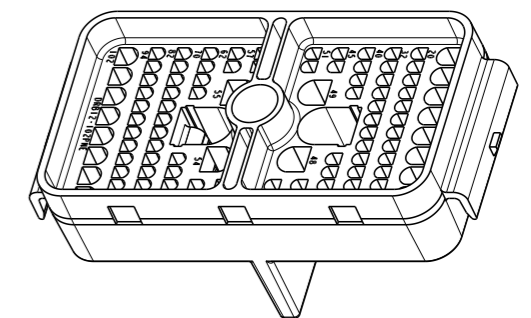
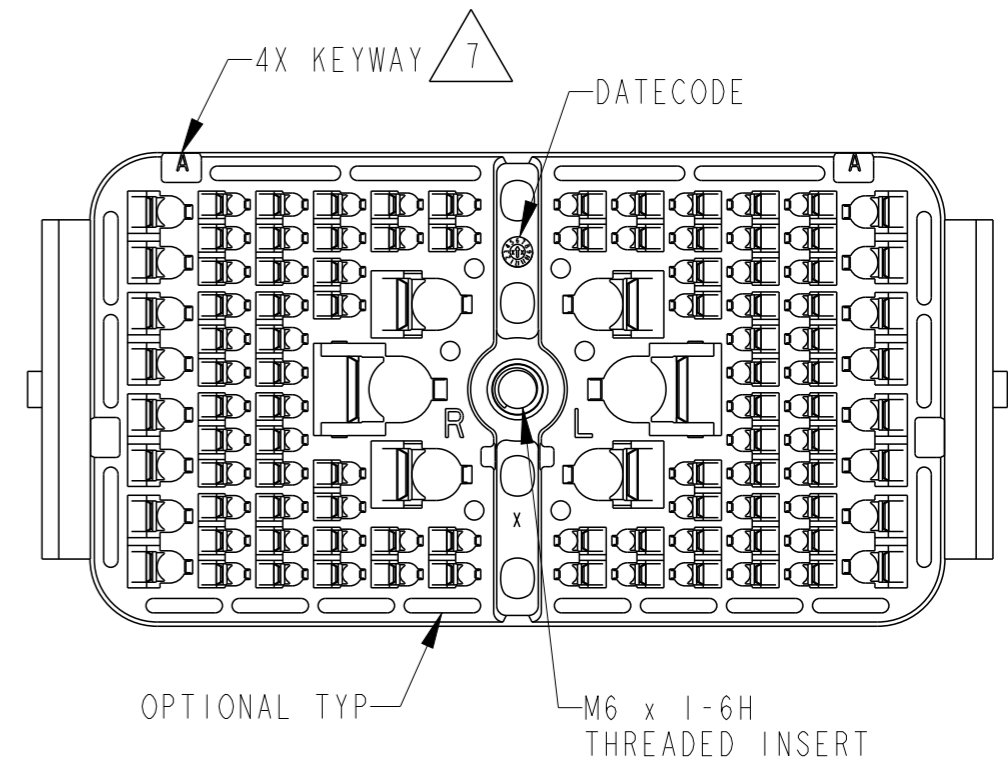
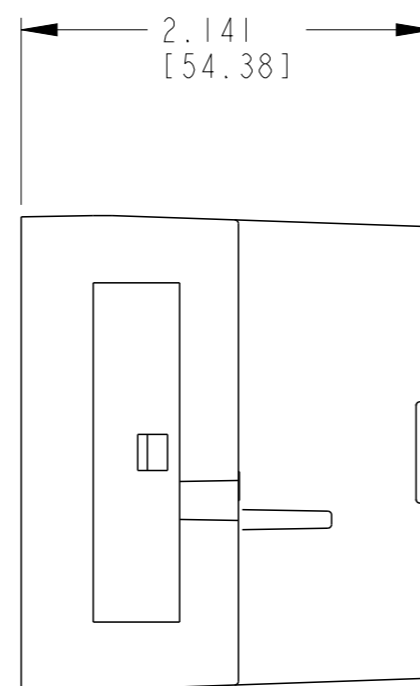
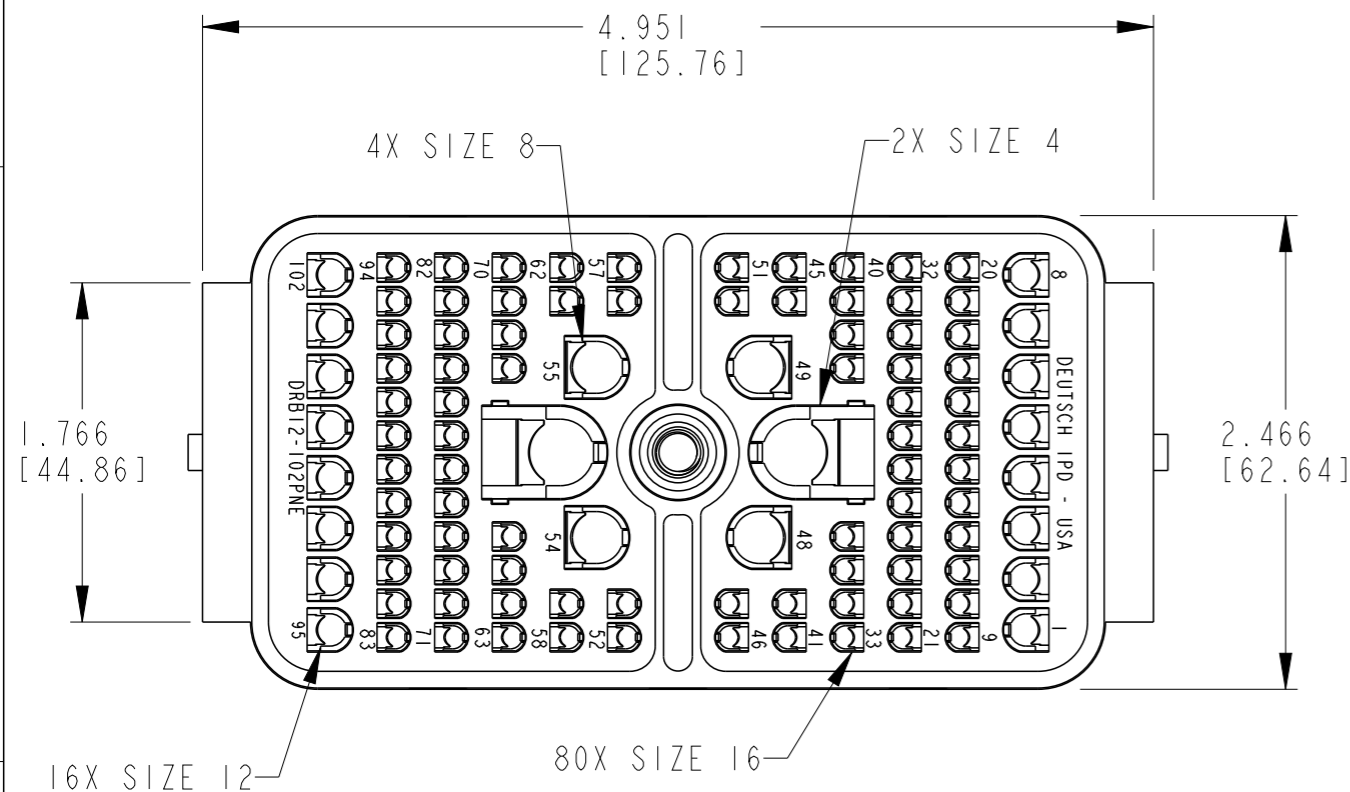


P	LTR	DESCRIPTION	DATE	DWN	APVD
NC		REDRAWN AND REPLACES PREVIOUS	-	-	-
-		RELEASES PER E.O. P17849	8-9-02	RDR	RDR
A		RELEASE PER E.O. P21368	6-4-12	RDR	RDR
AI		RELEASE PER PCN E-20-016558	18NOV2020	MR	IG

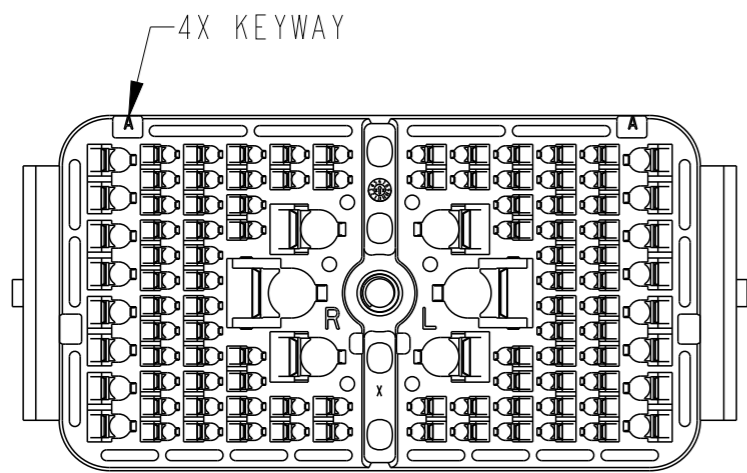


- 7 SEE SHEET 2 FOR OTHER KEY ARRANGEMENTS.
- 6 MATERIAL: RECEPTACLE: PLASTIC; INSERT: STEEL.
- 5. THIS RECEPTACLE MATES WITH DRB16-102S*(N)E-**** PLUG.
(* = A,B,C,D KEYS; **** = ALL MODIFICATIONS)
CONSULT FACTORY FOR MODS.

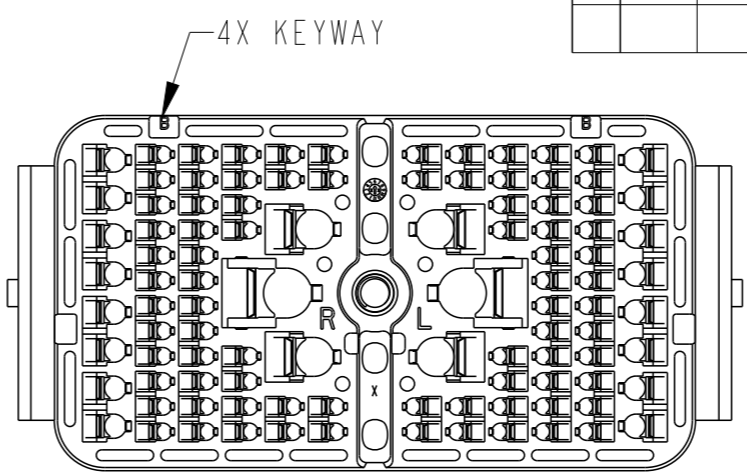
- 4. FOR CONTACTS AND WIRE PERFORMANCE AND APPLICATION CHARACTERISTICS, SEE INFORMATION DRAWING 0425-015-0000.
- 3. ITEMS SOLD SEPARATELY: SECONDARY LOCK: WB-51P*R AND WB-51P*L
INTERFACE FLANGE: DRBF-1*
- 2. DELETED.
- 1. DELETED.

THIS DRAWING IS A CONTROLLED DOCUMENT.		DWN D. MEYER 25JUL2002	TE Connectivity			
DIMENSIONS: IN [mm]		CHK P. CARNAHAN 29MAY2012				
TOLERANCES UNLESS OTHERWISE SPECIFIED:		APVD D. MEYER 01JUN2012	NAME REC 102 CONTACTS KEYS A,B,C,D NON-ENVIRONMENTAL COLOR BLACK DRB SERIES			
0 PLC ± 1 PLC ± 2 PLC ± 3 PLC ±.025 [.64] 4 PLC ± ANGLES ±30° 0' 0'' FINISH -		PRODUCT SPEC 108-151021	SIZE A3	CAGE CODE 00779	DRAWING NO C-DRB12-102PXNE	RESTRICTED TO -
MATERIAL 6		APPLICATION SPEC -	WEIGHT -	SCALE 2:1	SHEET 1 OF 2	REV AI
CUSTOMER DRAWING						

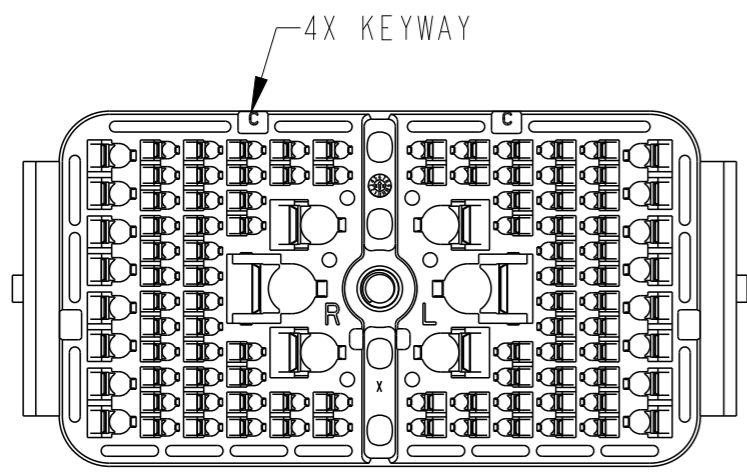
P	LTR	DESCRIPTION	DATE	DWN	APVD
-	-	SEE SHEET 1	-	-	-



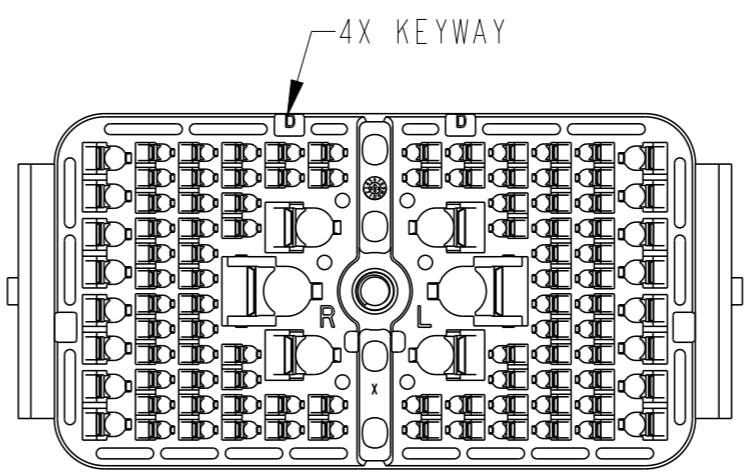
DRB12-102PANE
KEY: A



DRB12-102PBNE
KEY: B



DRB12-102PCNE
KEY: C



DRB12-102PDNE
KEY: D

THIS DRAWING IS A CONTROLLED DOCUMENT.		DWN D. MEYER 25JUL2002														
DIMENSIONS: IN [mm]		CHK P. CARNAHAN 29MAY2012														
TOLERANCES UNLESS OTHERWISE SPECIFIED:		APVD D. MEYER 01JUN2012	NAME REC 102 CONTACTS KEYS A,B,C,D NON-ENVIRONMENTAL COLOR BLACK DRB SERIES													
<table border="0"> <tr> <td>0 PLC</td> <td>±</td> </tr> <tr> <td>1 PLC</td> <td>±</td> </tr> <tr> <td>2 PLC</td> <td>±</td> </tr> <tr> <td>3 PLC</td> <td>±.025 [.64]</td> </tr> <tr> <td>4 PLC</td> <td>±</td> </tr> <tr> <td>ANGLES</td> <td>±30° 0' 0''</td> </tr> </table>		0 PLC	±	1 PLC	±	2 PLC	±	3 PLC	±.025 [.64]	4 PLC	±	ANGLES	±30° 0' 0''	PRODUCT SPEC 108-151021	SIZE A3	
0 PLC	±															
1 PLC	±															
2 PLC	±															
3 PLC	±.025 [.64]															
4 PLC	±															
ANGLES	±30° 0' 0''															
MATERIAL 6		APPLICATION SPEC -	CAGE CODE 00779	DRAWING NO DRB12-102PXNE												
FINISH -		WEIGHT -	RESTRICTED TO -													
CUSTOMER DRAWING			SCALE 2:1	SHEET 2 OF 2												
			REV A1													