

4

3

2

1

THIS DRAWING IS UNPUBLISHED.

RELEASED FOR PUBLICATION

2017

© COPYRIGHT 2017 BY -TE CONNECTIVITY

ALL RIGHTS RESERVED.

REVISIONS

P	LTR	DESCRIPTION	DATE	DWN	APVD
	B	REVISED PER PCN E-17-014656	21JUN2017	SS	DM
	B1	REVISED PER PCN-24-216230	17JUL2024	RK	CB

MIN. INSUL. O.D.	MAX. INSUL. O.D.	WIRE RANGE [mm ²] REF ONLY
.053 [1.35]	.120 [3.05]	14-20 AWG [2.0-0.50]

8 WEB SEAL HOLES MAY NOT BE COMPLETELY ALIGNED TO THE HOLES OF CONNECTOR BODY.

7 E-SEAL IS IDENTIFIED BY LETTER "E" MARK.

6 MATING TORQUE REQUIREMENT: 25-28 IN-LB [2.82-3.13 Nm].

5 SEE SHEET 2 FOR OTHER KEY ARRANGEMENTS.

4 MATERIAL- PLUG: PLASTIC; SEAL/GROMMET: RUBBER; RETAINING BOLT: STEEL.

3 THIS PLUG MATES WITH DRC10-24PX-XXXX; DRC12-24PX-XXXX; DRC13-24PX-XXXX; AND DRC14-24PX-XXXX RECEPTACLE. (X=A,B,C,D KEYS; XXXX=ALL MODIFICATIONS). CONSULT FACTORY FOR MODS.

2 FOR CONTACTS AND WIRE PERFORMANCE AND APPLICATION CHARACTERISTICS, SEE ENVELOPE DRAWING 0425-015-0000.

1 PLUG SUPPLIED WITH DUST CAP. (NOT SHOWN).

NOTES: UNLESS OTHERWISE SPECIFIED

THIS DRAWING IS A CONTROLLED DOCUMENT.

DIMENSIONS:
INCHES [mm]

MATERIAL

TOLERANCES UNLESS OTHERWISE SPECIFIED:

0 PLC	±
1 PLC	±
2 PLC	±
3 PLC	±.025 [.64]
4 PLC	±
ANGLES	±0°30'0"
FINISH	-

DWN D.MEYER 08APR2002

CHK JAIME C.APOSTOL 08AUG2011

APVD D.MEYER 08AUG2011

PRODUCT SPEC

APPLICATION SPEC

WEIGHT

CUSTOMER DRAWING

NAME
PLUG 24 SIZE 16 KEYS: A,B,C,D
E SEAL COLOR: BLACK
DRC SERIES

SIZE	CAGE CODE	DRAWING NO	RESTRICTED TO
A3	4AFU8	©-DRC16-24SXE	-

SCALE 1.5:1 SHEET 1 OF 2 REV B1

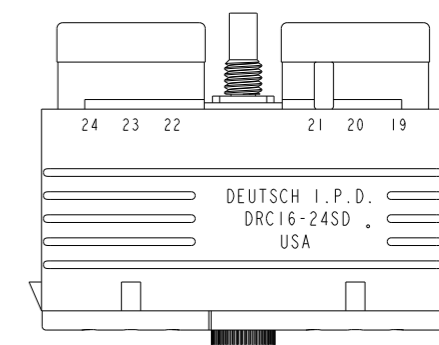
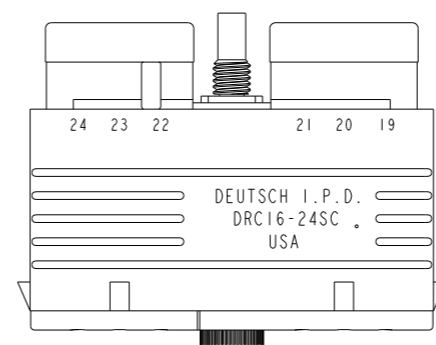
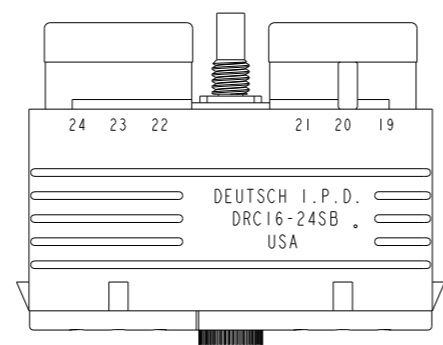
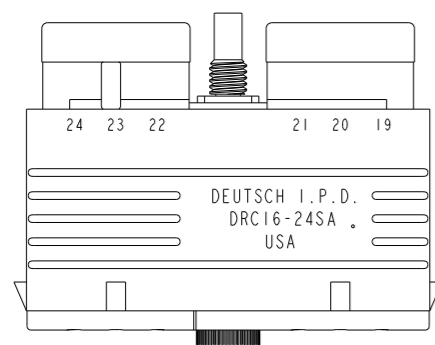
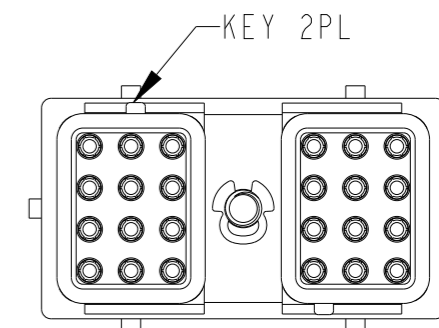
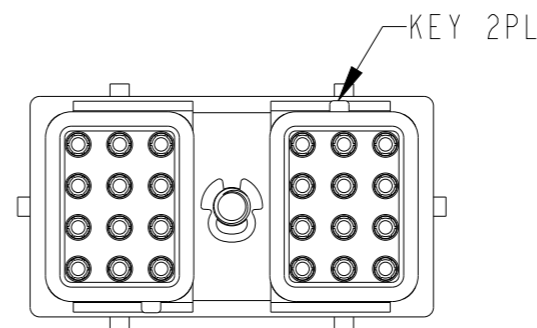
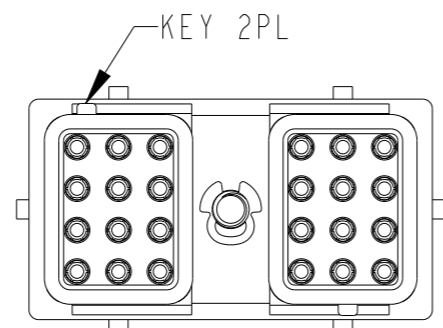
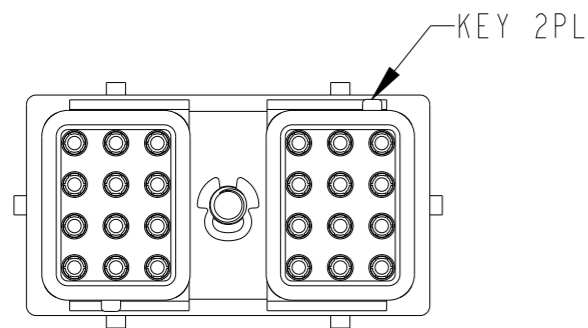
TE INTERNAL PN	DEUTSCH PN
DRC16-24SAE	DRC16-24SAE
DRC16-24SBE	DRC16-24SBE
DRC16-24SCE	DRC16-24SCE
DRC16-24SDE	DRC16-24SDE

TE Connectivity

1470-19 (3/13)

REVISIONS

P	LTR	DESCRIPTION	DATE	DWN	APVD
	-	SEE SHEET 1	-	-	-



DRC16-24SAE
KEY: -A-

DRC16-24SBE
KEY: -B-

DRC16-24SCE
KEY: -C-

DRC16-24SDE
KEY: -D-

THIS DRAWING IS A CONTROLLED DOCUMENT.		DWN D.MEYER 08APR2002			
DIMENSIONS: INCHES [mm]		CHK JAIME C. APOSTOL 08AUG2011			
TOLERANCES UNLESS OTHERWISE SPECIFIED:		APVD D.MEYER 08AUG2011	NAME PLUG 24 SIZE 16 KEYS: A,B,C,D E SEAL COLOR: BLACK DRC SERIES		
		PRODUCT SPEC -	RESTRICTED TO		
MATERIAL		APPLICATION SPEC -	SIZE A3	CAGE CODE 4AFU8	DRAWING NO DRC16-24SXE
FINISH		WEIGHT -	SCALE 1:1	SHEET 2 OF 2	REV B1
		CUSTOMER DRAWING			