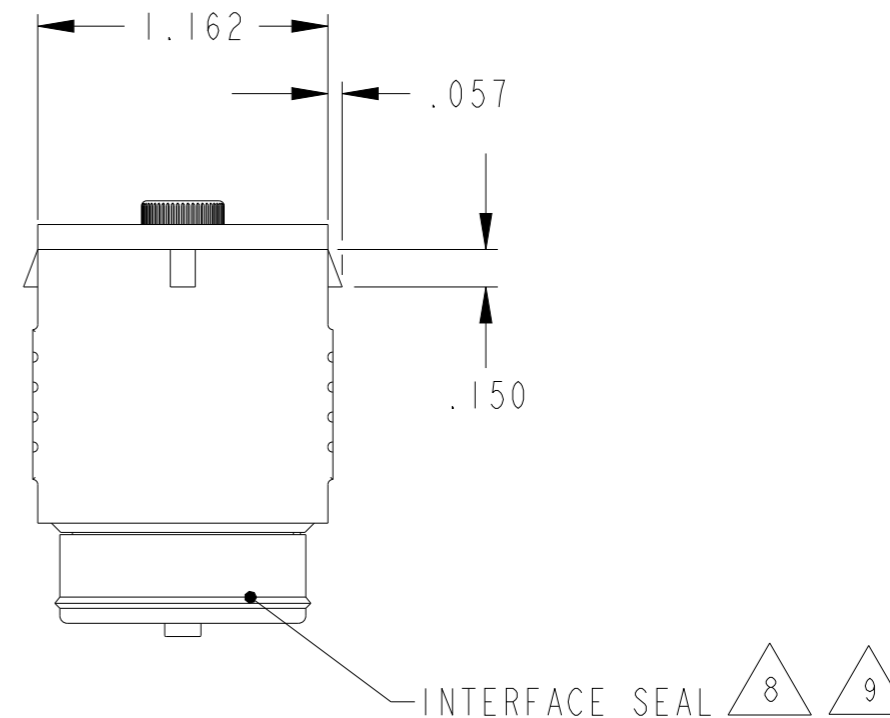
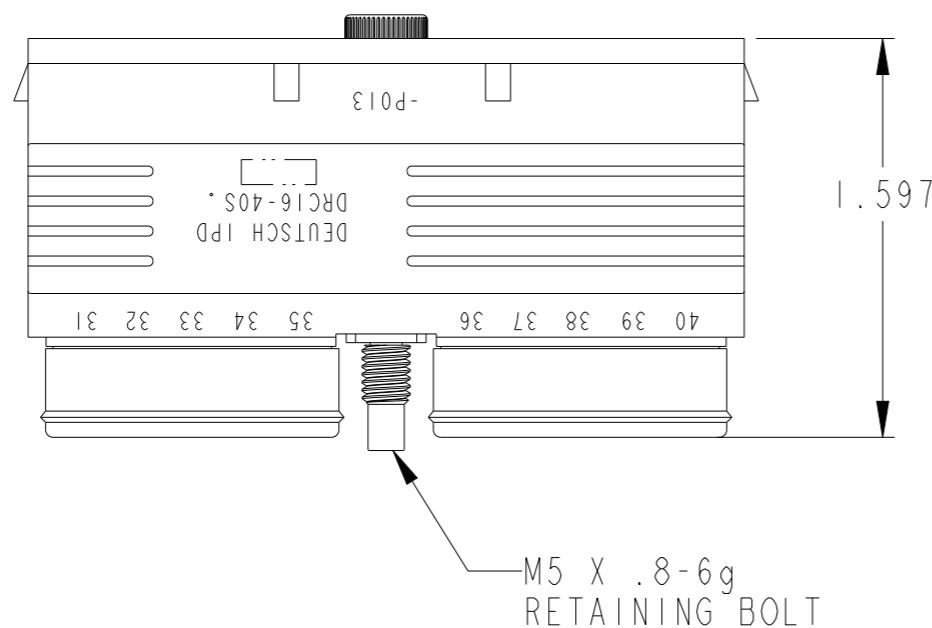
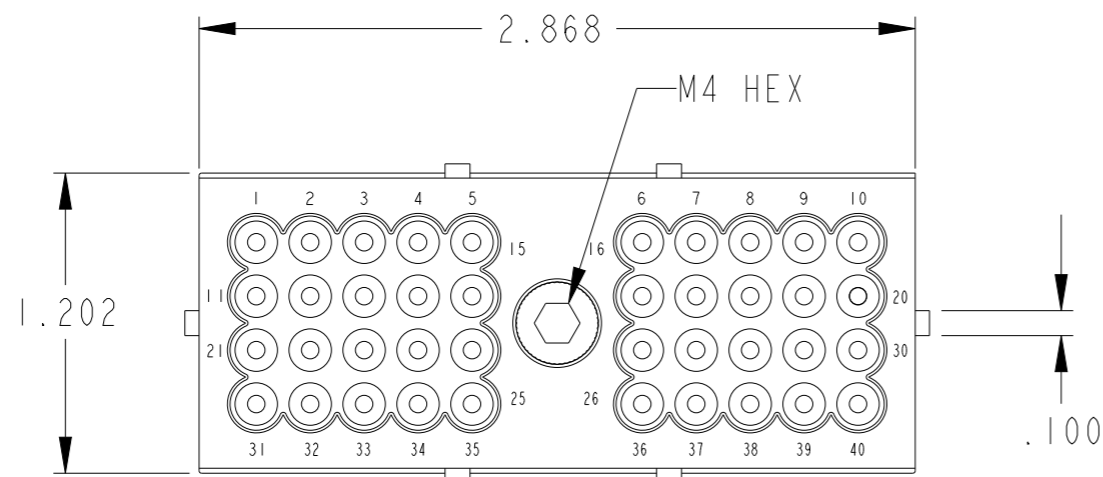


P	LTR	DESCRIPTION	DATE	DWN	APVD
	A	REVISED PER E.O. P17728	15APR02	-	RDR
	B	REVISED PER E.O. P19166	21FEB06	-	RDR
	B1	REVISED PER PCN-24-216230	23JUL2024	RK	CB



- 7. MATERIAL- PLUG: PLASTIC (BLACK); SEAL/GROMMET: RUBBER; BOLT/CLIP: STEEL.
- 6. MATING TORQUE REQUIREMENT: 25-28 in-lb (2.82-3.16 Nm).
- 5. THIS PLUG MATES WITH DRC10-40P-\*\*\*\*; DRC12-40P\*E-\*\*\*\*; DRC13-40P\*-\*\*\*\*; DRC14-40P\*E-\*\*\*\*. CONSULT FACTORY FOR MODIFICATIONS.  
\* = A, B, C, D KEYS  
\*\*\*\* = MODIFICATIONS

(B1) 9 WEB SEAL HOLES MAY NOT BE COMPLETELY ALIGNED TO THE HOLES OF CONNECTOR BODY

8. PART MODIFICATION: INTERFACE SEAL IS BONDED TO PLUG HOUSING.

4. FOR CONTACTS AND WIRE PERFORMANCE AND APPLICATION CHARACTERISTICS, SEE ENVELOPE DRAWING 0425-015-0000.

- 3. PLUG SUPPLIED WITH DUST CAP. (NOT SHOWN).
- 2. DIMENSION TOLERANCE: ±.025 [.635].
- 1. DIMENSIONS ARE IN INCHES [mm].

CONTACT SIZE	MIN. INSUL. OD [mm]	MAX. INSUL. OD [mm]	WIRE RANGE [mm <sup>2</sup> ] REF ONLY
16	.100 [2.54]	.134 [3.40]	14-18 AWG [2.0-.75]

THIS DRAWING IS A CONTROLLED DOCUMENT.		DWN D. MEYER	12APR02	TE Connectivity			
DIMENSIONS: INCHES [mm]		CHK -	14FEB06				
TOLERANCES UNLESS OTHERWISE SPECIFIED:		APVD -	21FEB06	NAME PLUG 40 SIZE 16 -P013 MOD DRC SERIES			
0 PLC ±- 1 PLC ±- 2 PLC ±- 3 PLC ±.025 [.635] 4 PLC ±- ANGLES ±- FINISH -		PRODUCT SPEC -	APPLICATION SPEC -				
MATERIAL -	FINISH -	WEIGHT -	CUSTOMER DRAWING	SIZE A3	CAGE CODE 00779	DRAWING NO DRC16-40S-P013	RESTRICTED TO -
				SCALE 1.3:	SHEET 1 OF 1	REV B1	