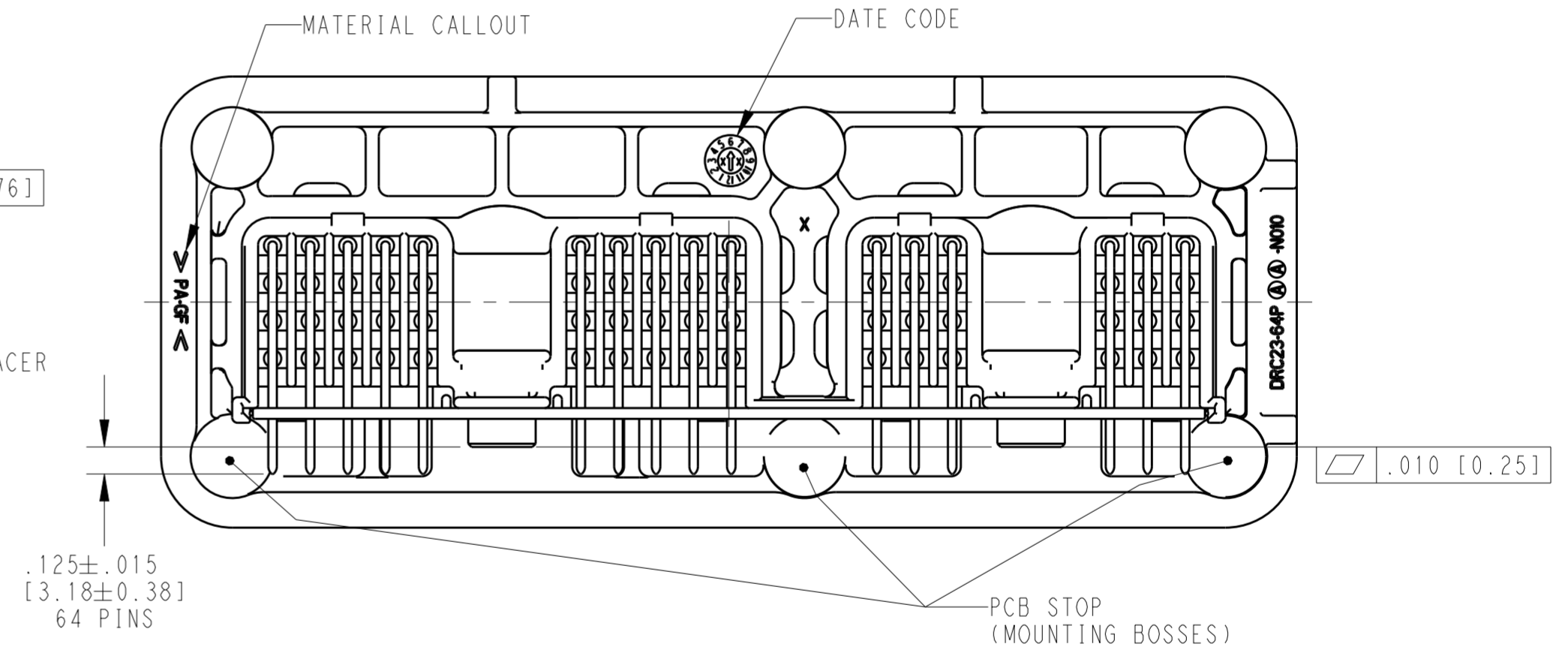
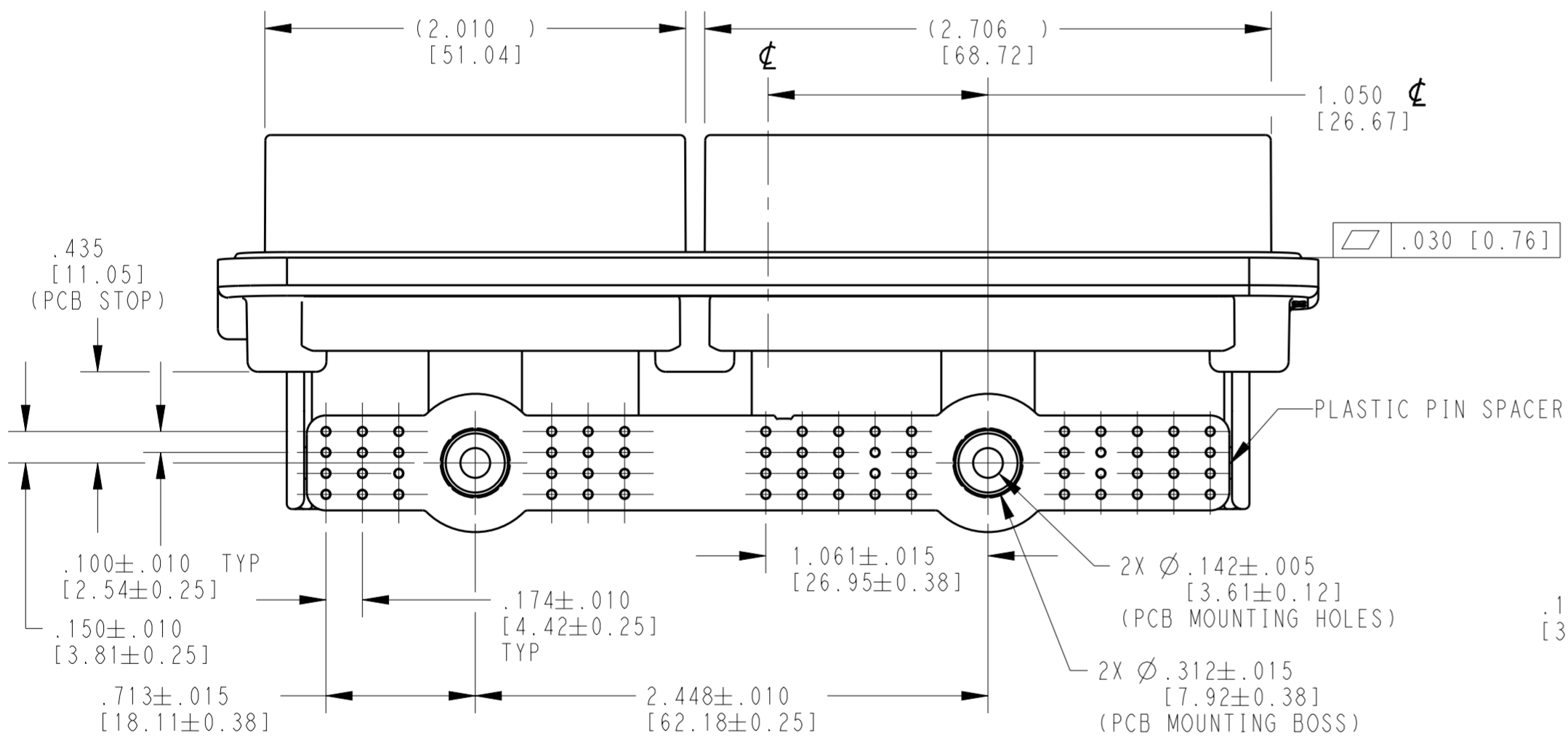
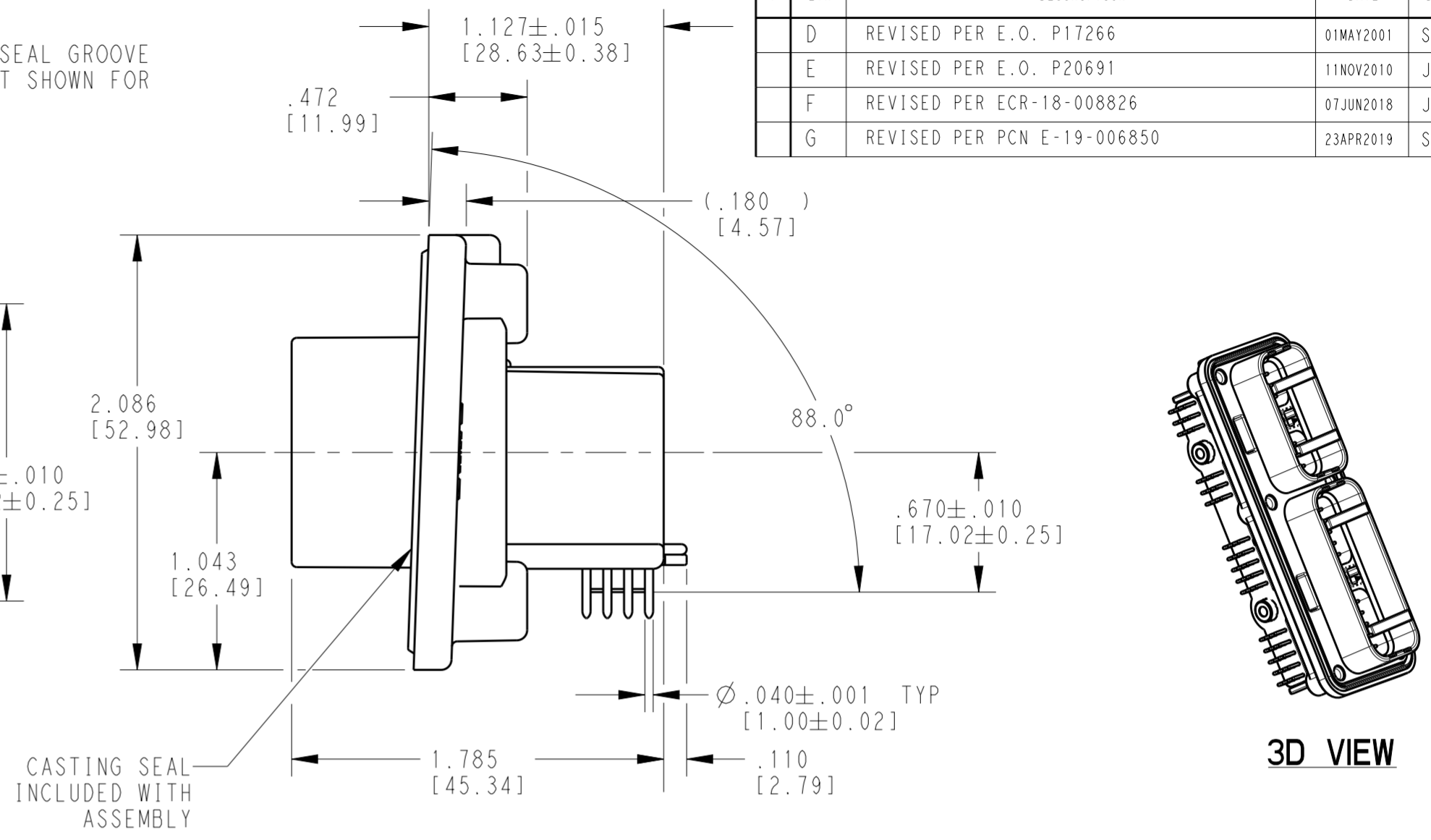
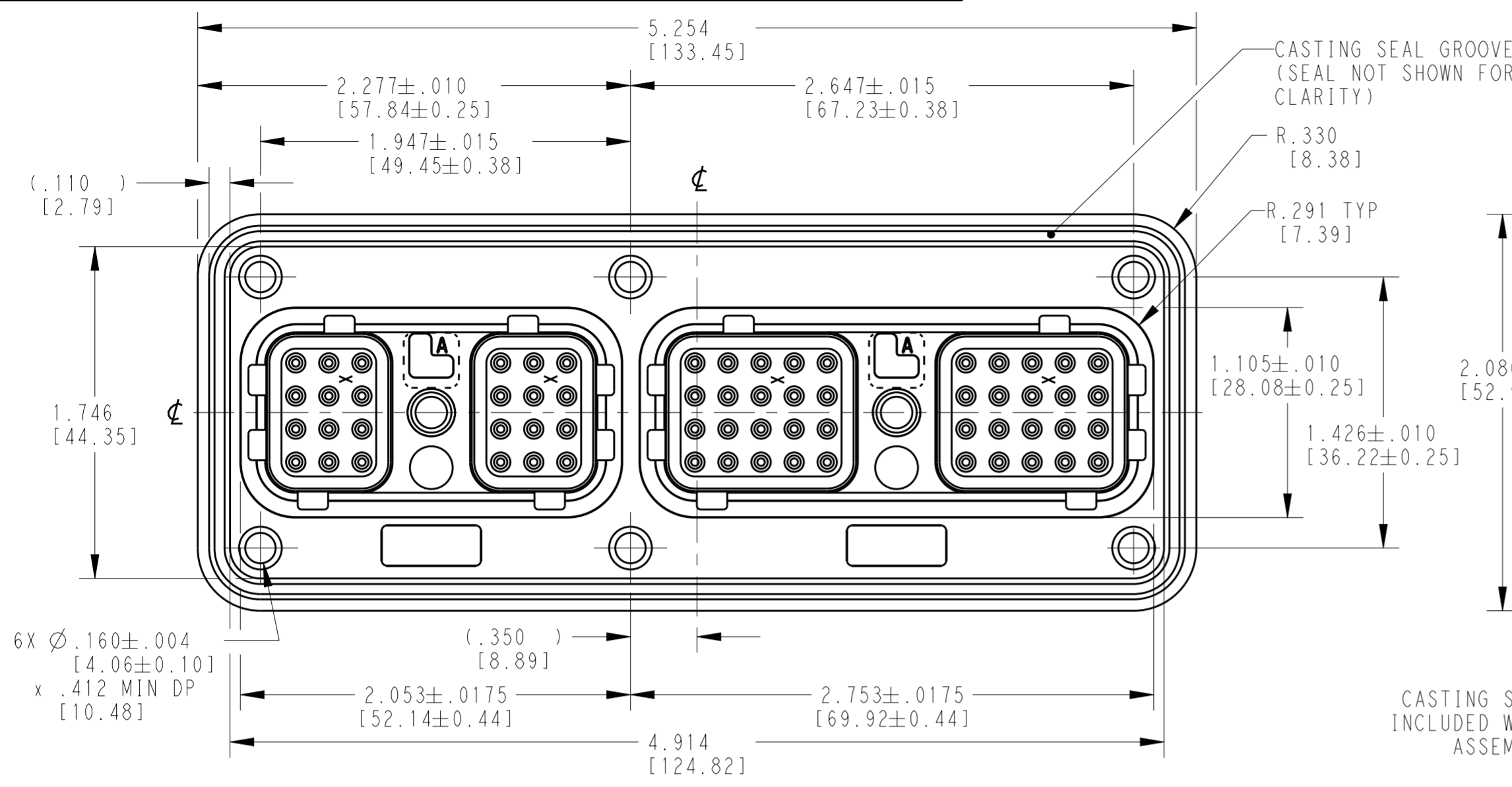


THIS DRAWING IS UNPUBLISHED
 RELEASED FOR PUBLICATION 2018
 © COPYRIGHT 2000 BY TE CONNECTIVITY ALL RIGHTS RESERVED.

REVISIONS					
P	LTR	DESCRIPTION	DATE	DWN	APVD
D		REVISED PER E.O. P17266	01MAY2001	ST	CW
E		REVISED PER E.O. P20691	11NOV2010	JA	RDR
F		REVISED PER ECR-18-008826	07JUN2018	JA	DM
G		REVISED PER PCN E-19-006850	23APR2019	SS	DM



5. CONNECTOR TO BE MOUNTED USING THREAD FORMING SCREWS.
 EXAMPLE OF MOUNTING SCREW FLANGE:
 #8 X 16: 15-20 IN-LB [1.69-2.26 NM].
 EXAMPLE OF MOUNTING SCREW PCB:
 M4 X 1.75 OR #7 X 18: 10-15 IN-LB [1.13-1.69 NM].

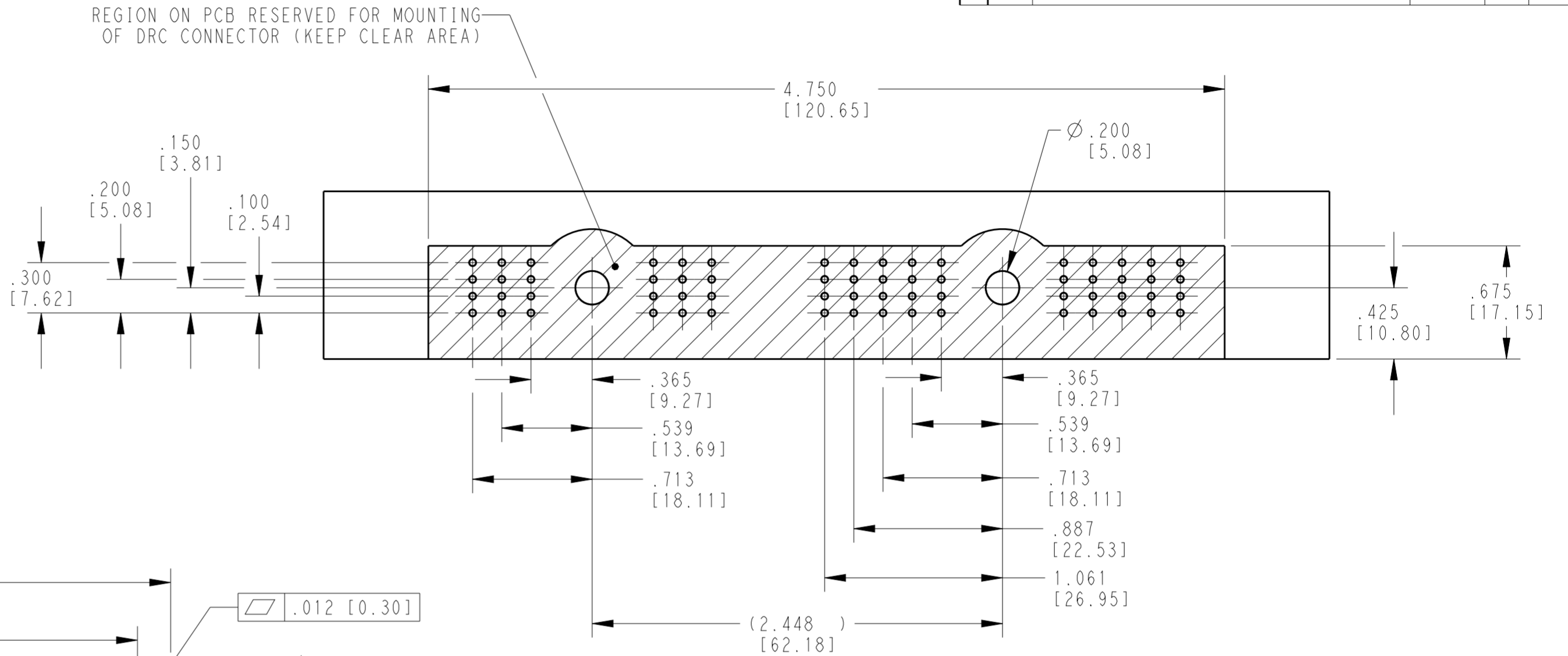
- 4 MATERIAL: RECEPTACLE: PA66 GF10 (BLACK);
 INSERTS: STEEL; SEAL: VMQ (RED-ORANGE)
- 3. RECEPTACLES MATES WITH: DRC26-40SA AND DRC26-24SA.
- 2 CONTACT PLATING: ENGAGEMENT END - GOLD PLATED
 P.C.B. END - TIN PLATED

1. RECEPTACLE IS SUPPLIED WITH DUST CAP (NOT SHOWN).

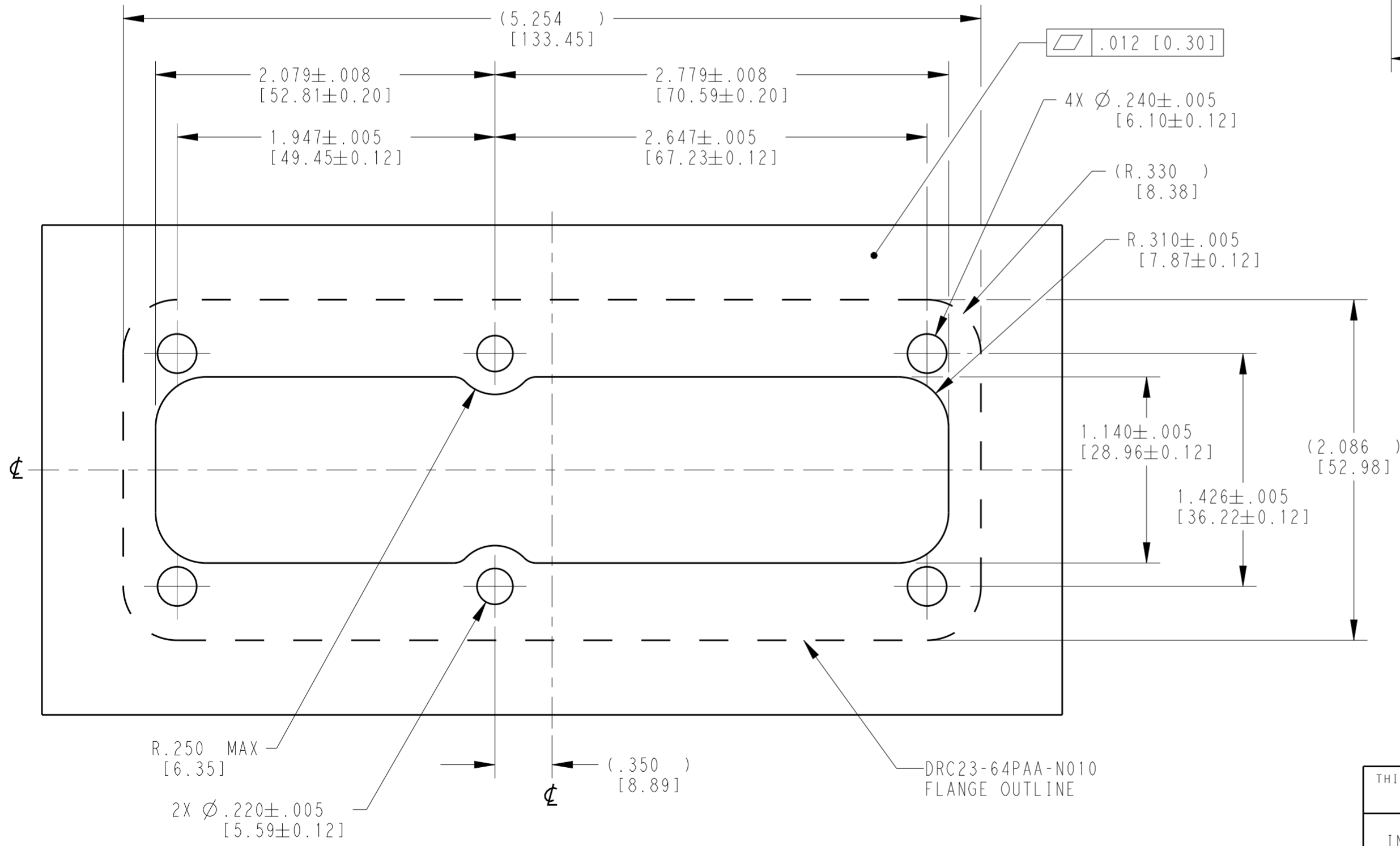
NOTES:

THIS DRAWING IS A CONTROLLED DOCUMENT.		DWN C. WOODRUFF 04 JAN 2001	TE INTERNAL PN		DEUTSCH PN
DIMENSIONS: INCHES [mm]		CHK P. CARNAHAN 10 NOV 2010	DRC23-64PAA-N010		DRC23-64PAA-N010
TOLERANCES UNLESS OTHERWISE SPECIFIED:		APVD D. MEYER 11 NOV 2010	TE Connectivity		
0 PLC ±		PRODUCT SPEC	NAME CUSTOM MOUNT 64 PIN DRC23-40P KEY A AND DRC23-24P KEY A MOD -N010, DRC SERIES		
1 PLC ±		APPLICATION SPEC	SIZE	CAGE CODE	DRAWING NO
2 PLC ±		RESTRICTED TO	A2	4AFU8	C=DRC23-64PAA-N010
3 PLC ±.025 [0.64]		WEIGHT	147.50g		
4 PLC ±		CUSTOMER DRAWING	SCALE 3:2 SHEET 1 OF 2 REV G		
ANGLES ±0° 30' 0"					
FINISH					

REVISIONS				
P	LTR	DESCRIPTION	DATE	APVD
-		SEE SHEET 1	-	-



MOUNTING DETAIL ON CASTING
 SURFACE FINISH TO BE $\sqrt{32}$ OR BETTER



NOTES: SEE SHEET -1-

THIS DRAWING IS A CONTROLLED DOCUMENT.		DWN C. WOODRUFF 04 JAN 2001	TE Connectivity	
		CHK P. CARNAHAN 10 NOV 2010		
DIMENSIONS: INCHES [mm]		APVD D. MEYER 11 NOV 2010	NAME CUSTOM MOUNT 64 PIN DRC23-40P KEY A AND DRC23-24P KEY A MOD -N010, DRC SERIES	
TOLERANCES UNLESS OTHERWISE SPECIFIED: 0 PLC ± 1 PLC ± 2 PLC ± 3 PLC ±.025 [0.64] 4 PLC ± ANGLES ±0° 30' 0"		PRODUCT SPEC	SIZE A2	
MATERIAL		APPLICATION SPEC	CAGE CODE 4AFU8	DRAWING NO. DRC23-64PAA-N010
		WEIGHT 147.50g	RESTRICTED TO -	
		CUSTOMER DRAWING	SCALE 29:30	SHEET 2 OF 2
			REV G	