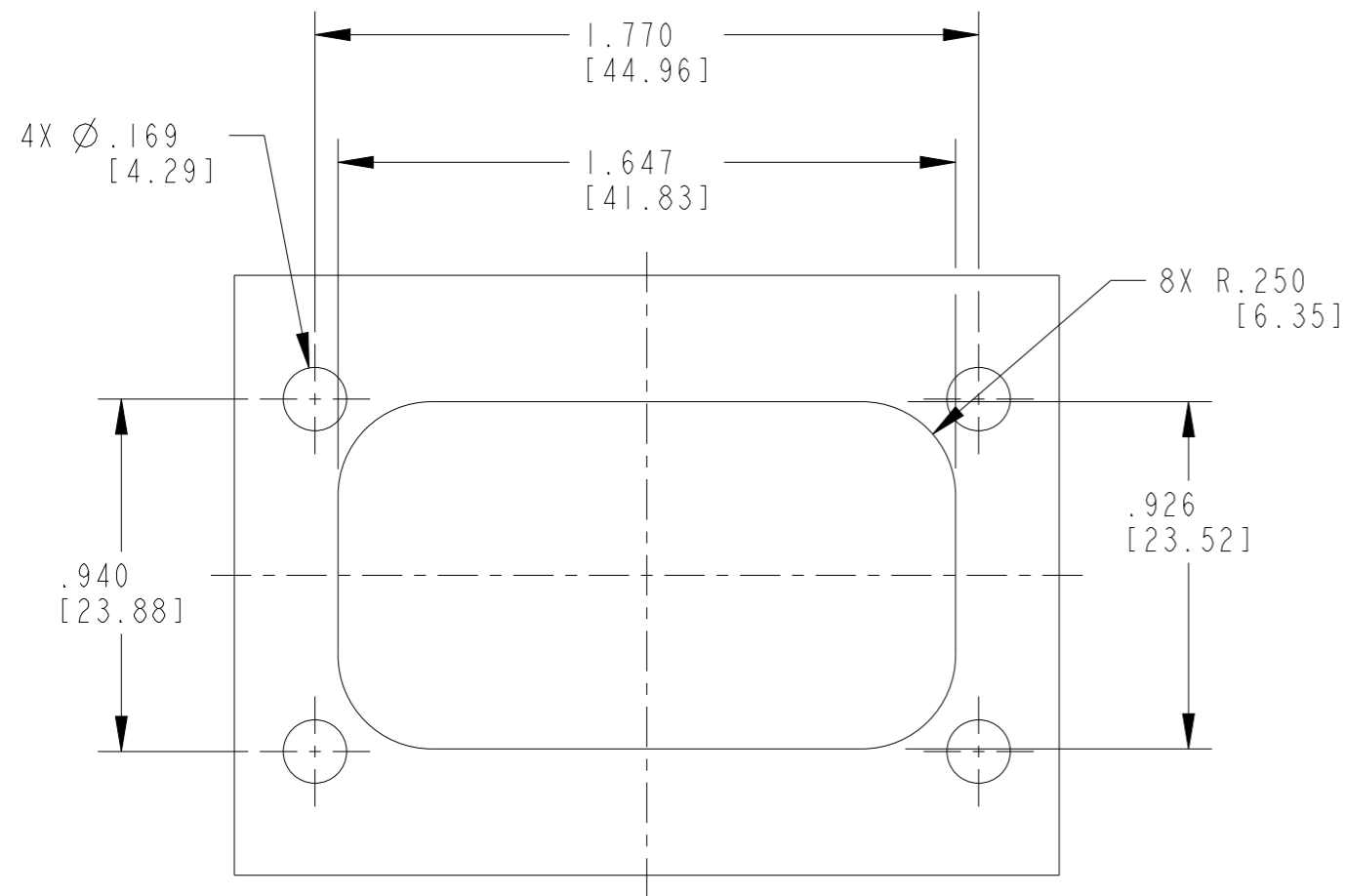
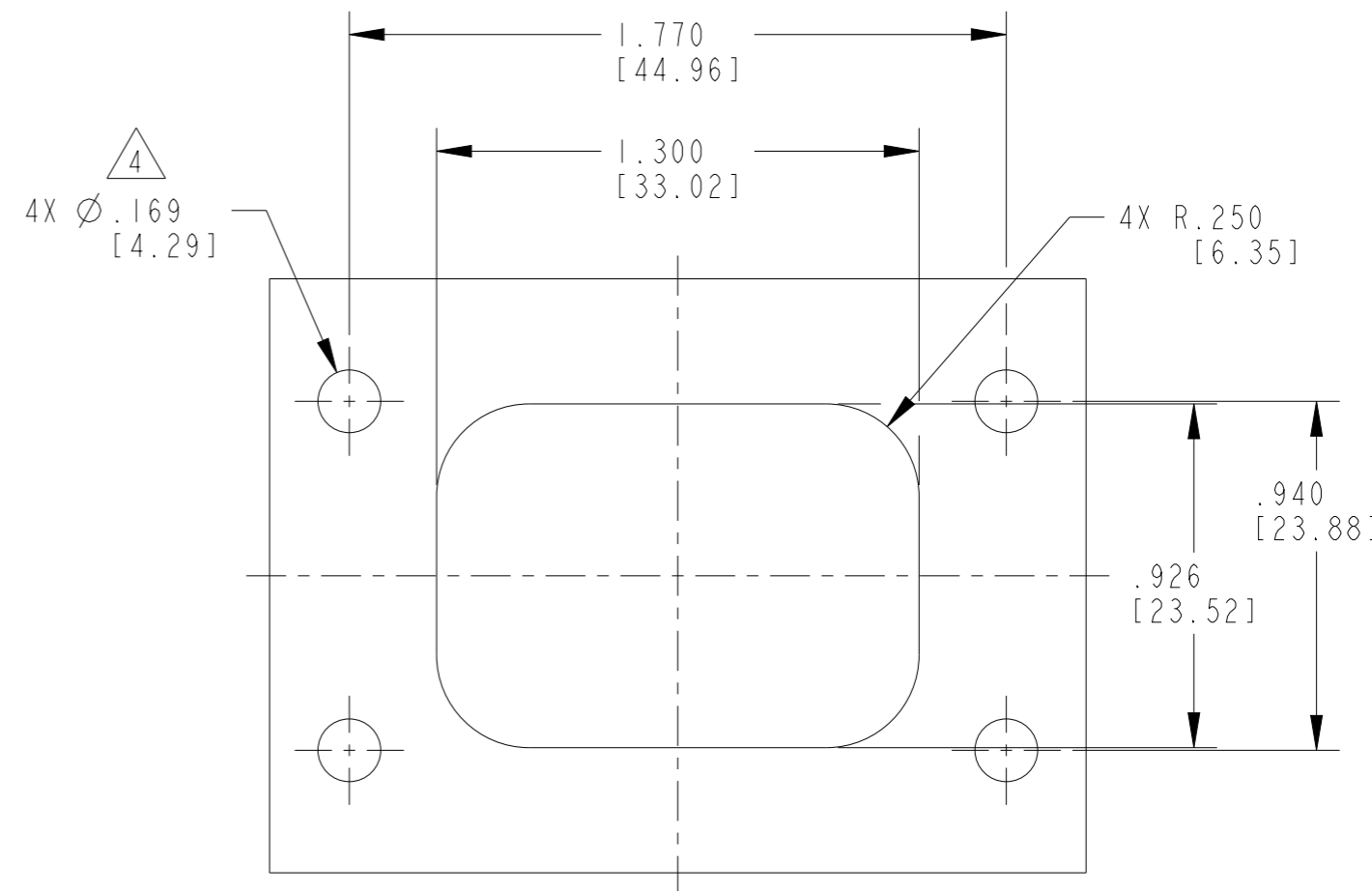


P	LTR	DESCRIPTION	DATE	DWN	APVD
-		SEE SHEET 1	-	-	-

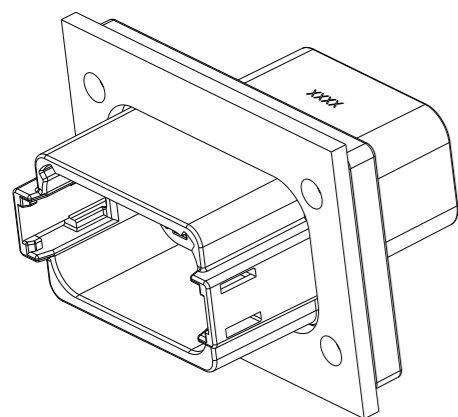


**RECOMENDED
PANEL CUTOUT FRONT**

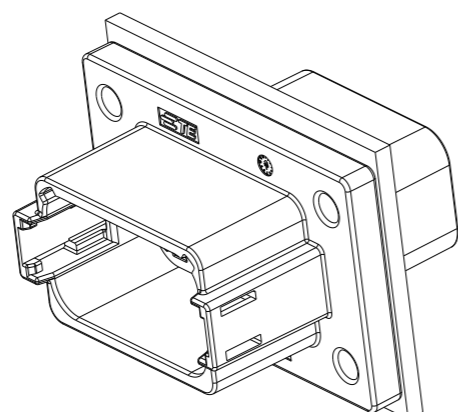


**RECOMENDED
PANEL CUTOUT REAR**

FOR REFERENCE ONLY



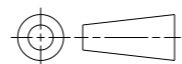
FRONT MOUNT



REAR MOUNT

THIS DRAWING IS A CONTROLLED DOCUMENT.

DIMENSIONS:
INCHES [mm]



TOLERANCES UNLESS
OTHERWISE SPECIFIED:

- 0 PLC ±-
- 1 PLC ±-
- 2 PLC ±-
- 3 PLC ±.025 [0.64]
- 4 PLC ±-
- ANGLES ±0° 30' 0"
- FINISH -

MATERIAL

DWN 10APR2019
MANJUNATH GM

CHK 10AUG2015
D MEYER

APVD 10AUG2015
D MEYER

PRODUCT SPEC
108-151009

APPLICATION SPEC
114-151009

WEIGHT -

CUSTOMER DRAWING



NAME
RECEPTACLE, 12PIN -CL06 MOD
DT SERIES

SIZE CAGE CODE DRAWING NO RESTRICTED TO

A3 00779 C=DT04-12PA-CL06

SCALE 5:1 SHEET 2 OF 2 REV B2